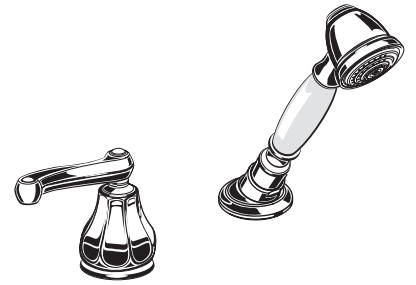


American Standard

DECK MOUNT TUB FILLERS

**DAZZLE DIVERTER & PERSONAL
SHOWER TRIM KITS**

Installation Instructions T028.990



Certified to comply with ANSI A112.18.1
U.S. Patent No. D403,750

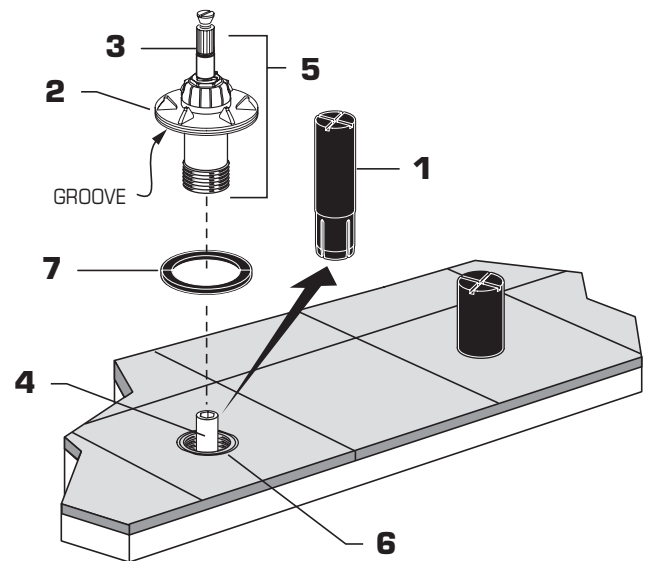
M968499 Rev. 1.3

*Thank you for selecting American-Standard...the benchmark
of fine quality for over 100 years.*

*To ensure that your installation proceeds smoothly—please
read these instructions carefully before you begin.*

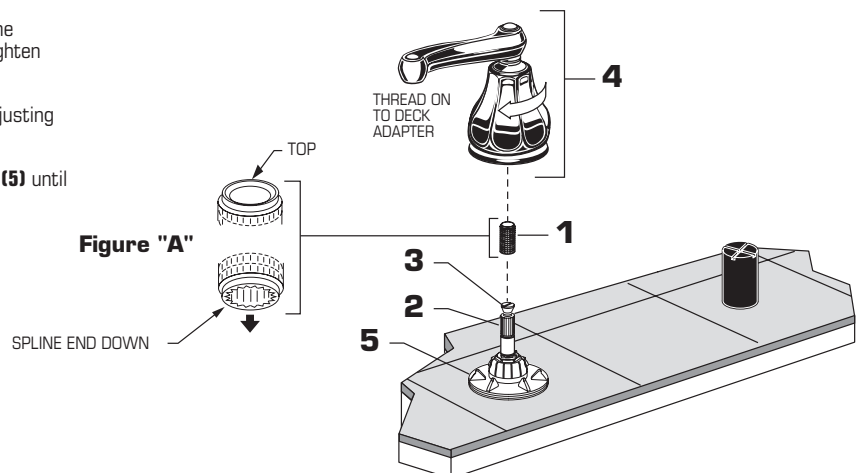
1 INSTALL HANDLE ADAPTER

- Remove DIVERTER GUARD (1) from valve.
- Place the ESCUTCHEON SEAL (7) into groove of DECK ADAPTER (2).
- Align the HANDLE STEM (3) with the SLEEVE (4) as necessary.
- Thread the HANDLE ADAPTER (5) into the VALVE BODY (6) until the DECK ADAPTER (2) contacts tight against the finished mounting surface.



2 INSTALL HANDLES

- Turn VALVE STEM (2) fully clockwise (Tub fill position).
- Push ADAPTER (1) on VALVE STEM (2), so that the hole of the ADAPTER (1) without a spline is facing up. See figure "A". Tighten STEM SCREW (3) to secure ADAPTER (1).
- Find correct position of LEVER HANDLE ASSEMBLY (4) by adjusting male teeth on ADAPTER (1) to female teeth in HANDLE (4).
- Thread LEVER HANDLE ASSEMBLY (4) onto DECK ADAPTER (5) until snug against mounting surface.



3 INSTALL HAND SHOWER

- Unscrew the HOLDER (1) from the SHOWER ESCUTCHEON (2). Slip the SHOWER HOSE (3) through the SHOWER ESCUTCHEON (2) and the HOLDER (1).

- Pull out the SLEEVE GUARD (6) and HOSE (7). Unthread the SLEEVE GUARD (6) from the HOSE END (8) connection. **Be careful not to allow the HOSE (7) to fall back through the SLEEVE (9).**

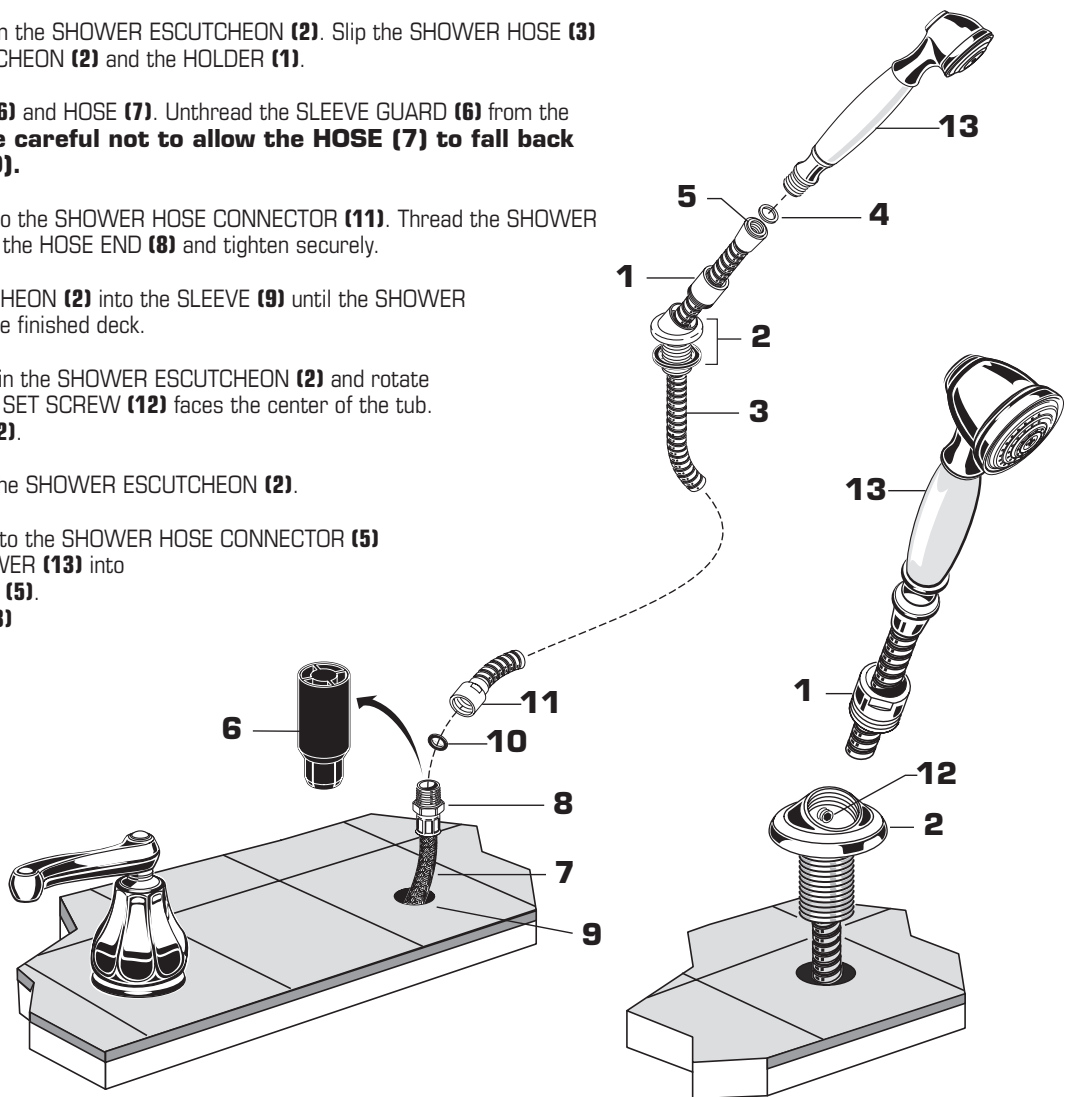
- Insert SEAL WASHER (10) into the SHOWER HOSE CONNECTOR (11). Thread the SHOWER HOSE CONNECTOR (11) onto the HOSE END (8) and tighten securely.

- Thread the SHOWER ESCUTCHEON (2) into the SLEEVE (9) until the SHOWER ESCUTCHEON (2) contacts the finished deck.

- Loosen the SET SCREW (12) in the SHOWER ESCUTCHEON (2) and rotate the ESCUTCHEON (2) so that SET SCREW (12) faces the center of the tub.
- Retighten the SET SCREW (12).

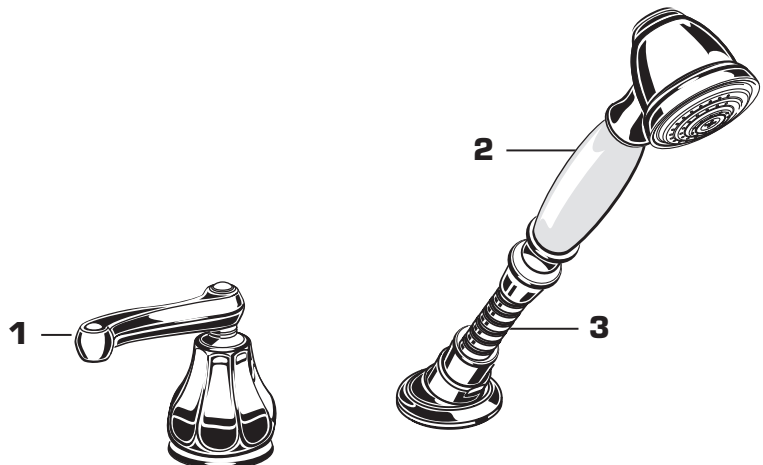
Thread the HOLDER (1) into the SHOWER ESCUTCHEON (2).

- Insert a SEAL WASHER (4) into the SHOWER HOSE CONNECTOR (5) and hand tighten HAND SHOWER (13) into SHOWER HOSE CONNECTOR (5).
- Place the HAND SHOWER (13) into the HOLDER (1).



4 TEST INSTALLED DIVERTER

- Turn DIVERTER VALVE (1) fully clockwise (Tub fill position).
- Turn on control valves and check all connections for leaks. With DIVERTER VALVE (1) in clockwise position, flow should only come from tub spout.
- Lift HANDSHOWER (2) from holder, direct spray into tub, turn DIVERTER VALVE (1) fully counter-clockwise to check HANDSHOWER (2) and HOSES (3) for leaks. With DIVERTER VALVE (1) in counter-clockwise position, flow should only come from HANDSHOWER (2).
- Turn control valves "off."



5 CARE INSTRUCTIONS:

DO: SIMPLY RINSE THE PRODUCT CLEAN WITH CLEAR WATER. DRY WITH A SOFT COTTON FLANNEL CLOTH.
DO NOT: DO NOT CLEAN THE PRODUCT WITH SOAPS, ACID, POLISH, ABRASIVES, HARSH CLEANERS, OR A CLOTH WITH A COARSE SURFACE.