

*American Standard*

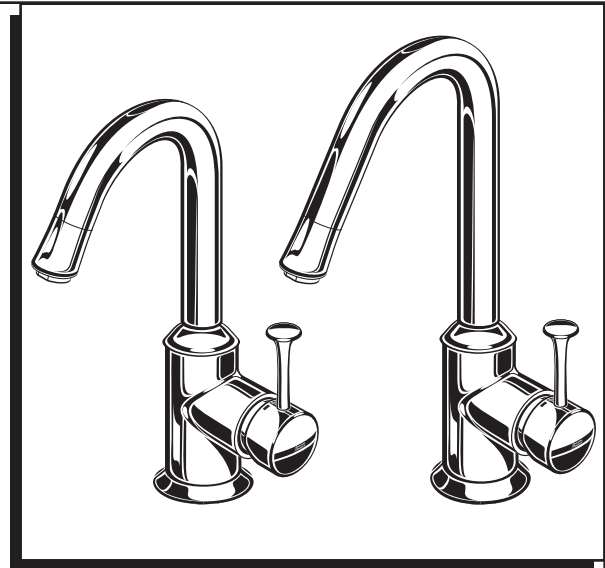
## Installation Instructions

### PEKOE

SINGLE FUNCTION KITCHEN FAUCET 4332.001.XXX  
SINGLE FUNCTION BAR FAUCET 4332.400.XXX

*Thank you for selecting American-Standard...the benchmark of fine quality for over 100 years.*

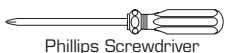
*To ensure that your installation proceeds smoothly...please read these instructions carefully before you begin.*



Certified to comply with ANSI A1 12.18.1M

M968576

#### Recommended Tools



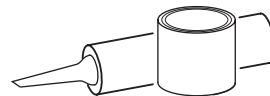
Phillips Screwdriver



Channel Locks



Adjustable Wrench



Plumbers' Putty or Caulking

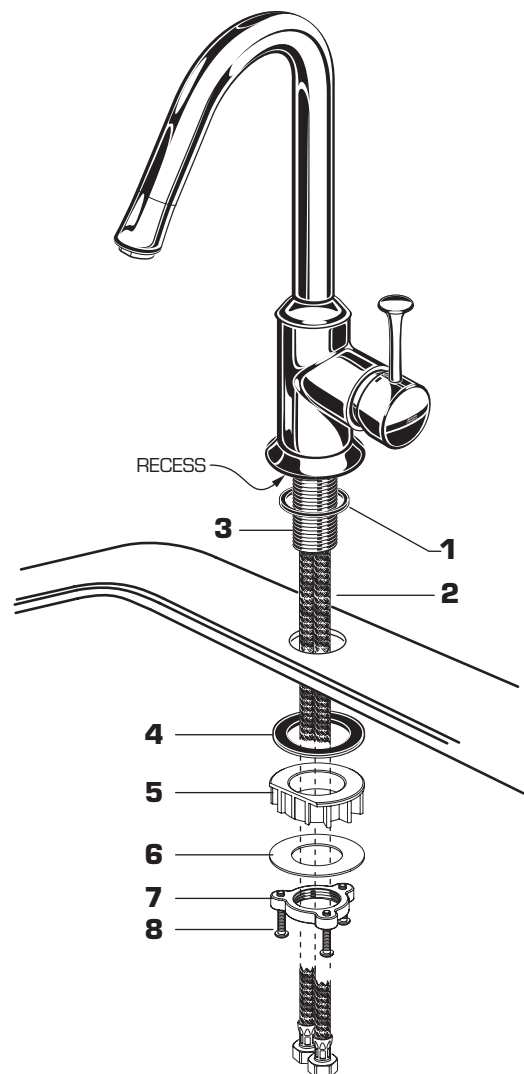


Tubing Cutter

## 1 INSTALL FITTING (4332.001/.400)

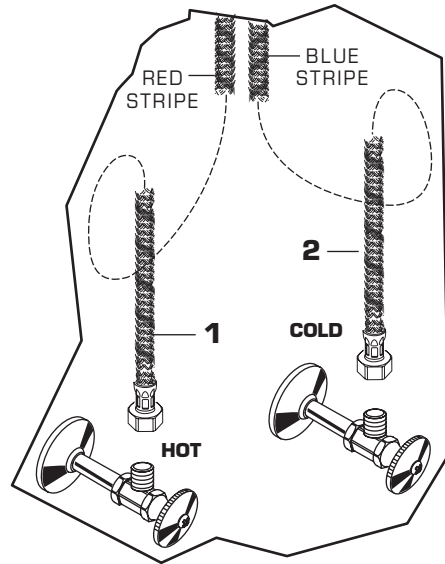
**CAUTION** Turn off hot and cold water supplies before beginning.

- Make certain the SEAL (1) is properly seated in recess of faucet body.
- Insert supply HOSES (2) and SHANK (3) through center hole of sink or mounting surface.
- Assemble RUBBER WASHER (4), PLASTIC WASHER (5), METAL WASHER (6) and threaded LOCKNUT (7) onto SHANK (3) from underside of sink or mounting surface. Hand tighten LOCKNUT (7) and check that faucet is centered.
- Use a screwdriver to tighten SCREWS (8) on LOCKNUT (7). Work your way around LOCKNUT (7), tightening the screws slightly each time until all are snug to ensure even pressure.



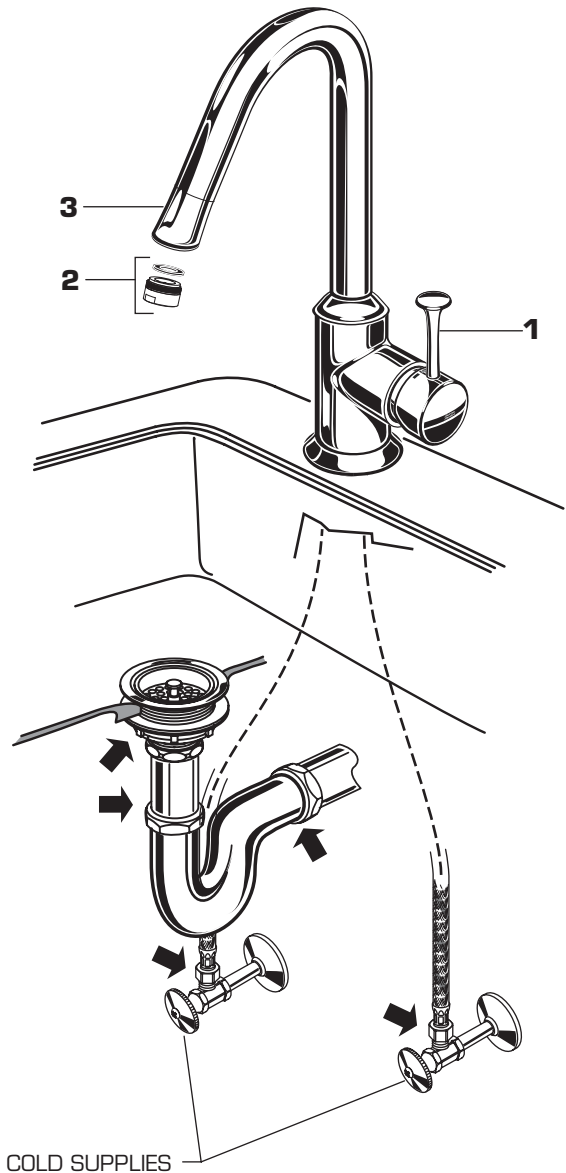
## 2 MAKE WATER SUPPLY CONNECTIONS

- Turn off hot and cold water supplies before beginning.
- Connect FLEXIBLE SUPPLIES **(1, 2)** directly to wall supplies. Connection on fitting supplies are 3/8" compression. Connect left supply (Marked with a Red Stripe) to Hot and right supply (Marked with Blue Stripe) to Cold wall supply. Use adjustable wrench to tighten connections. Do not over tighten.
- Faucet supplies are 27-1/2" long from faucet base.
- *Note: If additional supply length is required, installer must purchase additional parts separately.*
- *Important: If SUPPLY HOSES (1, 2) are too long, loop as illustrated to avoid kinking.*



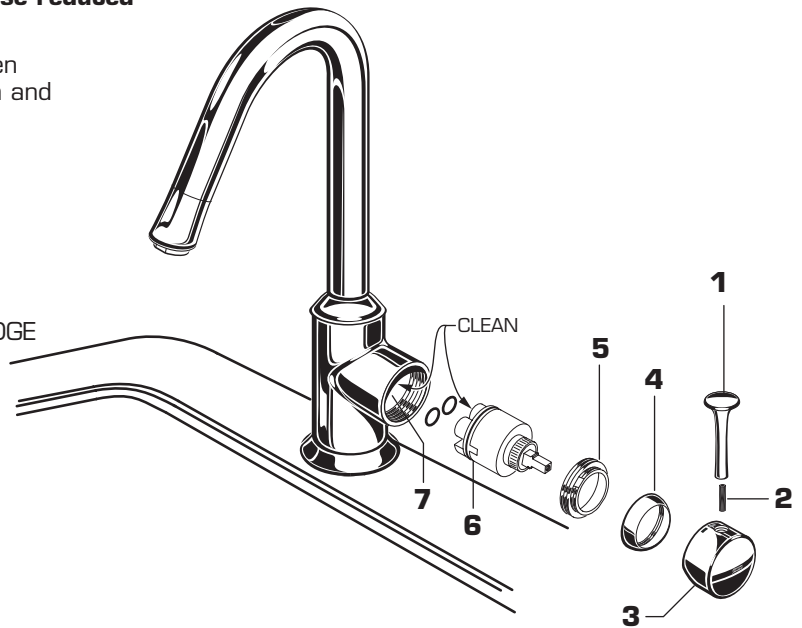
## 3 TEST INSTALLED FAUCET

- Move HANDLE **(1)** into "off" position.
- Unthread AERATOR **(2)** from SPOUT **(3)**.
- Turn on water supplies and check connections for leaks. ➡
- Operate HANDLE **(1)** on and off, hot and cold to flush water lines thoroughly. Replace AERATOR **(2)**.
- Check all drain connections for leaks. ➡
- Move HANDLE **(1)** to "off" position.



## 4 SERVICE

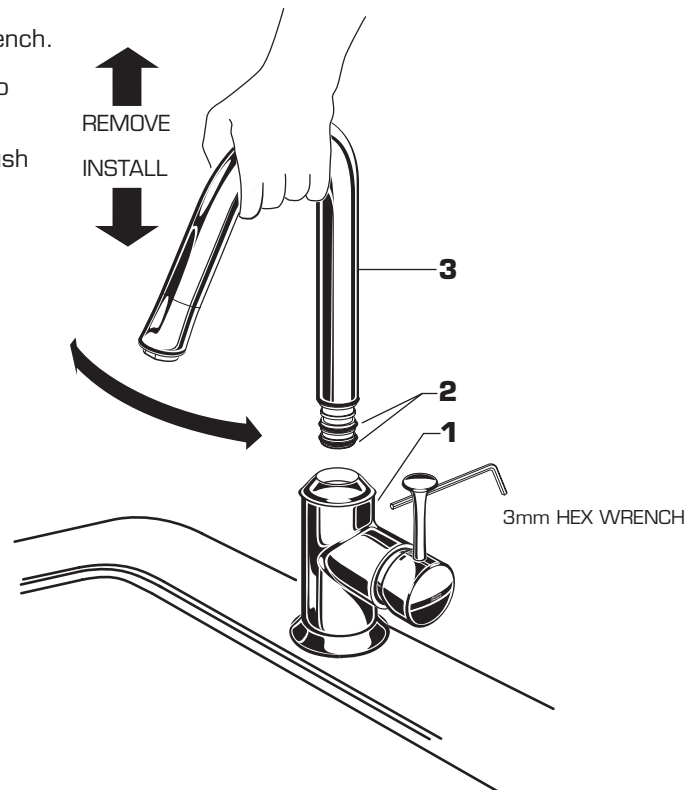
- **Clogged CARTRIDGE outlets or inlets may cause reduced flow.** To clean, first turn off water supply then:
  - Loosen and remove LEVER HANDLE (1). Loosen HANDLE SCREW (2) with 2.5mm Hex Wrench and then pull HANDLE BASE (3) off.
  - Unscrew ESCUTCHEON CAP (4). Unscrew the CARTRIDGE NUT (5).
  - Remove CARTRIDGE (6). Clean inlets of CARTRIDGE (6) and MANIFOLD (7).
  - Reassemble CARTRIDGE (6). Replace CARTRIDGE NUT (5), CAP (4) and HANDLE assembly, check flow.



## 5 SERVICE

**If SPOUT (3) leaks at swivel point the O-RINGS (2) need to be replaced. To remove SPOUT (3):**

- Loosen the SPOUT SET SCREW (1) with a 3mm Hex wrench.
- Rotate the SPOUT (3) side to side while pulling upward to remove SPOUT (3) from faucet body.
- Replace the defective parts, grease O-RINGS (2) then push SPOUT (3) back into position. Tighten SET SCREW (1).
- Check that SPOUT (3) rotates freely and does not leak at the swivel point.



## 6 CARE INSTRUCTIONS:

**DO: SIMPLY RINSE THE PRODUCT CLEAN WITH CLEAR WATER. DRY WITH A SOFT COTTON FLANNEL CLOTH.**

**DO NOT: DO NOT CLEAN THE PRODUCT WITH SOAPS, ACID, POLISH, ABRASIVES, HARSH CLEANERS, OR A CLOTH WITH A COARSE SURFACE.**