

### CADET™ BIDET

- ☐ **5023.100** For deck-mounted fitting
  - Vitreous china
  - Flushing rim and vertical cleansing spray
  - Integral overflow
  - Two bolt caps

Shown with 7391.723 Hampton Bidet Fitting with metal cross handles (not included)

#### Nominal Dimensions:

654 x 381 x 368mm  
(25-3/4" x 15" x 14-1/2")

#### Compliance Certifications -

#### Meets or Exceeds the Following Specifications:

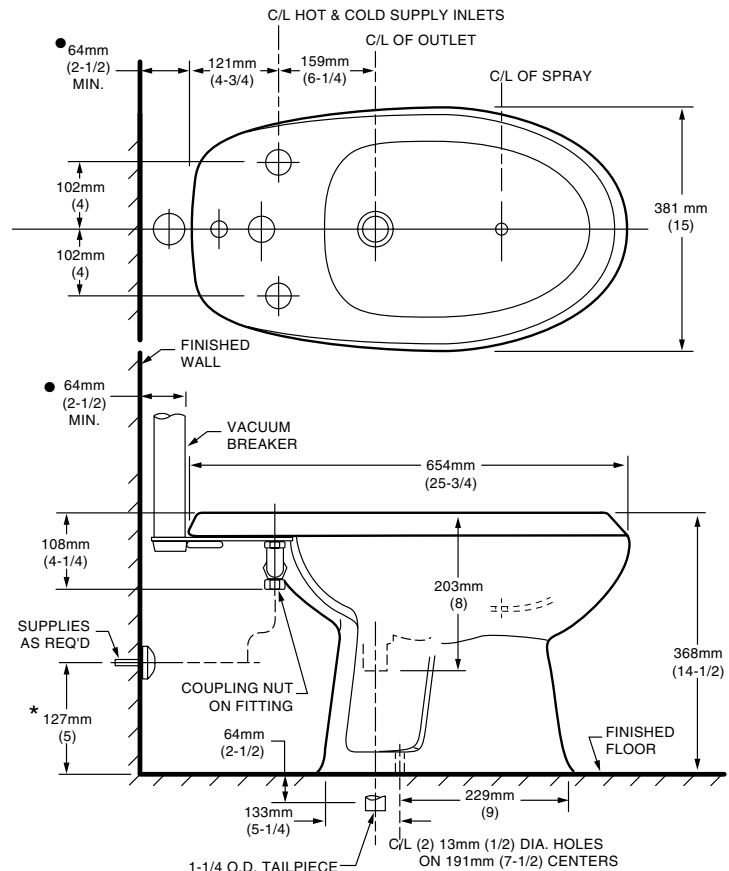
- ASME A112.19.2M for Vitreous China Fixtures



**To Be Specified:**

- ☐ Color: ☐ White ☐ Bone ☐ Linen ☐ Silver  
☐ Fawn Beige ☐ Black
- ☐ Bidet Fitting\*:
- ☐ Fitting Finish:
- ☐ Trap:
- ☐ Supplies with Stops:

\* See faucet section for additional models available



#### NOTES:

\* DIMENSIONS SHOWN FOR LOCATION OF SUPPLIES ARE SUGGESTED.

"P" TRAP AND FITTINGS NOT FURNISHED WITH BIDET AND MUST BE ORDERED SEPARATELY. BIDET FITTING HAS TRANSFER VALVE FEATURE.

PROVISIONS MUST BE MADE FOR THE INSTALLATION OF TRAP IN FLOOR.

● REFER TO INSTALLATION INSTRUCTIONS SUPPLIED WITH BIDET AND FITTING FOR ADDITIONAL INFORMATION.

**IMPORTANT:** Dimensions of fixtures are nominal and may vary within the range of tolerances established by ANSI Standard A112.19.2. These measurements are subject to change or cancellation. No responsibility is assumed for use of superseded or voided leaflet.