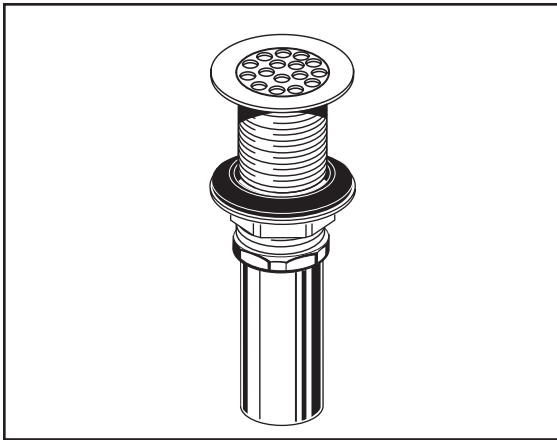


GRID DRAIN LESS OVERFLOW

**FOR VITREOUS CHINA SERVICE SINK
OR ENAMELED SCRUB SINK**



MODEL NUMBER:

- ☐ **7716.020 Grid Drain Less Overflow**
For Vitreous China Service Sink or Enameled Scrub Sink.
Polished Chrome Finish.

GENERAL DESCRIPTION:

Grid drain less overflow for Vitreous China Service Sink or Enameled Scrub Sink. 1-1/2" (38mm) tailpiece. Brass construction.

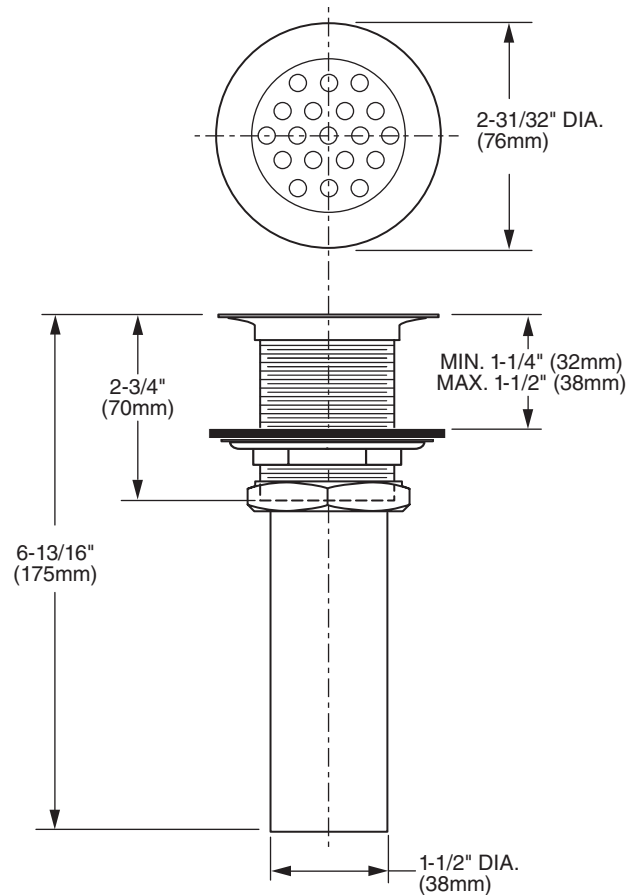
PRODUCT FEATURES:

- For Vitreous China Service Sink or Enameled Scrub Sink without overflow
- Brass construction less overflow
- Removable grid strainer
- 1-1/2" tailpiece
- Available in Chrome (002)

CODES AND STANDARDS

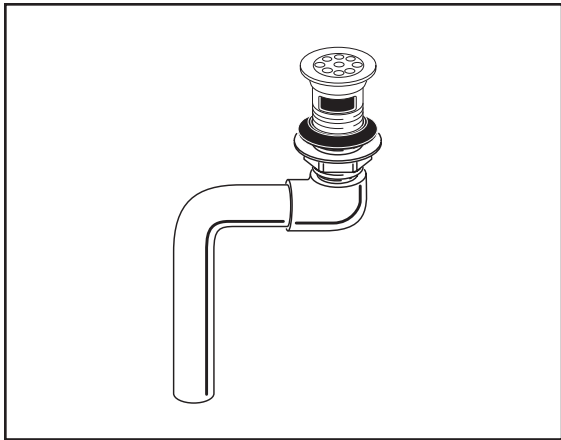
These products meet or exceed the following codes and standards:

- ASME A112.18.2**
- CSA B 125.2**



SUGGESTED SPECIFICATION:

Grid drain shall be of brass construction less overflow. Product shall feature removable grid strainer. Fitting shall be American Standard Model # 7716.020.002.



MODEL NUMBER:

- ☐ **7723.018 Grid Drain With Overflow**
For Wheelchair Lavatory. Polished Chrome Finish.

GENERAL DESCRIPTION:

Offset grid drain with overflow for wheelchair lavatory. 4-3/4" to 5" offset. Brass construction.

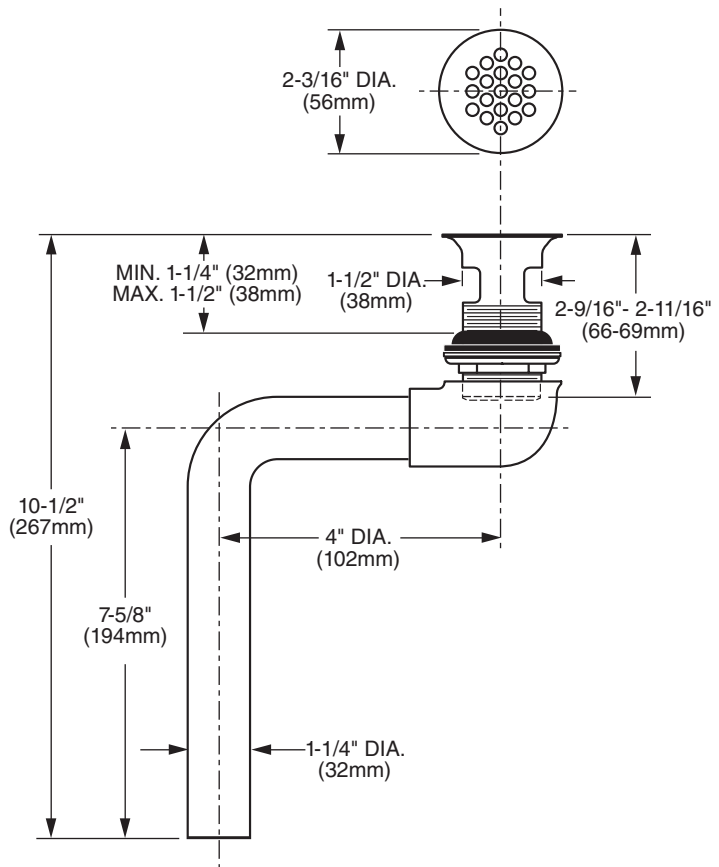
PRODUCT FEATURES:

- For wheelchair lavatory
- 4-3/4" to 5" offset
- Brass construction with overflow
- 1-1/4" tailpiece
- Available in Chrome (002)

CODES AND STANDARDS

These products meet or exceed the following codes and standards:

ASME A112.18.2
CSA B 125.2



SUGGESTED SPECIFICATION:

Offset grid drain shall be of brass construction with overflow. Product shall feature 4-3/4" to 5" offset. Fitting shall be American Standard Model # 7723.018.002.