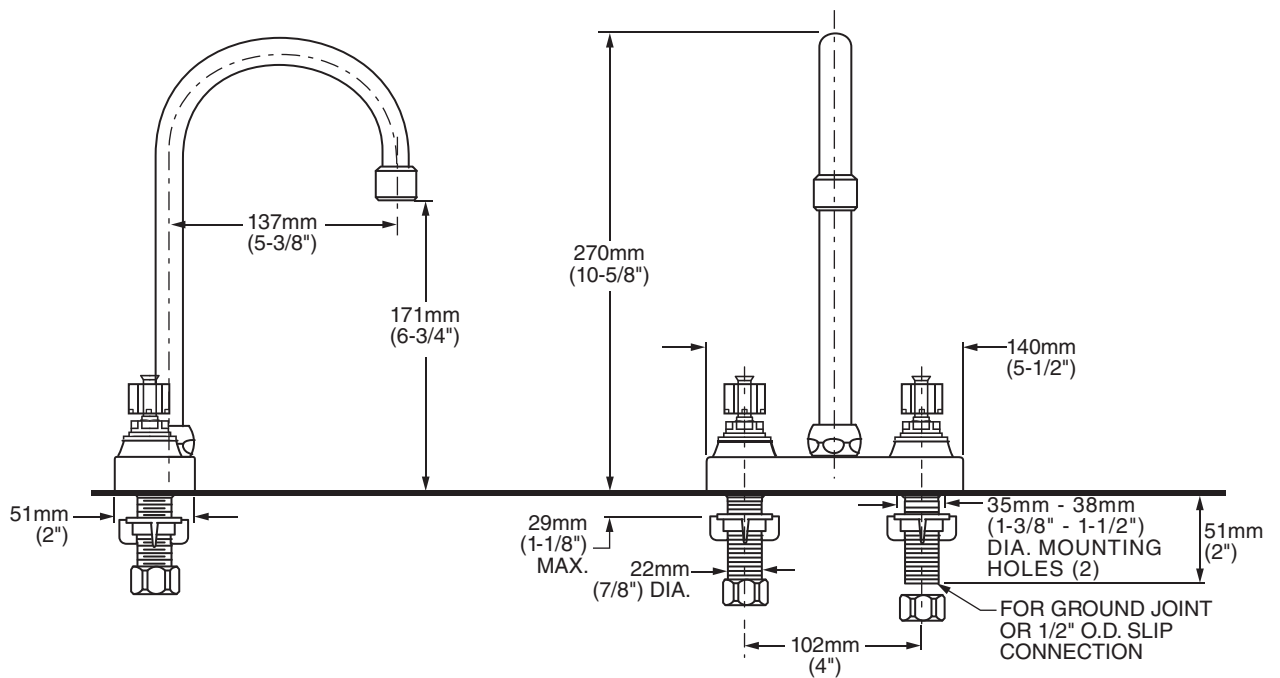


MODEL NUMBER:

- ☐ **7490.000 Centerset Bar Sink Faucet**
 Gooseneck swivel spout. Less handles.

Handles must be ordered separately.



GENERAL DESCRIPTION:

Durable brass construction. Amarilis 1/4 turn washerless ceramic disc valve cartridges - reversible for use with either lever or round handles. One-half inch male inlet shanks with brass coupling nuts. Brass gooseneck swivel spout. 2.2gpm/8.3L/min. maximum flow rate.

PRODUCT FEATURES:

Ceramic Disc Valve Cartridges: Assures a lifetime of drip-free performance.

Brass Construction: Durable - Excellent in high use applications. Ideal for prolonged contact with water.

Lead Free: Faucet contains $\leq 0.25\%$ total lead content by weighted average.

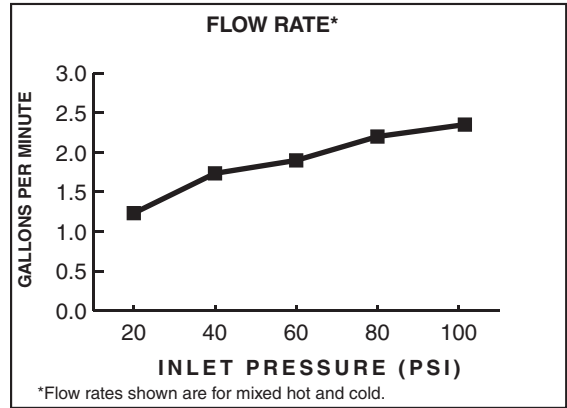
SUGGESTED SPECIFICATION:

Centerset bar sink faucet shall be cast brass construction with all brass coupling nuts. Shall also feature 1/4 turn washerless ceramic disc valve cartridges that are reversible for use with round or lever handles. Fitting shall be American Standard Model # 7490.000.____ and handle kit # 0000.____.

CODES AND STANDARDS

These products meet or exceed the following codes and standards:

- ASME A112.18.1
- CSA B 125
- NSF 61/Section 9 and Annex G



| Product Number | Description | Finish |
|----------------|--------------------------------|-----------------|
| | | Polished Chrome |
| 7490.000 | Bar Sink faucet. Less handles. | 002 |

Handles must be ordered separately.

To order **Less Handles** - Specify: 4 digit style number followed by three zeros and 3 digit finish number. Example 7490.000.002 = Bar Sink faucet in Polished Chrome finish.

The above fittings will accept the following Amaris-Series handles.

| | | | | |
|-------------|----------------|-------------|--------------|--------------|
| | | | | |
| Metal Lever | Perfume Bottle | Metal Lever | Wrist Blade | Lever |
| 442 | 432 | 542 | 372H 372V | 342H 342V |
| | | | | |

MEETS THE AMERICANS WITH DISABILITIES ACT GUIDELINES AND ANSI A117.1 REQUIREMENTS FOR ACCESSIBLE AND USABLE BUILDING FACILITIES-CHECK LOCAL CODES