

EVOLUTION 2 FloWise RIGHT HEIGHT ELONGATED TOILET

2754.128

- Vitreous china
- Meets definition for HET (High Efficiency Toilet) 4.8Lpf/1.28gpf
- Meets EPA WaterSense[®] criteria
- 16-1/2" rim height for accessible applications
- 305mm (12") rough-in
- Elongated siphon action bowl with direct-fed jet
- Fully glazed 2" Trapway
- Generous 9" x 8" water surface area
- Pilot Valve Water Control
- 2" Flapper flush valve
- Color-matched trip lever
- Sanitary bar on bowl
- 2 color-matched bolt caps
- 100% factory flush tested
- 2 Year Limited Warranty on Total Toilet

2754.813

- Same as above except with trip lever on right hand side

3068.128 Right Height Elongated Bowl

3068.001 Right Height Elongated Universal Bowl

4061.128 Tank

Nominal Dimensions:

755 x 456 x 760mm
(29-3/4" x 18" x 29-7/8")

Fixture only, seat and supply by others

Alternate Tank Configurations Available:

- 4061.513 Tank complete with Aquagard liner
- 4061.813 Tank complete with tank lever located on right side

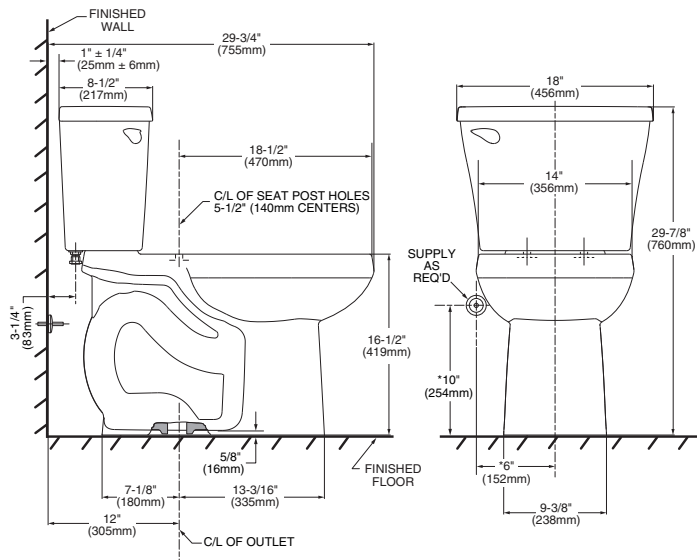
Compliance Certifications -

Meets or Exceeds the Following Specifications:

- ASME A112.19.2-2008/CSA B45.1-08 for Vitreous China Fixtures
- US EPA WaterSense[®] Specification for HET's

To Be Specified:

- Color: White Bone Linen
- Seat: American Standard #5324.019 "Rise and Shine" solid plastic closed front seat with cover.
- Seat: American Standard #5311.012 "Laurel" molded closed front seat with cover.
- Seat: American Standard #5321.110 EverClean[®] Elongated Seat with Cover and Slow Close Snap-Off hinges
- Alternate Seat:
- Supply with stop:



NOTES:

THIS COMBINATION IS DESIGNED TO ROUGH-IN AT A MINIMUM DIMENSION OF 305MM (12") FROM FINISHED WALL TO C/L OF OUTLET. * DIMENSION SHOWN FOR LOCATION OF SUPPLY IS SUGGESTED. SUPPLY NOT INCLUDED WITH FIXTURE AND MUST BE ORDERED SEPARATELY.

IMPORTANT: Dimensions of fixtures are nominal and may vary within the range of tolerance established by ANSI Standard A112.19.2. These measurements are subject to change or cancellation. No responsibility is assumed for use of superseded or voided pages.



MEETS THE AMERICANS WITH DISABILITIES ACT GUIDELINES AND ANSI A117.1 REQUIREMENTS FOR ACCESSIBLE AND USABLE BUILDING FACILITIES-CHECK LOCAL CODES.

