

7242HCWWP – EVERYDAY BATHS

inches (mm)

72 x 42 x 27 (1830 x 1070 x 685) • Fax on Demand #9036

SOAKER MODEL #7242HCW

WHIRLPOOL MODEL #7242HCWWP



FEATURES

- Alcove bath
- Integral arm rests
- Ergonomic backrest
- Integral tiling flange (3T)
- Integral skirt
- Slip-resistant textured bottom
- 8" wainscot
- Center rear drain
- Gelcoat surface
- East zone only
- 5-year limited warranty

Whirlpool Features:

- .75hp motor
- 4 adjusta-flow whirlpool jets
- Color matched trim
- 1 air control
- Pneumatic on/off control
- Advanced safety suction system

AQUATIC ADVANTAGE

- National distribution
- 5 manufacturing facilities
- Private fleet
- Centralized customer service
- Field support
- 24-hour fax-on-demand

COLOR & TRIM OPTIONS

Stock	Premium
Almond (C)	Black (C)
Biscuit (C)	Mexican Sand* (NA)
Bone (C)	Sand Bar* (NA)
Linen (C)	
Sterling Silver (C)	
White (C)	

C = color matched trim

NA = not applicable

* color not available for whirlpool models

OPTIONS

- In-line heater (whirlpool models)
- Removable access panel (whirlpool models)
- Mood light (whirlpool models)
- Designer drain, waste & overflow

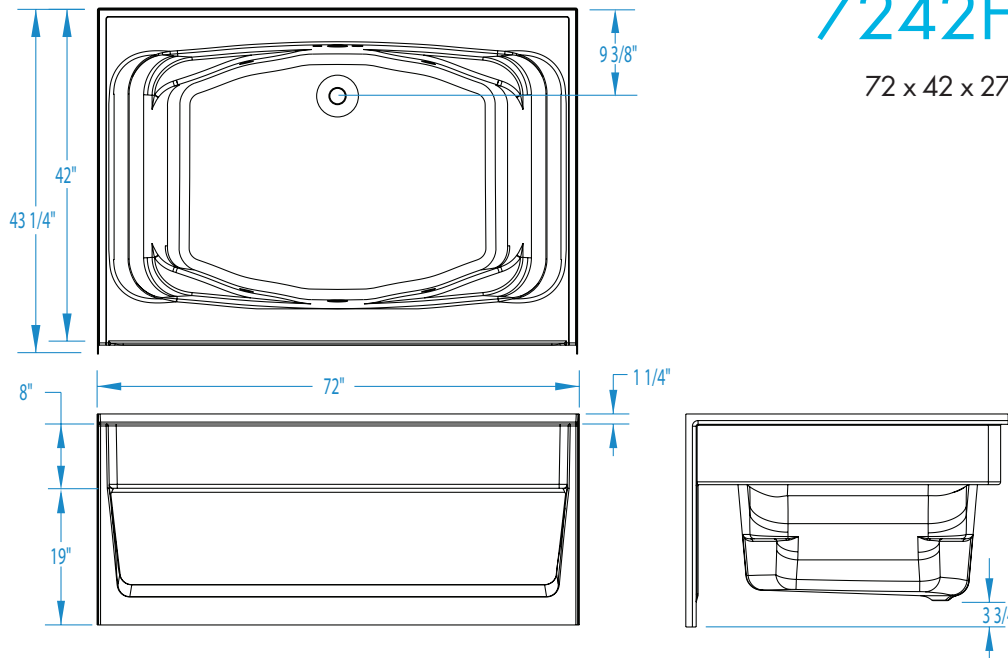


7242HCWWP

72 x 42 x 27 (1830 x 1070 x 685)
inches (mm)



East zone only



FEATURES lbs (kg) Dimensional Tolerance $\pm \frac{3}{16}$ ". Dimensions needed for site preparation should be measured from the unit. Aquatic assumes no responsibility for preparatory work.

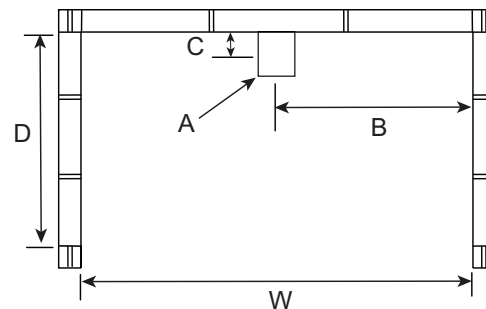
Model #	Material	Jets	Motor	Controls	Drain	Net Wt.	Pkg. Wt.
Soaker #7242HCW	Gelcoat	0	-	-	Center rear	93 (42)	98 (44)
Whirlpool #7242HCWWP	Gelcoat	4	0.75 HP	Pneumatic	Center rear	143 (65)	148 (67)

DIMENSIONS

Specifications	inches (mm)
Width: Overall / Net	72 (1830)
Depth: Overall / Net	43 1/4 (1100) / 42 (1070)
Height: Overall / Net	28 1/4 (720) / 27 (685)
Enclosure Opening	
Skirt Height	19 (485)
Drain Rough-In (from Back Wall)	3 3/4 (95)
Drain Rough-In (from Side Wall)	36 (915)
Drain: Diameter / Clearance	2 (50) / 3 3/4 (95)

FRAMING DIMENSIONS inches (mm)

Type	D Depth	W Width	H Height	A	B	C
Alcove	43 1/4 (1100)	72 1/8 (1830)	28 1/4 (720)	Box Out	36 (915)	3 3/4 (95)



SUMP DATA

Top of Drain to Bottom of Overflow	Capacity to Overflow gal (ltr)	Min. Operating Capacity gal (ltr)	WIDTH @ centerline		DEPTH @ centerline	
			Top	Bottom	Top	Bottom
11 3/4 (300)	73 (276)	66 (250)	66 (1675)	51 1/2 (1310)	33 3/16 (845)	30 1/2 (775)