

2543CTG – EVERYDAY TUB/SHOWERS

inches (mm)

54 x 29 x 72 (1370 x 735 x 1830) • Fax on Demand #9023



FEATURES

- Tub-shower
- Textured tile
- Installed acrylic grab bar
- Slip-resistant textured bottom
- Center rear drain
- Gelcoat surface
- 5-year limited warranty

OPTIONS

- Grab bar reinforcement
- Factory installed assisted care grab bars
- Designer drain, waste & overflow
- Shower Door Series L0516

AQUATIC ADVANTAGE

- National distribution
- 5 manufacturing facilities
- Private fleet
- Centralized customer service
- Field support
- 24-hour fax-on-demand

COLOR & TRIM OPTIONS

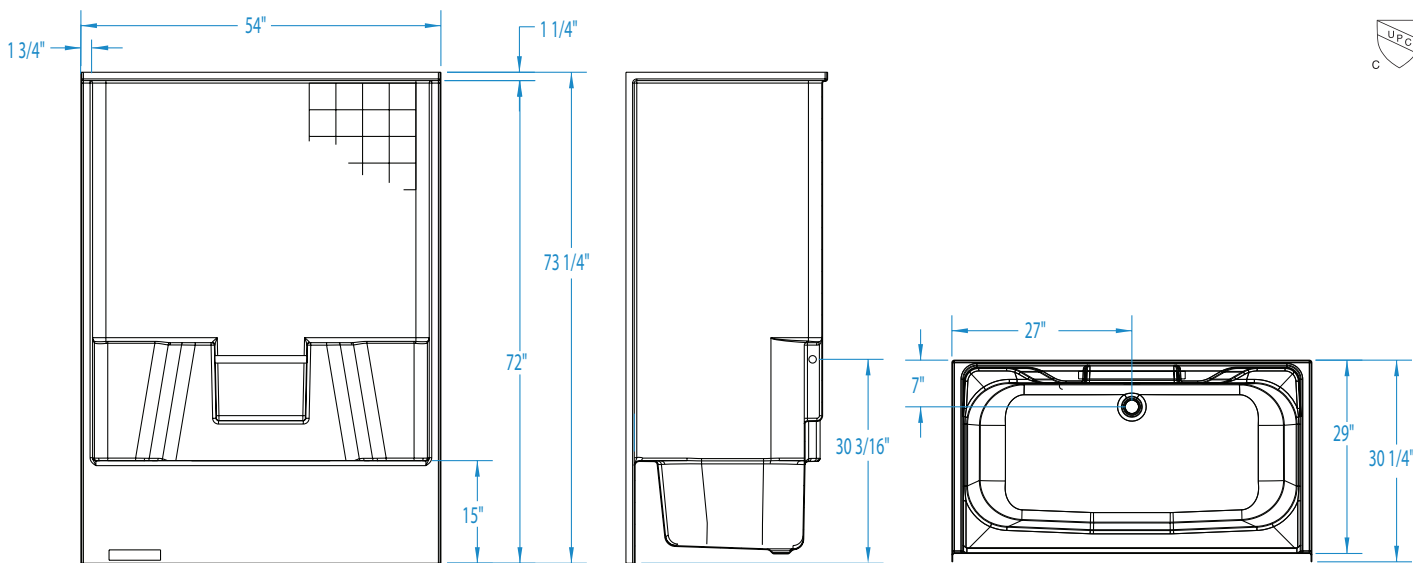
Stock	Premium
Almond	Black
Biscuit	Mexican Sand
Bone	Sand Bar
Linen	
Sterling Silver	
White	



2543CTG

54 x 29 x 72 (1370 x 735 x 1830)

inches (mm)



FEATURES lbs (kg) Dimensional Tolerance $\pm 3/8"$. Dimensions needed for site preparation should be measured from the unit. Aquatic assumes no responsibility for preparatory work.

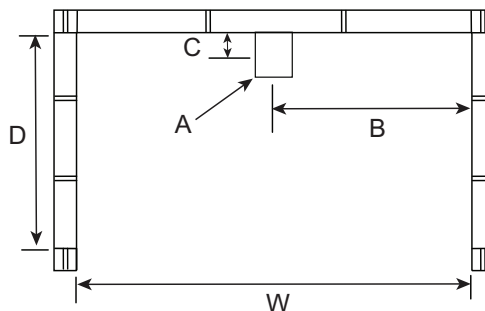
Model #	Material	Wall Finish	Jets	Motor	Controls	Drain	Net Wt.	Pkg. Wt.
Tub-Shower #2543CTG	Gelcoat	Textured	-			Center rear	112 (51)	117 (54)

DIMENSIONS

Specifications	inches (mm)
Width: Overall / Net	54 (1370)
Depth: Overall / Net	30 1/4 (770) / 29 (735)
Height: Overall / Net	73 1/4 (1860) / 72 (1830)
Enclosure Opening	50 1/2 (1285)
Skirt Height	15 (380)
Drain Rough-In (from Back Wall)	2 1/2 (65)
Drain Rough-In (from Side Wall)	27 (685)
Drain: Diameter / Clearance	2 (50) / 1 (25)

FRAMING DIMENSIONS inches (mm)

Type	D Depth	W Width	H Height	A	B	C
Alcove	30 1/4 (770)	54 1/8 (1375)	-	Box Out	27 (685)	2 1/2 (65)



SUMP DATA

Top of Drain to Bottom of Overflow	Capacity to Overflow gal (ltr)	Min. Operating Capacity gal (ltr)	WIDTH @ centerline		DEPTH @ centerline	
			Top	Bottom	Top	Bottom
9 3/8 (245)	44 (166)	—	49 1/2 (1255)	45 1/2 (1155)	22 1/4 (565)	20 3/4 (525)