

4236APANB – EVERYDAY SHOWER PANS

inches (mm)

42 x 36 x 6 (1070 x 915 x 150) • Fax on Demand #1225



FEATURES

- Shower pan
- Slip-resistant, textured bottom
- Extended tiling flange (3T)
- Enhanced front profile
- Includes drain assembly and cover
- Patented design features:
 - corner drainage channels
 - step-design finishing guides
 - extended nailing flange
- Center drain
- Acrylic surface
- 5-year limited warranty

AQUATIC ADVANTAGE

- National distribution
- 5 manufacturing facilities
- Private fleet
- Centralized customer service
- Field support
- 24-hour fax-on-demand

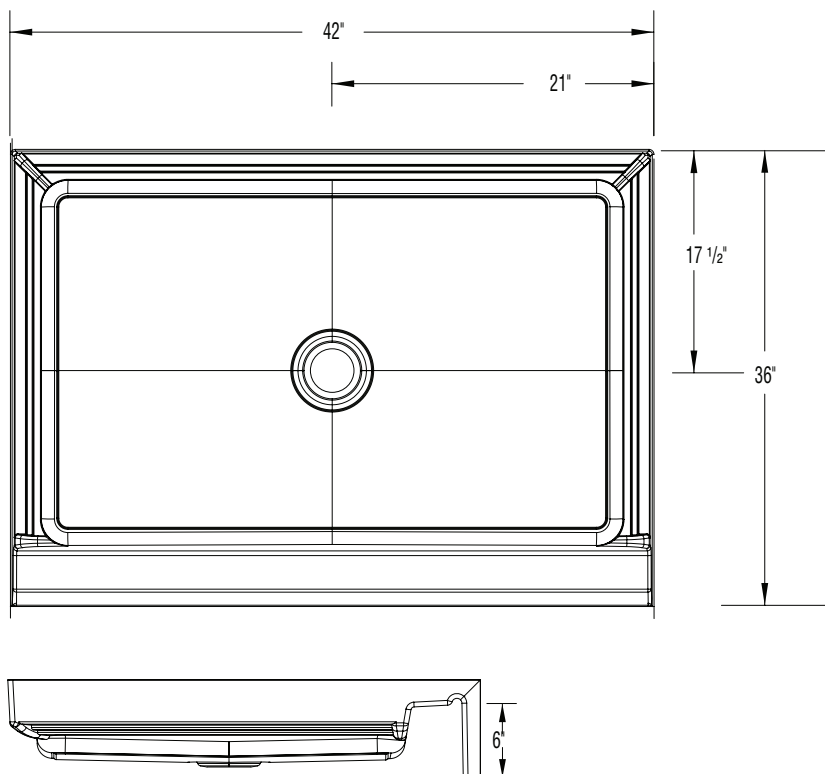
COLOR & TRIM OPTIONS

Stock	Premium
Almond	Black
Biscuit	Mexican Sand
Bone	Sand Bar
Linen	
Sterling Silver	
White	



4236APANB

42 x 36 x 6 (1070 x 915 x 150)
inches (mm)



FEATURES lbs (kg) Dimensional Tolerance $\pm \frac{3}{8}$ ". Dimensions needed for site preparation should be measured from the unit. Aquatic assumes no responsibility for preparatory work.

Model #	Material	Drain	Net Wt.	Pkg. Wt.
Shower Pan #4236APANB	Acrylic	Center	27 (12)	32 (15)

DIMENSIONS

Specifications	inches (mm)
Width: Overall / Net	42 (1070)
Depth: Overall / Net	36 (915)
Height: Overall / Net	7 ¼ (185) / 6 (150)
Enclosure Opening	-
Skirt Height	6 (150)
Drain Rough-In (from Back Wall)	17 ½ (445)
Drain Rough-In (from Side Wall)	21 (535)
Drain: Diameter / Clearance	3 ¼ (85) / ¾ (20)

FRAMING DIMENSIONS inches (mm)

Type	D Depth	W Width	H Height	A	B	C
Alcove	36 (915)	42 (1065)	-	Box Out	21 (535)	17 ½ (445)

