

# SERENITY 41 – SERENITY SERIES

inches (mm)

66 x 32 ¼ x 30 (1675 x 820 x 760) • Fax on Demand #1261

SOAKER MODEL #AI41COPPERTO

AIR BATH MODEL #AI41AIRCOPPER



Note: This model requires a remote blower location. Please refer to the owners manual for detailed installation instructions.

## FEATURES

- Copper bath
- Deep bathing well
- Freestanding waste and overflow:  
Oil-Rubbed Bronze
- Universal drain
- Limited lifetime warranty

*Each Serenity 41 bath is handcrafted out of copper. Please note that the hammered copper with a weathered finish will vary from model to model and may gradually change with time due to copper's unique character.*

## AQUATIC ADVANTAGE

- National distribution
- 5 manufacturing facilities
- Private fleet
- Centralized customer service
- Field support
- 24-hour fax-on-demand

## COLOR & TRIM OPTIONS

| Stock           | Premium      |
|-----------------|--------------|
| Almond          | Black        |
| Bone            | Cashmere     |
| Linen/Biscuit   | Mexican Sand |
| Sterling Silver | Red          |
| White           | Sandbar      |

## AVAILABLE SYSTEMS

### AIR BATH

- Variable speed blower with 20-minute timer
- Air heating system
- Electronic controls with wave and pulse features
- Air channels lined with antimicrobial coating
- Automatic purge and dry cycle with water sensors

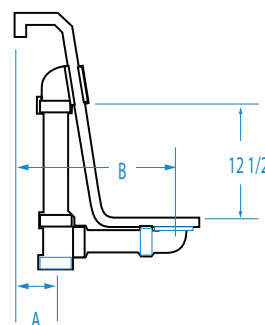
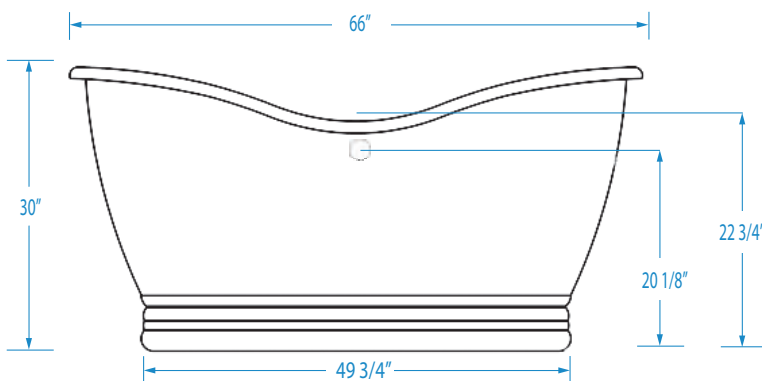
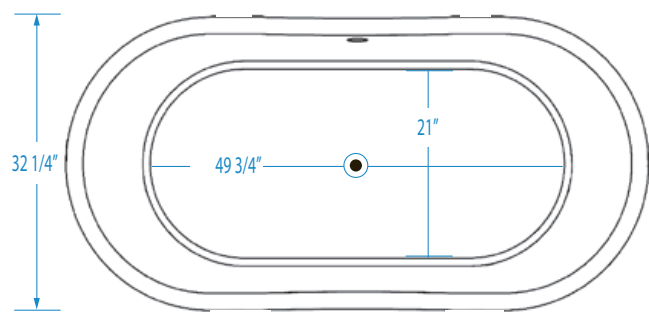


# SERENITY 41

66 x 32 1/4 x 30 (1675 x 820 x 760)  
inches (mm)



Note: Because the Serenity 41 is a one-of-a-kind handmade bath, dimensions may vary up to several inches. Please take all measurements directly from the bath.



**FEATURES** lbs (kg) Dimensional Tolerance ± 3/8". Dimensions needed for site preparation should be measured from the unit. Aquatic assumes no responsibility for preparatory work.

| Type and Model #        | Material | System  | Powered By            | Heater | Controls   | Drain     | Pkg. Wt.  |
|-------------------------|----------|---------|-----------------------|--------|------------|-----------|-----------|
| Soaker #AI41COPPERTO    | Copper   | -       | -                     | -      | Electronic | Universal | 421 (191) |
| Air Bath #AI41AIRCOPPER | Copper   | Channel | Variable speed blower | Inline | Electronic | Universal | 451 (205) |

## DIMENSIONS inches (mm)

| Width<br>Overall / Net | Depth<br>Overall / Net | Height<br>Overall / Net | Skirt<br>Height |
|------------------------|------------------------|-------------------------|-----------------|
| 66 (1675)              | 32 1/4 (820)           | 30 (760)                | -               |

## SUMP DATA inches (mm)

| Capacity to<br>Overflow<br>gal (ltr) | Min. Operating<br>Capacity<br>gal (ltr) |
|--------------------------------------|---|
| 106 (401)                            | -                                       |

## PLUMBING DIMENSIONS inches (mm)

| A          | B            |
|------------|--------------|
| 1 1/2 (40) | 14 1/2 (370) |

## ELECTRICAL DATA

| Component                | Specification   | Requirement                                  |
|--------------------------|-----------------|--|
| Blower/Heater (Air Bath) | 10.5 AMP; 120 V | 15 AMP; 120V, separate circuit; Class A GFCI |

### NOTES:

1) Where applicable, utilize cut-out templates packed with unit for deck cutouts.

2) 16 x 20 (405 x 510) minimum access required at pump/blower location(s).

Each Serenity air bath is equipped with an air heating system to raise the temperature of the air entering the bath. This air temperature will be lower than the bathing temperature of the water, but will help reduce rapid decrease in water temperature. In addition, the air coming from the air jets will feel cool against the skin. This system does not heat the water.