

MILLENNIUM 7 – MILLENNIUM SERIES

inches (mm)

71 ¾ x 58 ¼ x 33 (1820 x 1480 x 840) • Fax on Demand #1192

MODEL #A17MIL7257



FEATURES

- 24 hydrotherapy jets: shiatsu & rotary (12), fan-style (2), pressure-plus foot/knee (6), pressure-plus wrist/elbow (4)
- 2 pulsating neck jet pillows: Biscuit, Black, White
- 2 independent, 2hp pumps
- Digital electronic controls
- Shiatsu electronic control with pre-programmed jet sequencer
- Universal remote
- 4kw inline heater
- Air bath system:
 - Variable speed blower
 - Air heating system
 - Automatic purge and dry cycle with water sensors
 - Water-level activated dry cycle
- Fast-fill waterfall spout
- Chromatherapy
- 2 reclining lounge seats
- Sculpted armrests and footrests
- Slip-resistant floor
- Adjusta-level base
- Quiet pad anti-vibration pump mount
- Center drain
- Lucite cast acrylic surface
- Limited lifetime warranty

AQUATIC ADVANTAGE

- National distribution
- 5 manufacturing facilities
- Private fleet
- Centralized customer service
- Field support
- 24-hour fax-on-demand

COLOR & TRIM OPTIONS

Stock	Premium
Almond (C, M)	Black (C, M)
Bone (C, M)	Cashmere (M)
Linen/Biscuit (C, M)	Mexican Sand (M)
Sterling Silver (C, M)	Red (M)
White (C, M)	Sandbar (M)

C = Color Matched Trim
M = Metallic Trim (Brushed Nickel, Chrome, Polished Brass)

OPTIONS

- Cable drive waste & overflow: Chrome, Oil Rubbed Bronze, Polished Brass, Brushed Nickel, Color Matched (Biscuit, Bone, White)
- Available Without Fast-fill Waterfall Spout

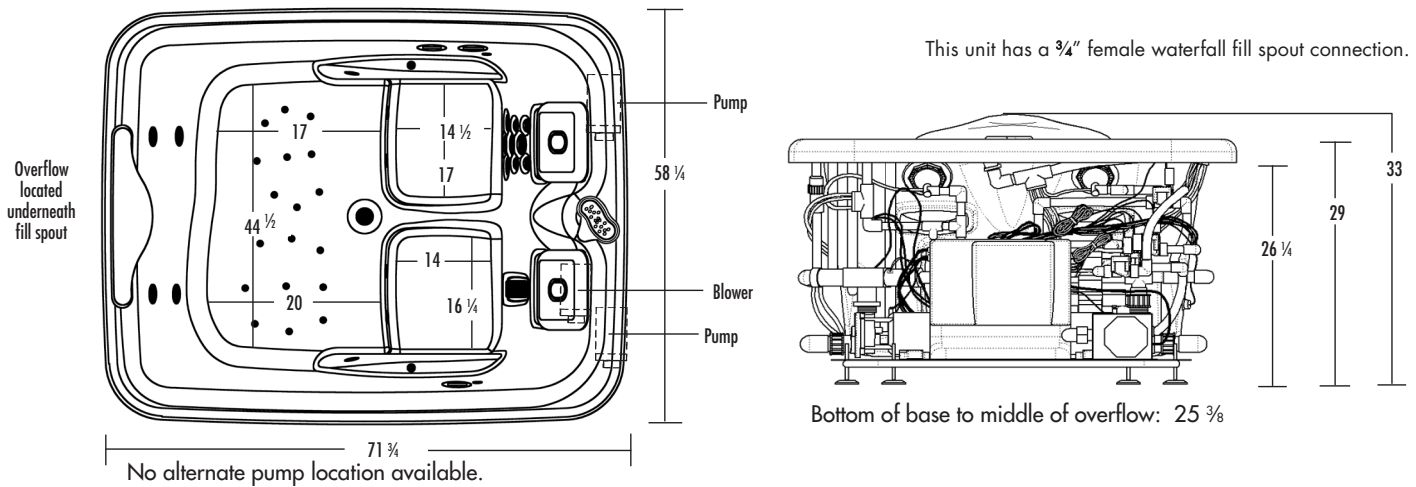


MILLENNIUM 7

71 3/4 x 58 1/4 x 33 (1820 x 1480 x 840)
inches (mm)



This unit has a 3/4" female waterfall fill spout connection.



FEATURES lbs (kg) Dimensional Tolerance ± 3/8". Dimensions needed for site preparation should be measured from the unit. Aquatic assumes no responsibility for preparatory work.

Type and Model #	Material	Jets	Pump	Air System	Blower	Heater	Controls	Drain	Pkg. Wt.
Air-Whirlpool #A17MIL7257	Acrylic	24	2 HP (2)	Injector	Variable speed	4.0 kw Inline	Electronic	Center	685 (310)

DIMENSIONS inches (mm)

Width Overall / Net	Depth Overall / Net	Height Overall / Net	Skirt Height
71 3/4 (1820)	58 1/4 (1480)	33 (840)	-

SUMP DATA inches (mm)

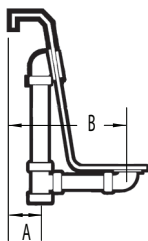
Capacity to Overflow gal (ltr)	Min. Operating Capacity gal (ltr)
184 (695)	147 (555)

PLUMBING DIMENSIONS inches (mm)

A	B
2 1/4 (55)	31 1/2 (800)

ELECTRICAL DATA

Component	Specification	Requirement
Electronic Control Package		230V; 50 AMP w/ GFCI; 4-Wire w/ Dedicated Neutral



NOTES:

1) Where applicable, utilize cut-out templates packed with unit for deck cutouts.

2) 16 x 20 (405 x 510) minimum access required at pump/blower location(s).