

RESTORATION 2 – RESTORATION SERIES

inches (mm)

66 x 33 ½ x 30 ½ (1675 x 850 x 775) • Fax on Demand #1327

SOAKER MODEL #AIY6617TO



FEATURES

- Deep bathing well
- Claw feet: Chrome, Oil-Rubbed Bronze, Polished Brass, Brushed Nickel, White
- Slip-resistant floor
- End drain
- Lucite cast acrylic surface
- Available in white only
- Limited lifetime warranty

OPTIONS

- Comfort pillow: Biscuit, Black, White
- Freestanding waste & overflow: Chrome, Oil Rubbed Bronze, Polished Brass, Brushed Nickel, White

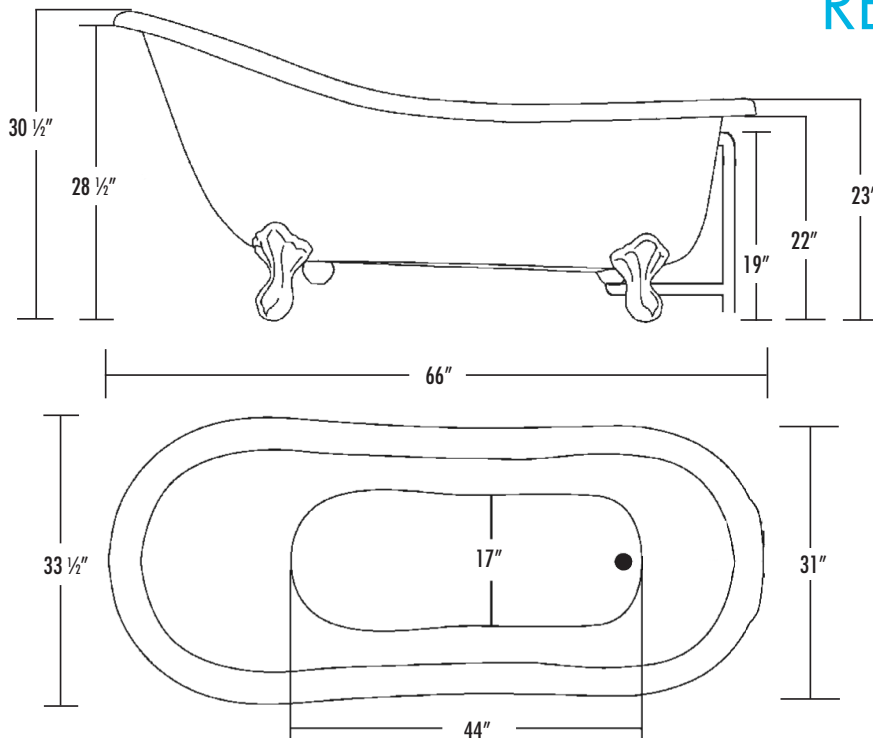
AQUATIC ADVANTAGE

- National distribution
- 6 manufacturing facilities
- Private fleet
- Centralized customer service
- Field support
- 24-hour fax-on-demand



RESTORATION 2

66 x 33 1/2 x 30 1/2 (1675 x 850 x 775)
inches (mm)



FEATURES lbs (kg) Dimensional Tolerance ± 3/8". Dimensions needed for site preparation should be measured from the unit. Aquatic assumes no responsibility for preparatory work.

| Type and Model # | Material | Drain | Pkg. Wt. |
|-------------------|----------|-------|----------|
| Soaker #AIY6617TO | Acrylic | End | 194 (85) |

DIMENSIONS inches (mm)

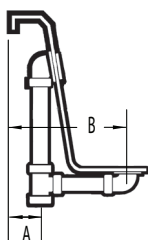
| Width Overall / Net | Depth Overall / Net | Height Overall / Net | Skirt Height |
|------------------------|------------------------|-------------------------|-----------------|
| 66 (1675) | 33 1/2 (850) | 30 1/2 (775) | - |

SUMP DATA inches (mm)

| Capacity to Overflow gal (ltr) | Min. Operating Capacity gal (ltr) | WIDTH @ centerline | | DEPTH @ centerline | |
|--------------------------------------|---|--------------------|---------------|--------------------|--------------|
| | | Top | Bottom | Top | Bottom |
| 50 (190) | - | 59 (1500) | 48 1/2 (1230) | 26 (660) | 20 1/2 (520) |

PLUMBING DIMENSIONS inches (mm)

| A | B |
|------------|----------|
| 2 3/4 (70) | 12 (305) |



NOTES:

- 1) Where applicable, utilize cut-out templates packed with unit for deck cutouts.
- 2) 16 x 20 (405 x 510) minimum access required at pump/blower location(s).