

260030 – EVERYDAY BATHS

inches (mm)

60 x 30 x 15 (1525 x 760 x 380) • Fax on Demand #1093



FEATURES

- Alcove bath
- Integral tiling flange (3T)
- Integral skirt
- Slip-resistant textured bottom
- Left or right hand drain
- Gelcoat surface
- 5-year limited warranty

OPTIONS

- Designer drain, waste & overflow

AQUATIC ADVANTAGE

- National distribution
- 5 manufacturing facilities
- Private fleet
- Centralized customer service
- Field support
- 24-hour fax-on-demand

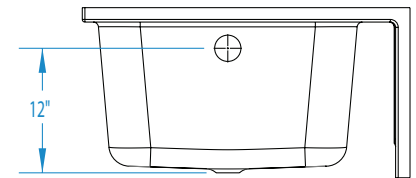
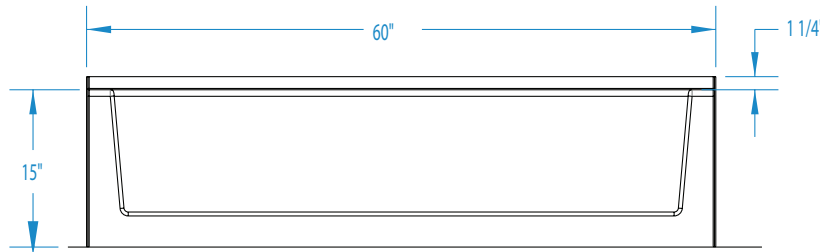
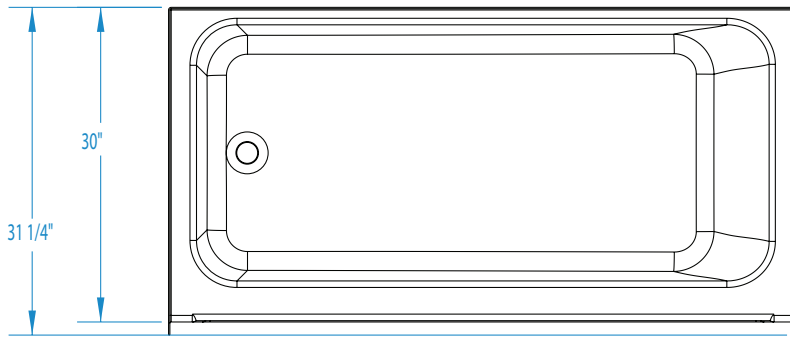
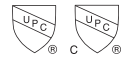
COLOR & TRIM OPTIONS

Stock	Premium
Almond	Black
Biscuit	Mexican Sand
Bone	Sand Bar
Linen	
Sterling Silver	
White	



260030

60 x 30 x 15 (1525 x 760 x 380)
inches (mm)



FEATURES lbs (kg) Dimensional Tolerance $\pm \frac{3}{8}$ ". Dimensions needed for site preparation should be measured from the unit. Aquatic assumes no responsibility for preparatory work.

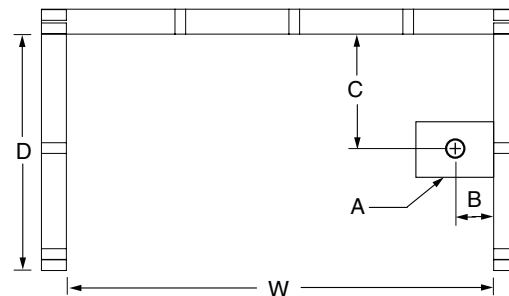
Model #	Material	Jets	Motor	Controls	Drain	Net Wt.	Pkg. Wt.
Soaker #260030	Gelcoat	-	-	-	LH or RH	50 (23)	55 (25)

DIMENSIONS

Specifications	inches (mm)
Width: Overall / Net	60 (1525)
Depth: Overall / Net	31 1/4 (795) / 30 (760)
Height: Overall / Net	16 1/4 (415) / 15 (380)
Enclosure Opening	-
Skirt Height	15 (380)
Drain Rough-In (from Back Wall)	13 7/8 (350)
Drain Rough-In (from Side Wall)	2 (50)
Drain: Diameter / Clearance	2 (50) / 1/2 (15)

FRAMING DIMENSIONS inches (mm)

Type	D Depth	W Width	H Height	A	B	C
Alcove	31 1/4 (795)	60 1/8 (1525)	-	Box Out	2 (50)	13 7/8 (350)



SUMP DATA

Top of Drain to Bottom of Overflow	Capacity to Overflow gal (ltr)	Min. Operating Capacity gal (ltr)	WIDTH @ centerline		DEPTH @ centerline	
			Top	Bottom	Top	Bottom
10 1/2 (265)	50 (189)	-	55 (1395)	48 1/2 (1230)	24 3/4 (630)	22 (560)