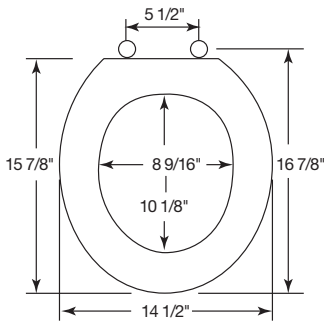




HOSPITALITY PLASTIC SEATS

# MODEL 760T

- ROUND SEAT, CLOSED FRONT WITH COVER
- HEAVY DUTY PLASTIC SEAT
- 300 SERIES STAINLESS STEEL HINGE AND BOLT
- STA-TITE®, COMMERCIAL FASTENING SYSTEM™



Seats shall be 760T as manufactured by Church Seats. Seats shall be commercial weight and injection molded of solid plastic. Seat shall be closed front with cover for round bowl and feature molded in bumpers. Seats shall have STA-TITE®, Commercial Fastening System™, featuring 300 Series stainless steel posts and pintles. Color to be white.

Ring thickness is 1/2"  
 Ring thickness including the bumper is 13/16"  
 Height of the seat with cover is 1-7/8"

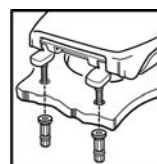


STA-TITE®, COMMERCIAL FASTENING SYSTEM™, ONE-PIECE INTEGRATED NUT AND WASHER

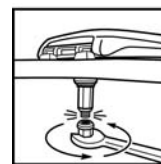


EXTERNAL CHECK HINGE WITH 300 SERIES STAINLESS STEEL BOLTS

## STATITE®



Finger-tighten fastening nuts.



Using wrench, tighten until lower portion shears off.