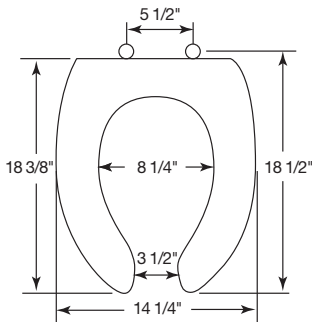




HOSPITALITY PLASTIC SEATS

MODEL 7650T

- ELONGATED SEAT, OPEN FRONT WITH COVER
- HEAVY DUTY PLASTIC
- 300 SERIES STAINLESS STEEL HINGE AND BOLT
- STA-TITE®, COMMERCIAL FASTENING SYSTEM™



Ring thickness is 5/8"
 Ring thickness including the bumper is 7/8"
 Height of the seat with cover is 1-7/8"

Seats shall be 7650T as manufactured by Church Seats. Seats shall be commercial weight and injection molded of solid plastic. Seat shall be open front with cover for elongated bowl and feature molded in bumpers. Seats shall have STA-TITE®, Commercial Fastening System™, featuring 300 Series stainless steel posts and pintles. Color to be white.

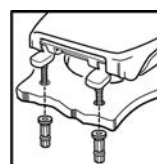


STA-TITE®, COMMERCIAL FASTENING SYSTEM™, ONE-PIECE INTEGRATED NUT AND WASHER

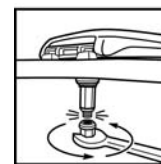


EXTERNAL CHECK HINGE WITH 300 SERIES STAINLESS STEEL BOLTS

STATITE®



Finger-tighten fastening nuts.



Using wrench, tighten until lower portion shears off.