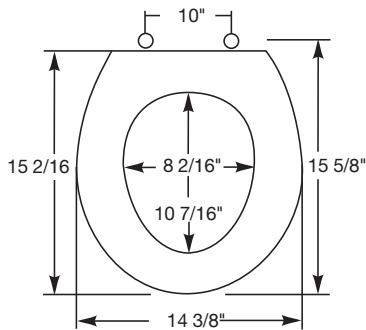




R E S I D E N T I A L M O L D E D W O O D S E A T S

## MODEL NW209E10

- FITS AMERICAN STANDARD NORWALL TOILET
- MOLDED WOOD
- PLASTIC HINGE



Ring thickness is 13/16"  
Ring thickness including the bumper is 1-3/16"  
Height of the seat with cover is 2"

Seats shall be No. NW209E10 as manufactured by Church Seats. Seats shall be molded wood, multi-coat enamel finish to fit round American Standard Norwall toilet. Feature color matched bumpers and hinges with corrosion-free plastic nut and bolt. Color to be white.

