

CHICAGO FAUCETS
a Geberit company

2100 South Clearwater Drive
Des Plaines, IL 60018
Phone: 847-803-5000
Fax: 847-803-5454
www.chicagofaucets.com

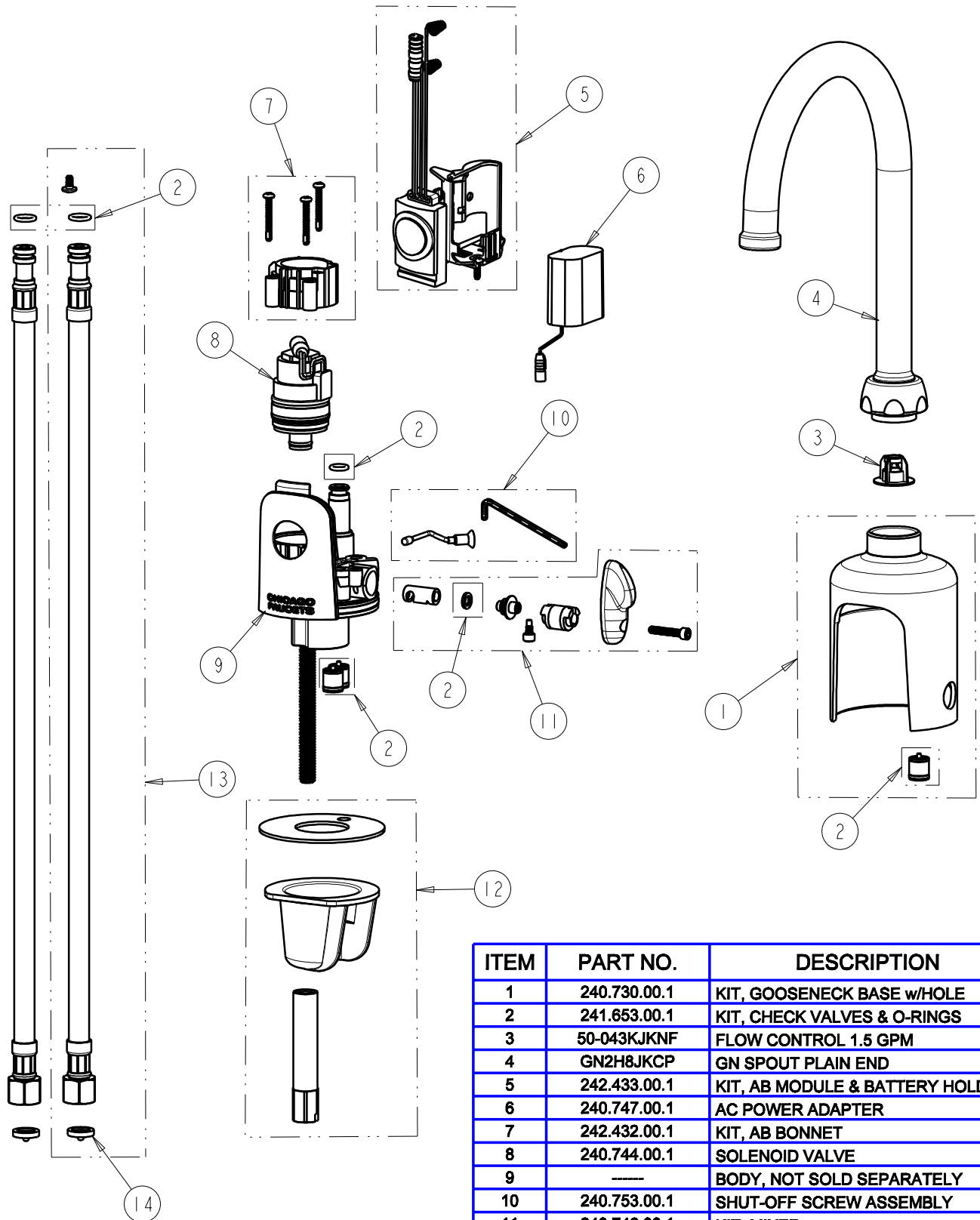
REPAIR PARTS

BY: SID DATE: 11-10-09
CHK: *[Signature]* REV:

FITTING NO.
116.429.AB.1
SUBMITTED MODEL NO.

ITEM NO.

FOR TECHNICAL ASSISTANCE
1-800-TEC-TRUE (1-800-832-8783)



ITEM	PART NO.	DESCRIPTION
1	240.730.00.1	KIT, GOOSENECK BASE w/HOLE
2	241.653.00.1	KIT, CHECK VALVES & O-RINGS
3	50-043KJKNF	FLOW CONTROL 1.5 GPM
4	GN2H8JKCP	GN SPOUT PLAIN END
5	242.433.00.1	KIT, AB MODULE & BATTERY HOLDER
6	240.747.00.1	AC POWER ADAPTER
7	242.432.00.1	KIT, AB BONNET
8	240.744.00.1	SOLENOID VALVE
9	-----	BODY, NOT SOLD SEPARATELY
10	240.753.00.1	SHUT-OFF SCREW ASSEMBLY
11	240.746.00.1	KIT, MIXER
12	240.745.00.1	KIT, DECK MOUNTING HARDWARE
13	240.693.00.1	KIT, SS BRAIDED HOSE (QTY 1)
14	3300-005JKNF	FILTER/SCREEN