

CHICAGO FAUCETS 

a Geberit company

2100 South Clearwater Drive
Des Plaines, IL 60018
Phone: 847-803-5000
Fax: 847-803-5454
www.chicagofaucets.com

REPAIR PARTS

BY: SID DATE: 10-05-12

CHK: *[Signature]* REV:

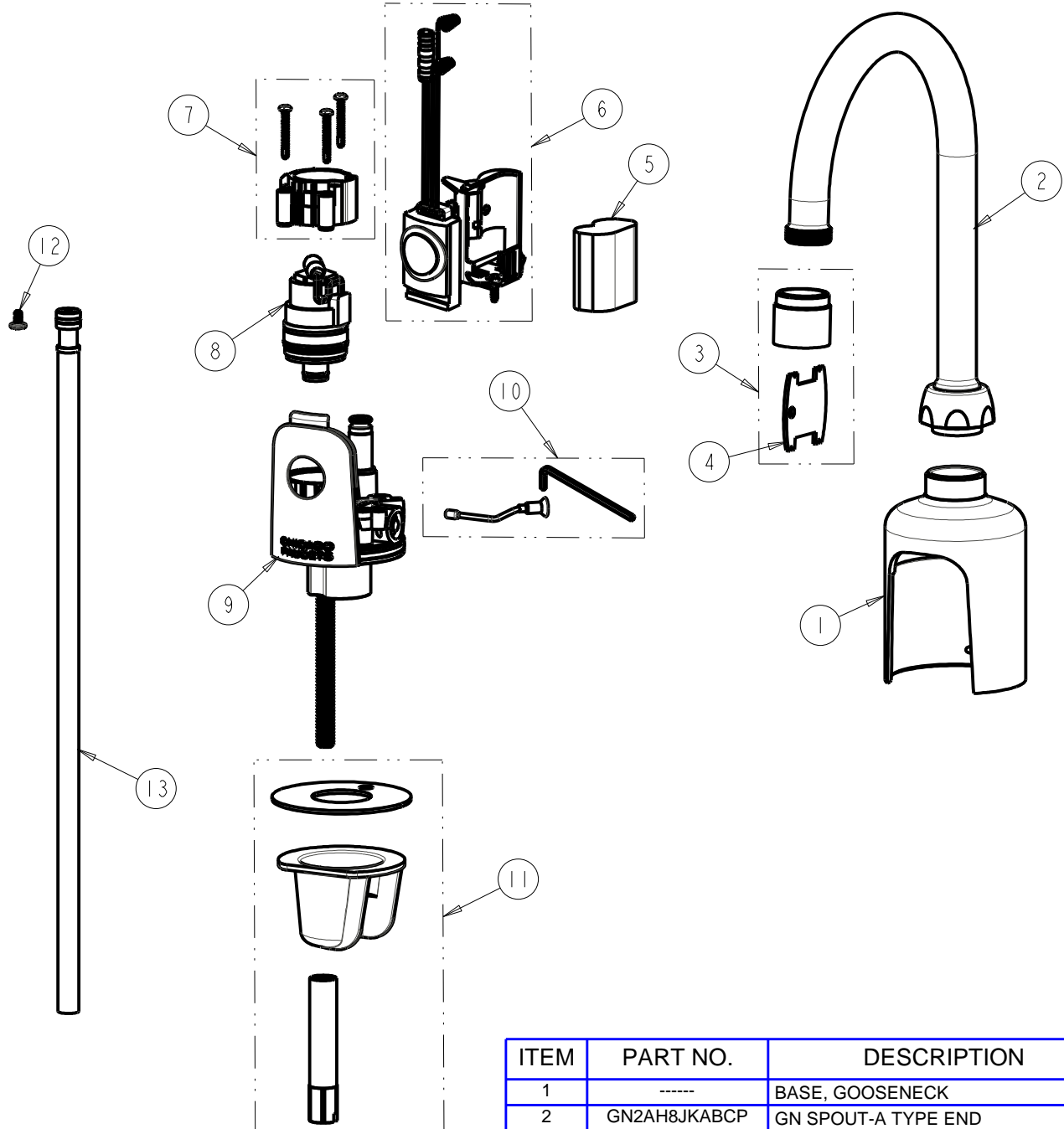
FITTING NO.

116.594.AB.1

SUBMITTED MODEL NO.

ITEM NO.

FOR TECHNICAL ASSISTANCE
1-800-TEC-TRUE (1-800-832-8783)



ITEM	PART NO.	DESCRIPTION
1	-----	BASE, GOOSENECK
2	GN2AH8JKABCP	GN SPOUT-A TYPE END
3	E3VPJKCP	VP SOFTFLO AERATOR 2.2 GPM
4	3-024JKRCF	KEY, VP
5	-----	6V LITHIUM BATTERY CR-P2 NOT SOLD
6	242.433.00.1	KIT, AB MODULE & BATTERY HOLDER
7	242.432.00.1	KIT, AB BONNET
8	240.744.00.1	SOLENOID VALVE
9	-----	BODY, NOT SOLD SEPARATELY
10	240.753.00.1	SHUT-OFF SCREW ASSEMBLY
11	-----	KIT, DECK MOUNTING HARDWARE
12	-----	SCREW, #6-32 X 1/4" PHIL RETAINING
13	240.632.00.1	SUPPLY TUBE ASSEMBLY