

CHICAGO FAUCETS
a Geberit company

2100 South Clearwater Drive
Des Plaines, IL 60018
Phone: 847-803-5000
Fax: 847-803-5454
www.chicagofaucets.com

REPAIR PARTS

FITTING NO.

116.950.AB.1

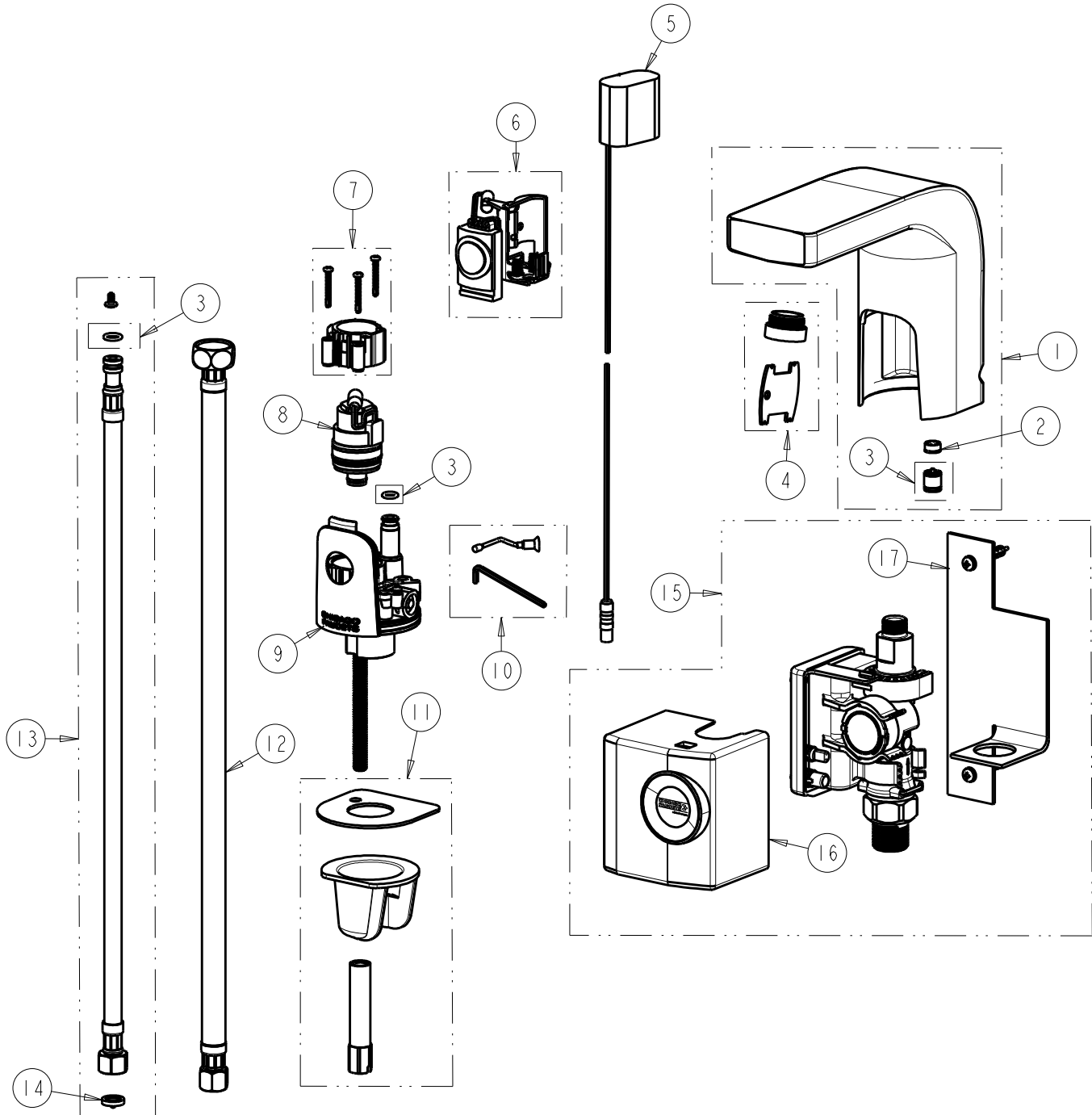
SUBMITTED MODEL NO.

ITEM NO.

FOR TECHNICAL ASSISTANCE
1-800-TEC-TRUE (1-800-832-8783)

BY: JAR DATE: 08-23-12

CHK: REV:



ITEM	PART NO.	DESCRIPTION	ITEM	PART NO.	DESCRIPTION
1	242.816.AB.1	KIT, LAVATORY SPOUT w/ 1.0 GPM	10	240.753.00.1	SHUT-OFF SCREW ASSEMBLY
2	1020-005JKNF	FLOW CONTROL 1.0 GPM MAX	11	242.835.00.1	KIT, DECK MOUNTING HARDWARE
3	241.653.00.1	KIT, CHECK VALVES & O-RINGS	12	—	HOSE, 1/2" IPS x 3/8" COM x 18" L
4	242.802.AB.1	KIT, FLOW STRAIGHTENER	13	240.693.00.1	KIT, SS BRAIDED HOSE (QTY 1)
5	242.568.00.1	GREEN POWER ADAPTER	14	3300-005JKNF	FILTER/SCREEN
6	242.574.00.1	KIT, MODULE TURBINE HYTRONIC	15	242.749.00.1	GENERATOR, COMPLETE UNIT
7	242.432.00.1	KIT, AB BONNET	16	242.750.00.1	COVER, SSPS US
8	240.744.00.1	SOLENOID VALVE	17	242.751.00.1	KIT, WALL MOUNTING SSPS US
9	—	BODY, NOT SOLD SEPARATELY			