

CHICAGO FAUCETS
a Geberit company

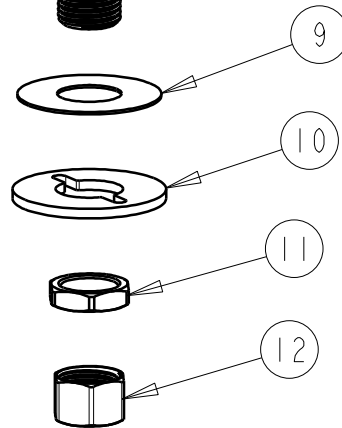
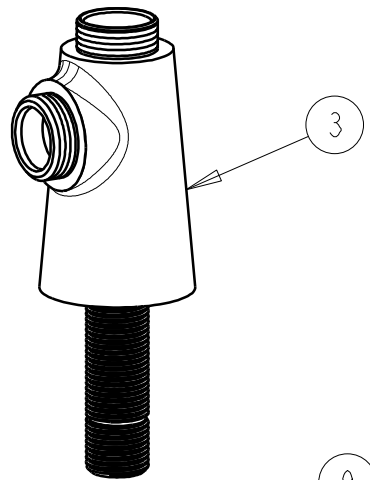
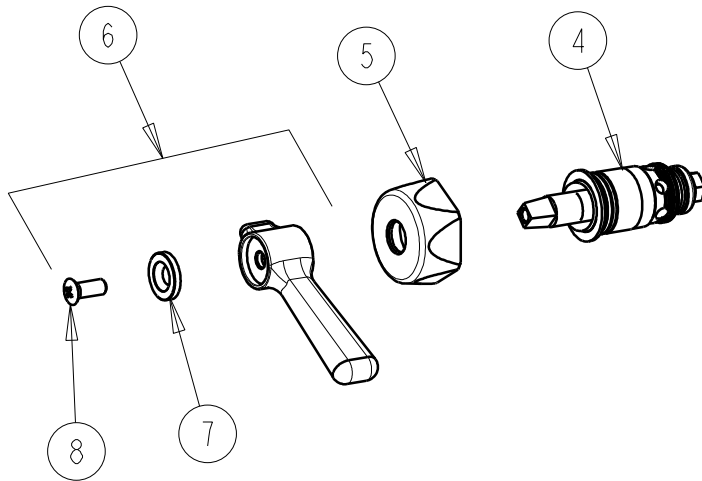
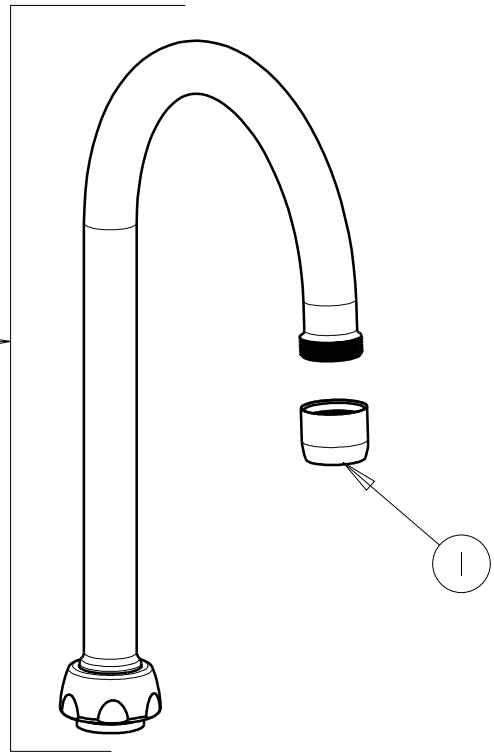
2100 South Clearwater Drive
Des Plaines, IL 60018
Phone: 847-803-5000
Fax: 847-803-5454
www.chicagofaucets.com

REPAIR PARTS

BY: SID DATE: 05-08-09
CHK: *[Signature]* REV:

FITTING NO.
350-LHABCP
SUBMITTED MODEL NO.

FOR TECHNICAL ASSISTANCE
1-800-TEC-TRUE (1-800-832-8783)



ITEM	PART NO.	DESCRIPTION
1	E3JKCP	SOFTFLO AERATOR OUTLET
2	GN2AE3JKCP	FOR PARTS SEE GN2AE3JKCP
3	—	BODY VALVE (NOT SOLD SEPARATELY)
4	AB1-100XTJKNF	QUATURN UNIT (LH)
5	444-005JKCP	CAP
6	369-COLDJKCP	LEVER HANDLE ASSEMBLY
7	633-123JKNF	INDEX BUTTON (BLUE)
8	420-010JKRCF	SCREW, 10-32 UNC PH 1/2
9	52-007JKNF	WASHER, RUBBER
10	807-112JKNF	WASHER
11	49-004JKRBF	LOCKNUT
12	49-005JKRBF	COUPLING NUT