

CHICAGO FAUCETS
a Geberit company

2100 South Clearwater Drive
Des Plaines, IL 60018
Phone: 847-803-5000
Fax: 847-803-5454
www.chicagofaucets.com

REPAIR PARTS

FITTING NO.

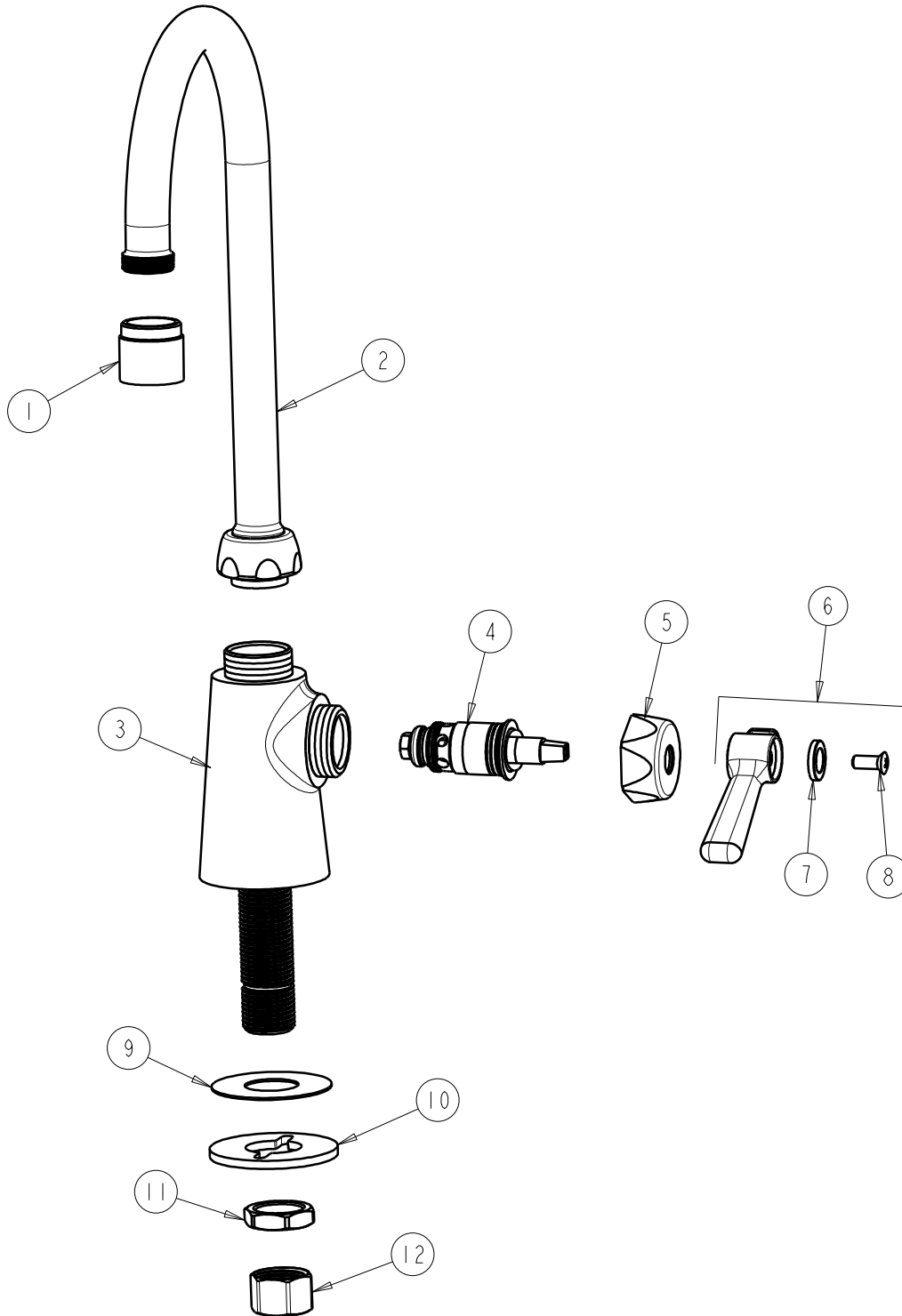
350-VPAABCP

SUBMITTED MODEL NO.

ITEM NO.

FOR TECHNICAL ASSISTANCE
1-800-TEC-TRUE (1-800-832-8783)

BY: SID DATE: 05-07-09
CHK: *[Signature]* REV:



ITEM	PART NO.	DESCRIPTION	ITEM	PART NO.	DESCRIPTION
1	E3VPJKCP	V.R. SOFTFLO AERATOR W/ V.R. KEY	7	633-123JKNF	INDEX BUTTON (BLUE)
2	GN2AJKCP	FOR PARTS SEE GN2AJKCP	8	420-010JKRCF	SCREW, 10-32 UNC PH 1/2
3	---	BODY VALVE (NOT SOLD SEPARATELY)	9	52-007JKNF	WASHER, RUBBER
4	AB1-099XTJKNF	QUATURN UNIT (RH)	10	807-112JKNF	WASHER
5	444-005JKCP	CAP	11	49-004JKRBF	LOCKNUT
6	369-COLDJKCP	LEVER HANDLE ASSEMBLY	12	49-005JKRBF	COUPLING NUT