

**CHICAGO FAUCETS**  
a Geberit company

2100 South Clearwater Drive  
Des Plaines, IL 60018  
Phone: 847-803-5000  
Fax: 847-803-5454  
www.chicagofaucets.com

**REPAIR PARTS**

FITTING NO.

**51-ABCP**

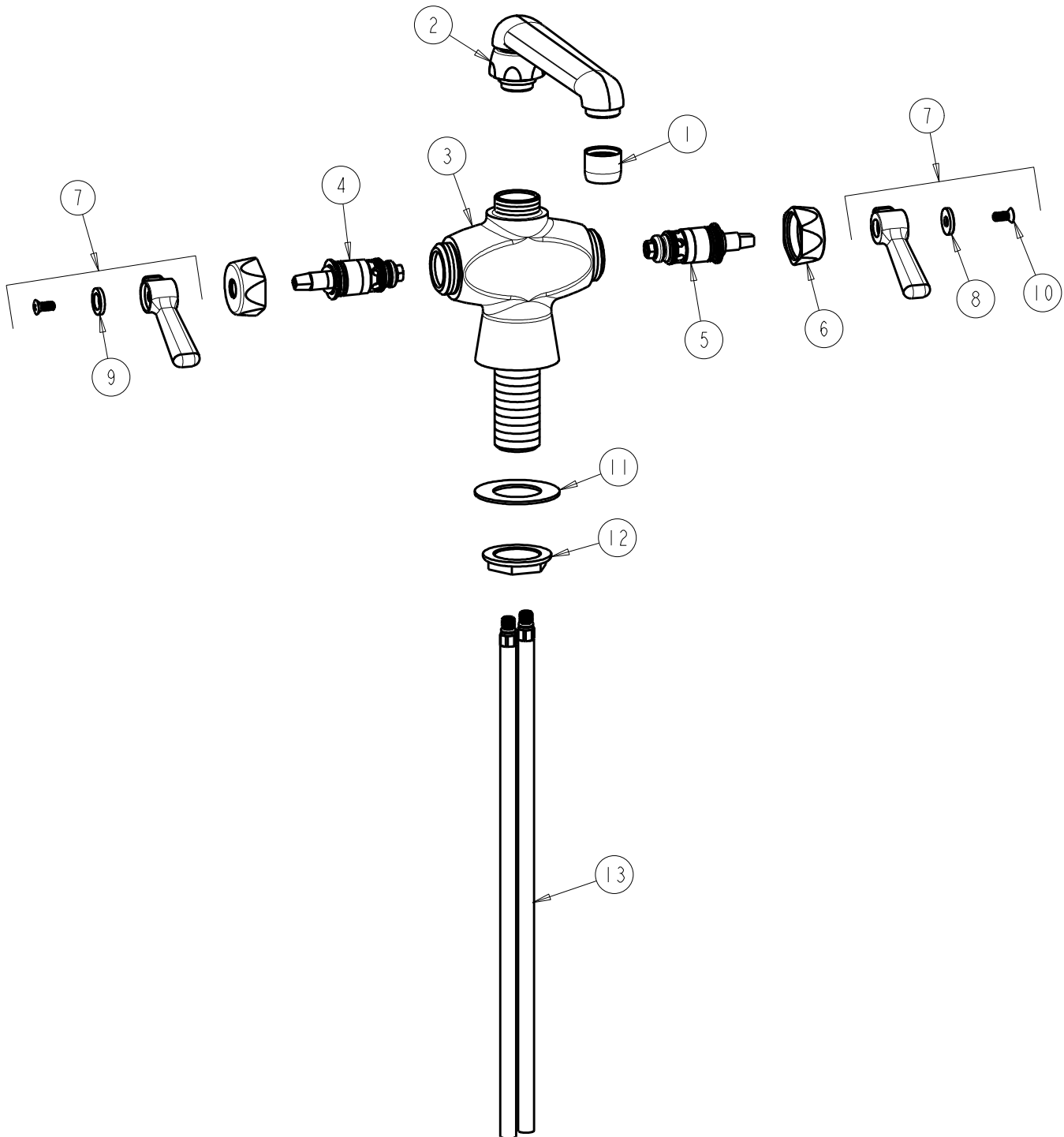
SUBMITTED MODEL NO.

ITEM NO.

BY: SID DATE: 06-04-12

CHK: *[Signature]* REV:

**FOR TECHNICAL ASSISTANCE**  
1-800-TEC-TRUE (1-800-832-8783)



ITEM	PART NO.	DESCRIPTION	ITEM	PART NO.	DESCRIPTION
1	E3JKCP	SOFTFLO AERATOR 2.2 GPM	8	633-123JKNF	INDEX BUTTON (BLUE)
2	S6LESSE3JKCP	SPOUT	9	633-023JKNF	INDEX BUTTON (RED)
3	-----	VALVE BODY (NOT SOLD SEPARATELY)	10	420-010JKRCF	SCREW, 10-32 UNC PH 1/2
4	1-100XTJKABNF	QUATURN CARTRIDGE (LH)	11	50-014JKNF	STEEL WASHER
5	1-099XTJKABNF	QUATURN CARTRIDGE (RH)	12	50-003JKRBF	LOCKNUT
6	444-005JKCP	CAP	13	50-101KJKNF	SUPPLY TUBE ASSEMBLY
7	369-PRJKCP	LEVER HANDLE ASSEMBLY (PAIR)			