

**CHICAGO FAUCETS**  
a Geberit company

2100 South Clearwater Drive  
Des Plaines, IL 60018  
Phone: 847-803-5000  
Fax: 847-803-5454  
www.chicagofaucets.com

# REPAIR PARTS

FITTING NO.

**526-E2E27CP**

SUBMITTED MODEL NO.

ITEM NO.

**FOR TECHNICAL ASSISTANCE**  
**1-800-TEC-TRUE (1-800-832-8783)**

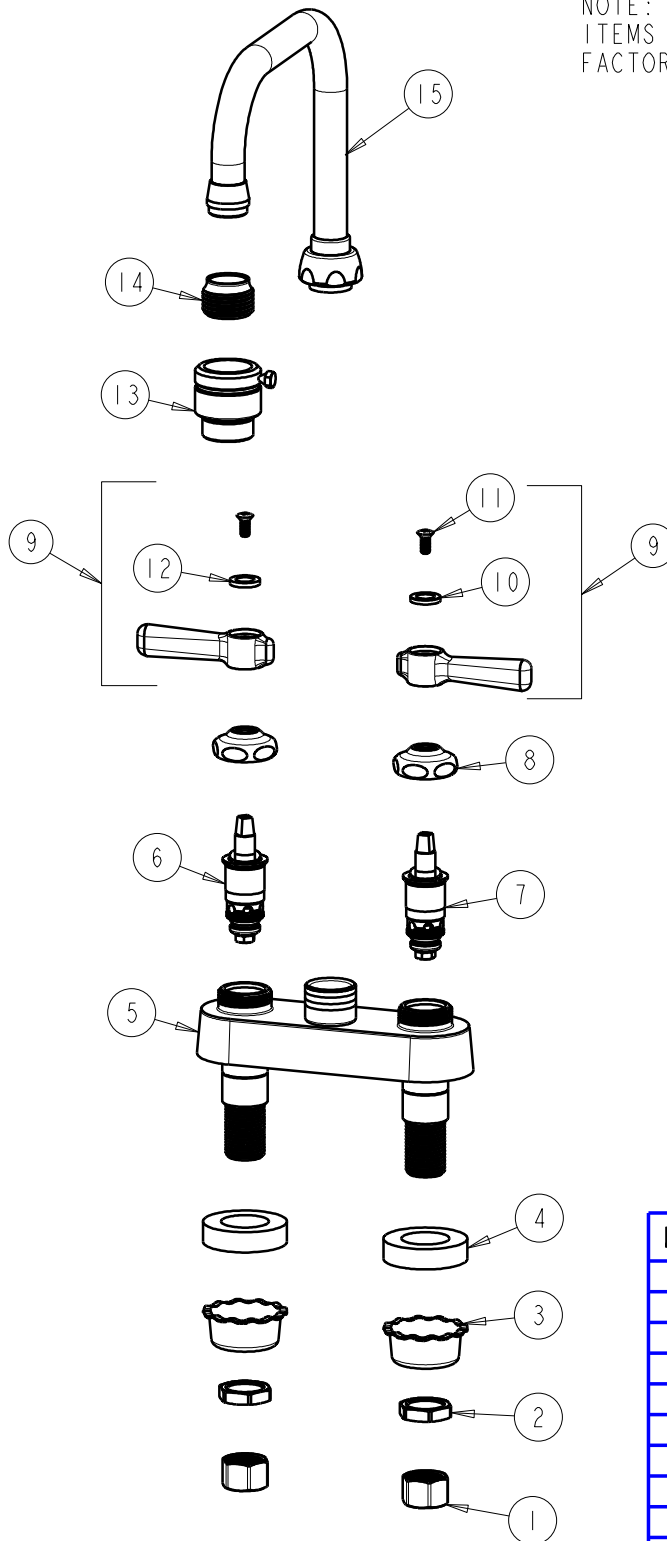
BY: JAR

DATE: 11-16-09

CHK: *[Signature]*

REV:

NOTE:  
ITEMS 14 AND 15 ARE ADHESIVED TOGETHER AT THE  
FACTORY BUT ARE AVAILABLE AS REPLACEMENT PARTS.



ITEM	PART NO.	DESCRIPTION
1	49-005JKRBF	COUPLING NUT
2	49-004JKRBF	LOCKNUT
3	1797-114JKNF	BASIN COCK WASHER
4	555-313JKNF	WASHER
5	—	VALVE BODY (NOT SOLD SEPARATELY)
6	1-100XTJKNF	QUATURN UNIT (LH)
7	1-099XTJKNF	QUATURN UNIT (RH)
8	1-214JKCP	CAP
9	369-PRJKCP	LEVER HANDLE ASSEMBLY (PAIR)
10	633-123JKNF	INDEX BUTTON (BLUE)
11	420-010JKRCF	SCREW, 10-32 UNC PH 1/2
12	633-023JKNF	INDEX BUTTON (RED)
13	E27JKCP	VACUUM BREAKER OUTLET
14	E2JKRCF	HOSE END
15	DB6AJKCP	FOR PARTS SEE DB6AJKCP