

CHICAGO FAUCETS
a Geberit company

2100 South Clearwater Drive
Des Plaines, IL 60018
Phone: 847-803-5000
Fax: 847-803-5454
www.chicagofaucets.com

REPAIR PARTS

FITTING NO.

802-XKABCP

SUBMITTED MODEL NO.

BY: SID

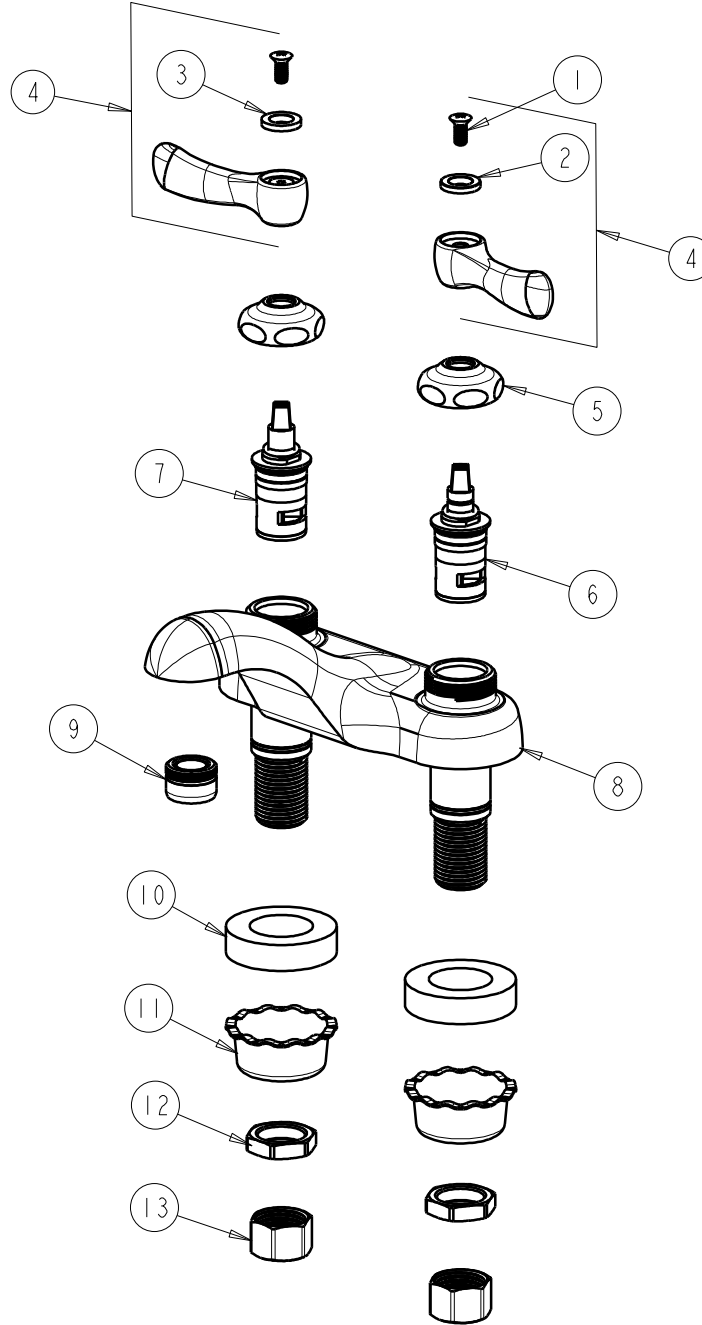
DATE: 05-20-09

CHK: *[Signature]*

REV:

ITEM NO.

FOR TECHNICAL ASSISTANCE
1-800-TEC-TRUE (1-800-832-8783)



ITEM	PART NO.	DESCRIPTION	ITEM	PART NO.	DESCRIPTION
1	420-010JKRCF	SCREW, 10-32 UNC PH 1/2	8	---	VALVE BODY NOT SOLD SEPARATELY
2	633-123JKNF	INDEX BUTTON (BLUE)	9	E12JKCP	SOFTFLO OUTLET
3	633-023JKNF	INDEX BUTTON (RED)	10	555-313JKNF	WASHER
4	390-PRJKCP	LEVER HANDLE ASSEMBLY (PAIR)	11	1797-114JKNF	BASIN COCK WASHER
5	1-214JKCP	CAP	12	49-004JKRBF	LOCKNUT
6	AB1-099XKJKNF	RH CERAMIC CARTRIDGE 1/4 (BOX-12)	13	49-005JKRBF	COUPLING NUT
7	AB1-100XKJKNF	LH CERAMIC CARTRIDGE 1/4 (BOX-12)			