

CHICAGO FAUCETS
a Geberit company

2100 South Clearwater Drive
Des Plaines, IL 60018
Phone: 847-803-5000
Fax: 847-803-5454
www.chicagofaucets.com

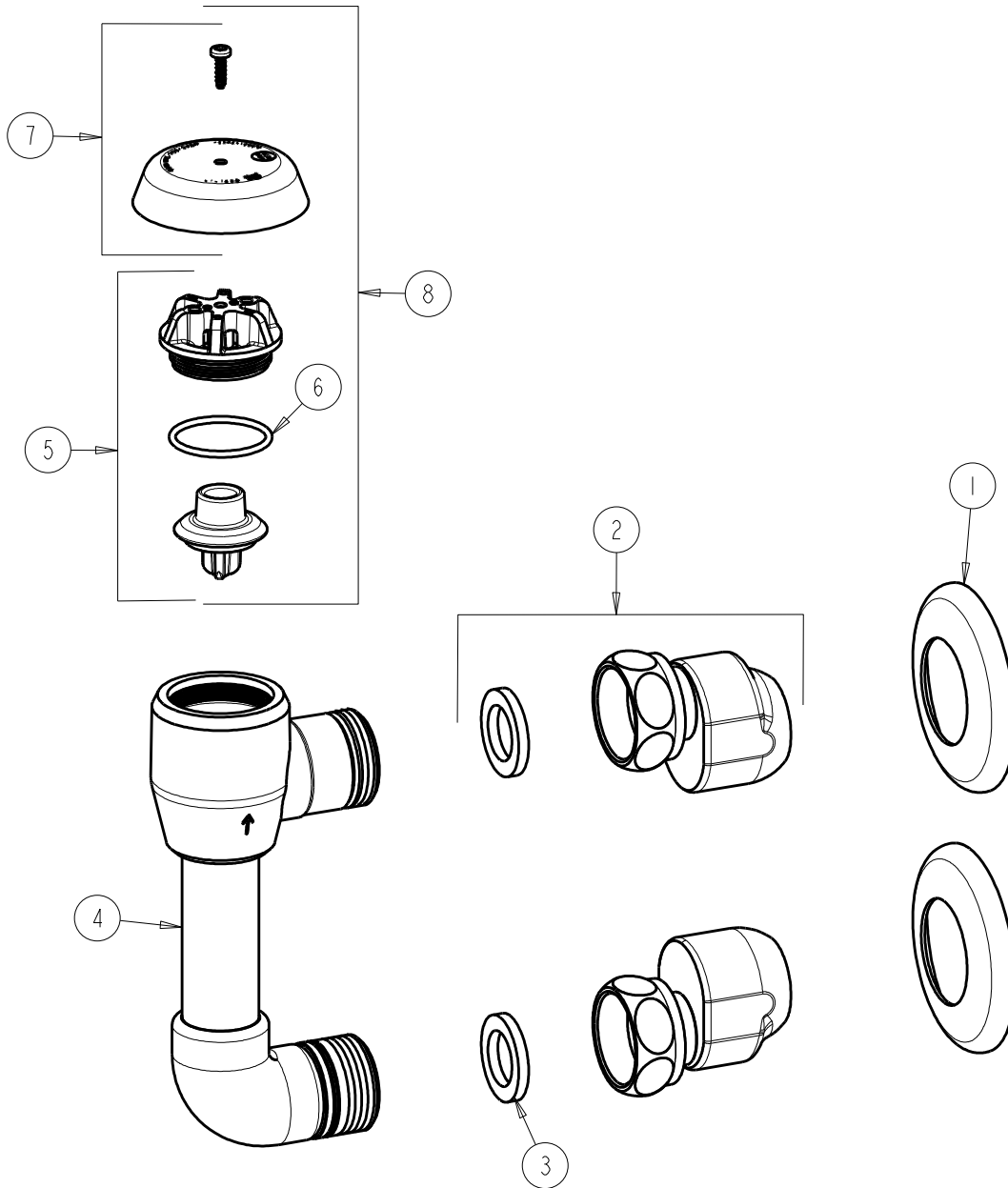
REPAIR PARTS

BY: JAR DATE: 10-27-11
CHK: [Signature] REV:

FITTING NO.
892-GABCP
SUBMITTED MODEL NO.

ITEM NO.

FOR TECHNICAL ASSISTANCE
1-800-TEC-TRUE (1-800-832-8783)



| ITEM | PART NO. | DESCRIPTION | ITEM | PART NO. | DESCRIPTION |
|------|-----------|----------------------------|------|--------------|------------------------------|
| 1 | 1-055JKCP | FLANGE | 5 | 892-302KJKNF | VACUUM BREAKER REPAIR KIT |
| 2 | GJKABCP | ARM ASSEMBLY w/WASHER | 6 | 80-007JKNF | O RING 0.989 X .070 |
| 3 | 1-011JKNF | WASHER, .97 X .62 X .12 | 7 | 892-254KJKCP | VACUUM BREAKER COVER w/SCREW |
| 4 | — | BODY (NOT SOLD SEPARATELY) | 8 | 892-402KJKNF | KIT, VACUUM BREAKERASSEMBLY |