

CHICAGO FAUCETS
a Geberit company

2100 South Clearwater Drive
Des Plaines, IL 60018
Phone: 847-803-5000
Fax: 847-803-5454
www.chicagofaucets.com

REPAIR PARTS

FITTING NO.

928-317SAM

SUBMITTED MODEL NO.

BY: JAR

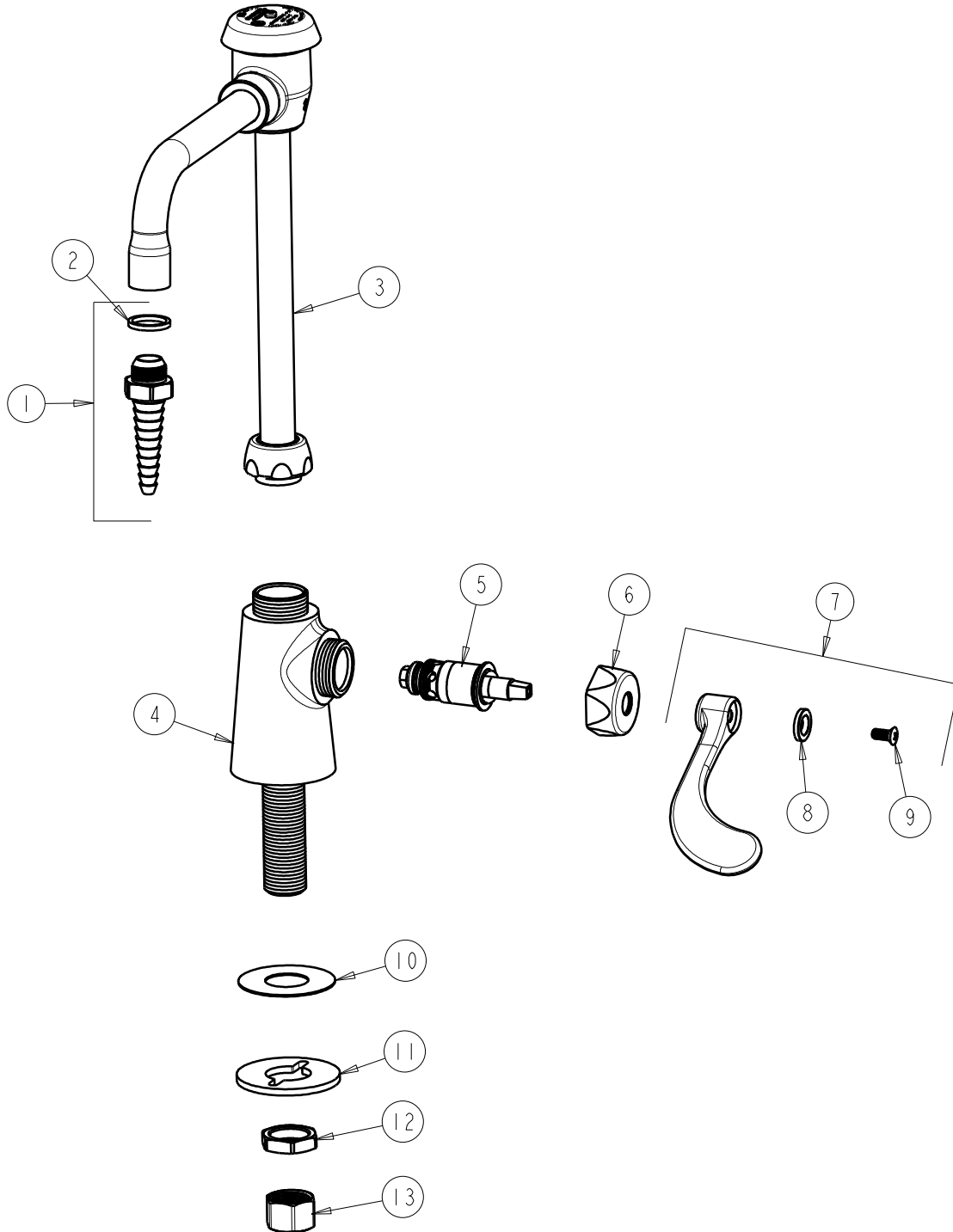
DATE: 09-11-09

CHK: *JAR*

REV:

ITEM NO.

FOR TECHNICAL ASSISTANCE
1-800-TEC-TRUE (1-800-832-8783)



ITEM	PART NO.	DESCRIPTION	ITEM	PART NO.	DESCRIPTION
1	E7JKSAM	SERRATED HOSE NOZZLE	8	633-123JKNF	INDEX BUTTON (BLUE)
2	229-003JKNF	WASHER	9	420-010JKRCF	SCREW, 10-32 UNC PH 1/2
3	GN2BVBJKSAM	VACUUM BREAKER SWING SPOUT	10	52-007JKNF	WASHER, RUBBER
4	---	BODY VALVE (NOT SOLD SEPARATELY)	11	807-112JKNF	WASHER
5	1-099XTJKNF	QUATURN UNIT (RH)	12	49-004JKRBF	LOCKNUT
6	444-005JKSAM	CAP	13	49-005JKRBF	COUPLING NUT
7	317-JKSAM	HANDLE, WRISTBLADE ANTIMICROBIAL			