

**CHICAGO FAUCETS**  
a Geberit company

2100 South Clearwater Drive  
Des Plaines, IL 60018  
Phone: 847-803-5000  
Fax: 847-803-5454  
www.chicagofaucets.com

**REPAIR PARTS**

FITTING NO.

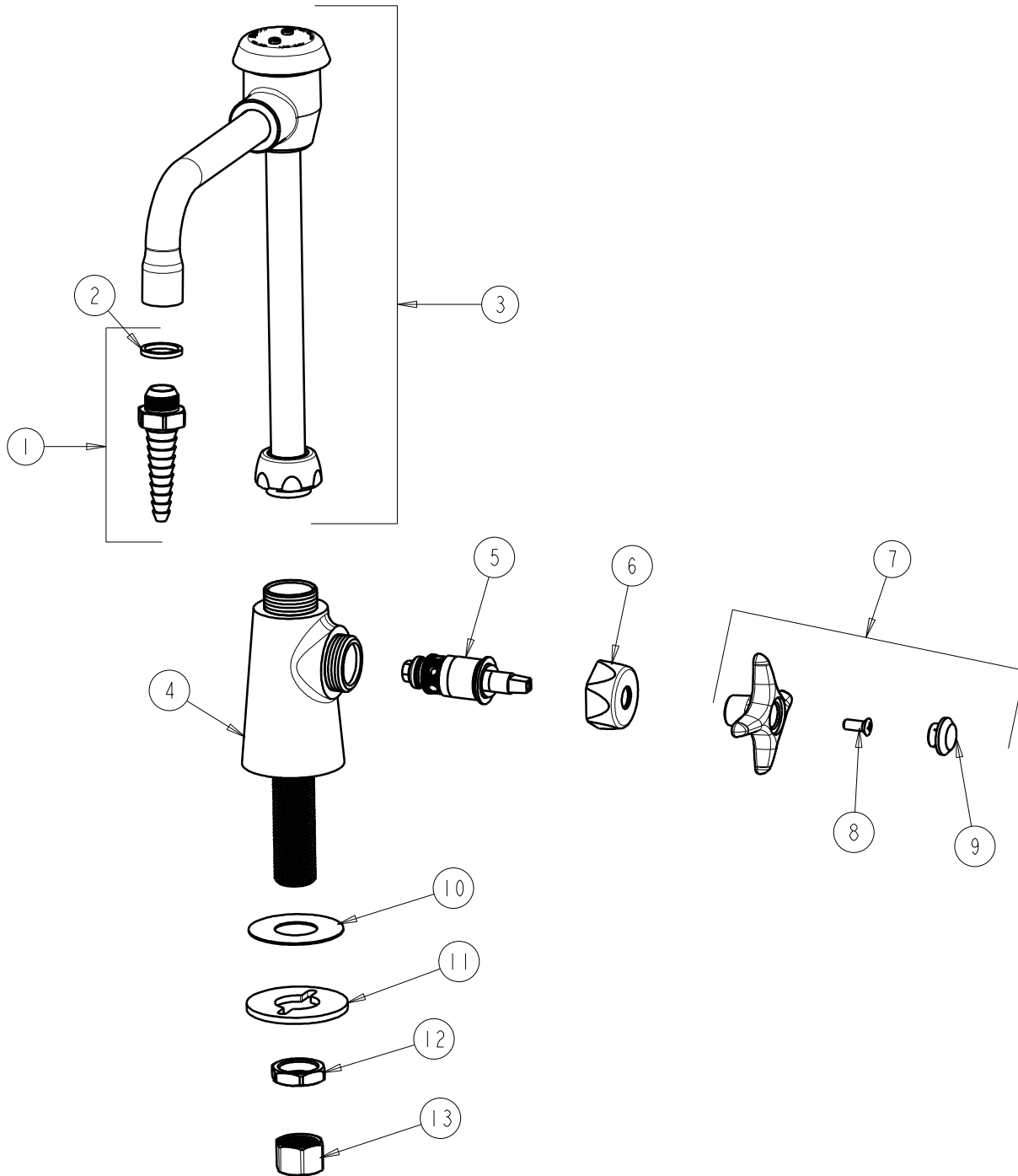
**928-CP**

SUBMITTED MODEL NO.

ITEM NO.

**FOR TECHNICAL ASSISTANCE**  
1-800-TEC-TRUE (1-800-832-8783)

BY: SID    DATE: 10-31-01  
CHK: *[Signature]*    REV: 04-16-09



ITEM	PART NO.	DESCRIPTION	ITEM	PART NO.	DESCRIPTION
1	E7JKCP	SERRATED HOSE NOZZLE	8	420-010JKRCF	SCREW, 10-32 UNC PH 1/2
2	229-003JKNF	WASHER	9	216-178JKNF	BUTTON 'CW'
3	GN2BVBE7JKCP	VACUUM BREAKER SWING SPOUT	10	52-007JKNF	WASHER, RUBBER
4	---	BODY VALVE (NOT SOLD SEPARATELY)	11	807-112JKNF	WASHER
5	217-XTLHJKNF	CARTRIDGE, SLO-COMPRESSION	12	49-004JKRBF	LOCKNUT
6	444-005JKCP	CAP	13	49-005JKRBF	COUPLING NUT
7	204-CWJKCP	HANDLE ASSEMBLY			