

CHICAGO FAUCETS
a Geberit company

2100 South Clearwater Drive
Des Plaines, IL 60018
Phone: 847-803-5000
Fax: 847-803-5454
www.chicagofaucets.com

REPAIR PARTS

FITTING NO.

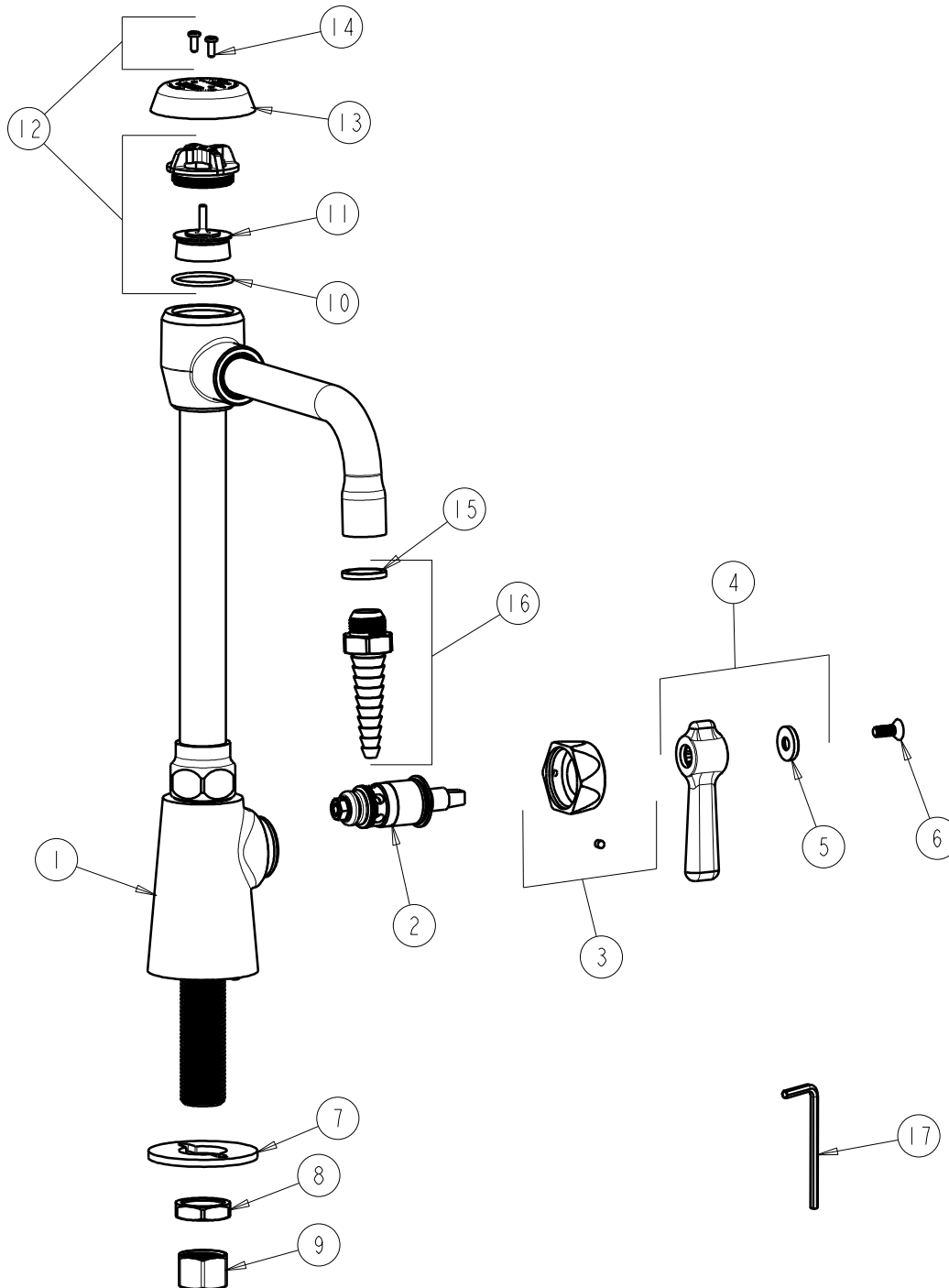
928-VR369CP

SUBMITTED MODEL NO.

ITEM NO.

FOR TECHNICAL ASSISTANCE
1-800-TEC-TRUE (1-800-832-8783)

BY: SID DATE: 04-17-09
CHK: *[Signature]* REV:



ITEM	PART NO.	DESCRIPTION	ITEM	PART NO.	DESCRIPTION
1	—	BODY VALVE (NOT SOLD SEPARATELY)	10	80-007JKNF	O-RING
2	1-099XTJKNF	QUATURN UNIT (RH)	11	892-032KJKNF	VACUUM BREAKER DISC ASSEMBLY
3	444-105JKCP	VP CAP NUT WITH VR SCREW	12	892-202KJKNF	VACUUM BREAKER REPAIR KIT
4	369-COLDJKCP	LEVER HANDLE ASSEMBLY	13	892-154JKCP	VACUUM BREAKER COVER
5	633-123JKNF	INDEX BUTTON (BLUE)	14	333-321JKNF	VACUUM BREAKER TORX SCREW
6	420-020JKNF	SCREW, 1/8 FLAT HEX HEAD X 1/2	15	229-003JKNF	WASHER
7	807-112JKNF	WASHER	16	E7JKCP	SERRATED HOSE NOZZLE
8	49-004JKRBF	LOCKNUT	17	420-022JKNF	VANDAL PROOF WRENCH, 1/8 HEX
9	49-005JKRBF	COUPLING NUT			