

CHICAGO FAUCETS
a Geberit company

2100 South Clearwater Drive
Des Plaines, IL 60018
Phone: 847-803-5000
Fax: 847-803-5454
www.chicagofaucets.com

REPAIR PARTS

BY: SID DATE: 10-24-11

CHK: *[Signature]* REV:

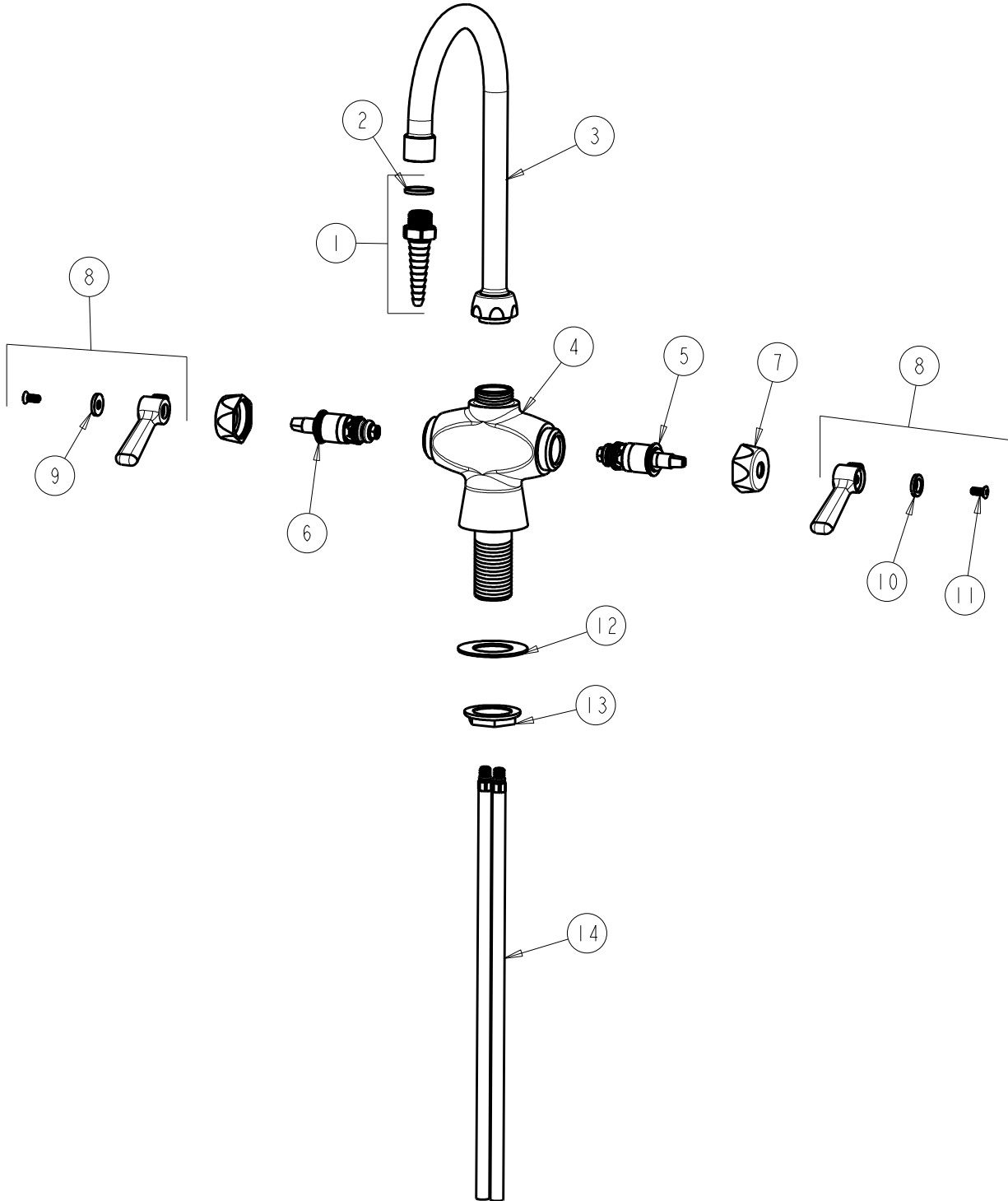
FITTING NO.

929-369CP

SUBMITTED MODEL NO.

ITEM NO.

FOR TECHNICAL ASSISTANCE
1-800-TEC-TRUE (1-800-832-8783)



ITEM	PART NO.	DESCRIPTION	ITEM	PART NO.	DESCRIPTION
1	E7JKCP	SERRATED HOSE NOZZLE	8	369-PRJKCP	LEVER HANDLE ASSEMBLY (PAIR)
2	229-003JKNF	WASHER	9	633-023JKNF	INDEX BUTTON (RED)
3	GN2BJKCP	FOR PARTS SEE GN2BJKCP	10	633-123JKNF	INDEX BUTTON (BLUE)
4	---	VALVE BODY NOT SOLD SEPARATELY	11	420-010JKRCF	SCREW, 10-32 UNC PH 1/2
5	1-099XTJKNF	QUATURN UNIT (RH)	12	50-014JKNF	STEEL WASHER
6	1-100XTJKNF	QUATURN UNIT (LH)	13	50-003JKRBF	LOCKNUT
7	444-005JKCP	CAP	14	50-101KJKNF	SUPPLY TUBE ASSEMBLY