

Manual and Metering Faucets

Product Type

Wall Mounted 8" Fixed Centers Concealed Hot and Cold Water Sink Faucet with Integral Service Stops

Features & Specifications

- 8" Fixed Centers
- 5-3/4" Rigid Short Spout with Wall Flange and Pail Hook
- 3" Cross Handle
- Ceramic 1/4 Turn Operating Cartridge
- Elevated Vacuum Breaker Assembly
- 1/2" NPT Female Thread Inlets
- 3/4" Male Hose Thread Outlet
- Elevated Atmospheric Vacuum Breaker, Not Intended for Continuous Pressure Applications
- Wall Brace Assembly
- Atmospheric Vacuum Breaker, Not Intended for Continuous Pressure Applications

Performance Specification

- Rated Operating Pressure: 20-125 PSI
- Rated Operating Temperature: 40-140°F

Warranty

- Lifetime Limited Faucet Warranty
- 5-Year Limited Cartridge Warranty
- 1-Year Limited Finish Warranty

Codes & Standards

- ASME A112.18.1/CSA B125.1
- Certified to NSF/ANSI 61, Section 9 by CSA

Job Name _____

Item Number _____

Section/Tag _____

Model Specified _____

Architect _____

Engineer _____

Contractor _____

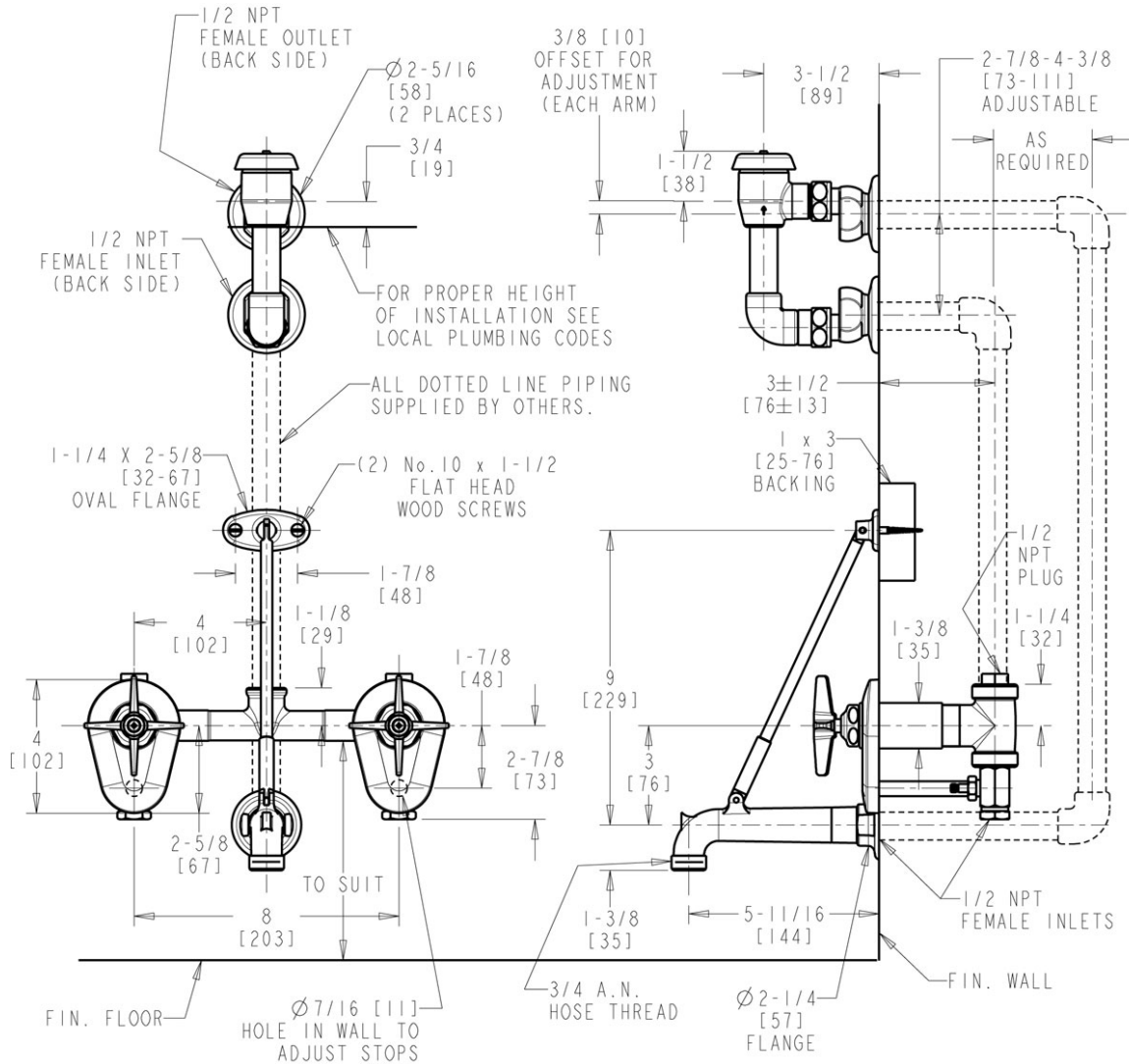
Submitted as Shown Submitted with Variations

Date _____



Architect/Engineer Specification

Chicago Faucets No. 911-ISXKCP, Wall Mounted 8" Fixed Centers Concealed Hot and Cold Water Sink Faucet with Integral Service Stops, Chrome Plated solid brass construction. 5-3/4" Center to Center Rigid Short Spout with Wall Flange and Pail Hook. 3" Metal Cross handle(s) with Eight Point Tapered Broach and Secured Blue and Red Buttons. Ceramic quarter turn cartridge, features square tapered stem. Elevated Vacuum Breaker Assembly. 1/2" NPT Female Thread Inlets. 3/4" Male Hose Thread Outlet. Elevated Atmospheric Vacuum Breaker, Not Intended for Continuous Pressure Applications. Wall Brace Assembly. Atmospheric Vacuum Breaker, Not Intended for Continuous Pressure Applications. This product is tested and certified to industry standards: ASME A112.18.1/CSA B125.1, and Certified to NSF/ANSI 61, Section 9 by CSA.



Operation and Maintenance

Installation should be in accordance with local plumbing codes. Flush all pipes thoroughly before installation. After installation, remove spout outlet or flow control and flush faucet thoroughly to clear any debris. Care should be taken when cleaning the product. Do not use abrasive cleaners, chemicals or solvents as they can result in surface damage. Use mild soap and warm water for cleaning and protecting the life of Chicago Faucet products. For specific operation and maintenance refer to the installation instructions and repair parts documents that are located at www.chicagofaucets.com.

Chicago Faucets, member of the Geberit Group, is the leading brand of commercial faucets and fittings in the United States, offering a complete range of products for schools, laboratories, hospitals, office buildings, food service, airports and sport facilities. Call 1.800.TECTRUE or 1.847.803.5000 Option 1 for installation or other technical assistance.



2100 South Clearwater Drive
Des Plaines, IL
P: 847/803-5000
F: 847/803-5454
Technical: 800/TEC-TRUE
www.chicagofaucets.com