



ROMAN TUB HAND HELD SHOWER

- Roman tub deck mount hand held shower
- Ledge or wall mount transfer valve

STANDARD SPECIFICATIONS:

- Solid fabricated brass body.
- Ledge or wall mount transfer valve for maximum 1 11/16" (43 mm) deck thickness.
- 69" (1753 mm) flexible hose.
- LHP-Less handle program. See handle options below.
- Control mechanism is a rotating cylinder type with stainless steel plate and 180° rotation, with replaceable non-metallic seats operating in stainless steel lined sockets.
- All operating parts shall be replaceable from the top.
- 1/2"-14 NPSM threaded female inlets and outlets.
- Do not install hot and cold inlet water supplies directly to transfer valve. Must be installed to another valve in order to control volume and temperature.
- Handshower includes double check valves for backflow prevention.

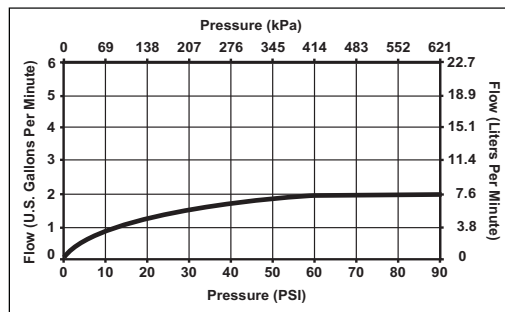
WARRANTY

- Lifetime limited warranty on parts (other than electronic parts and batteries) and finishes: or, for commercial users, for 5 years from date of purchase.
- 5 year limited warranty on electronic parts (other than batteries); or, for commercial users, for 1 year from the date of purchase. No warranty is provided on batteries.

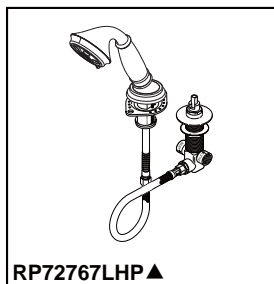


COMPLIES WITH:

- ASME A112.18.1 / CSA B125.1
- Indicates compliance to ICC/ANSI A117.1
- EPA WaterSense®



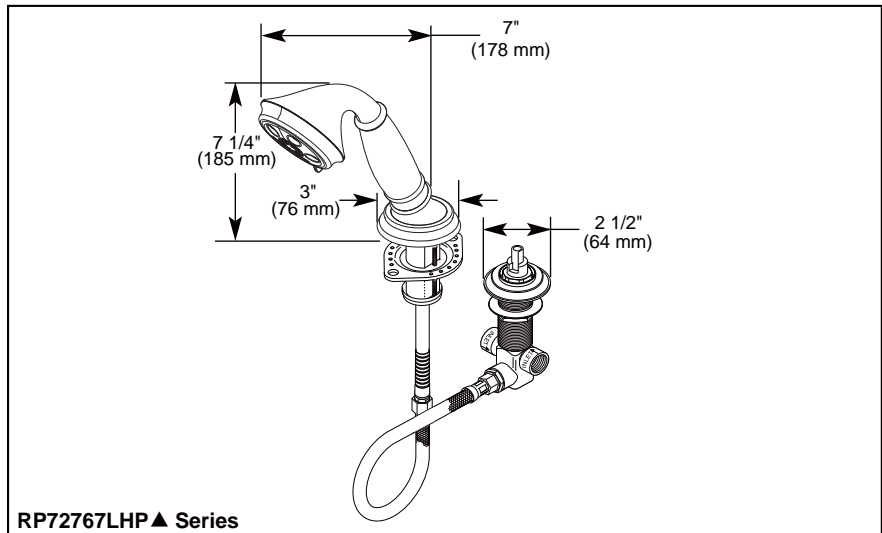
55 E 111th Street, Indianapolis, Indiana 46280
 350 South Edgeware Road, St. Thomas, ON N5P 4L1
 © 2013 Masco Corporation of Indiana



RP72767LHP▲

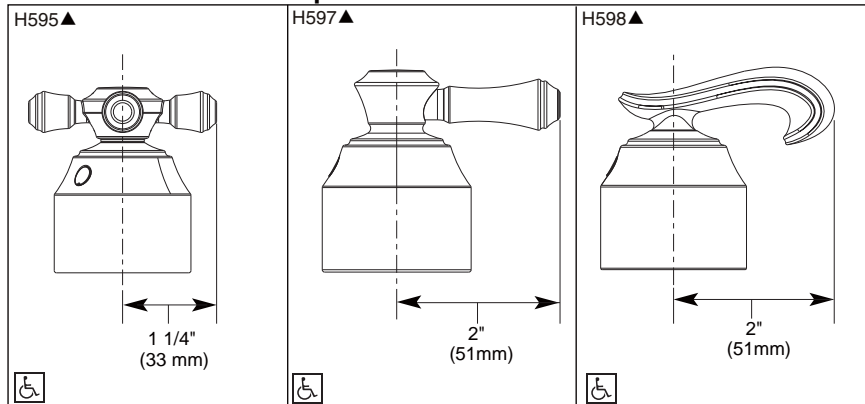
Submitted Model No.:

Specific Features:



RP72767LHP▲ Series

Available LHP Handle Options



▲ Designate proper finish suffix

Delta reserves the right (1) to make changes in specifications and materials, and (2) to change or discontinue models, both without notice or obligation. Dimensions are for reference only. See current full-line price book or www.deltafaucet.com for finish options and product availability.