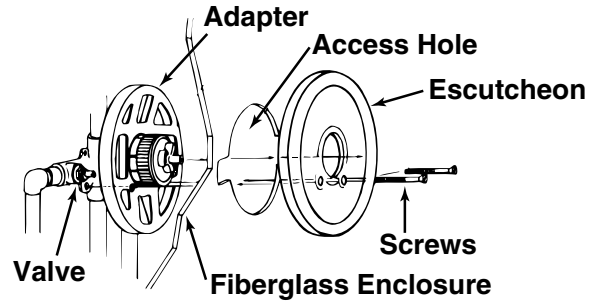


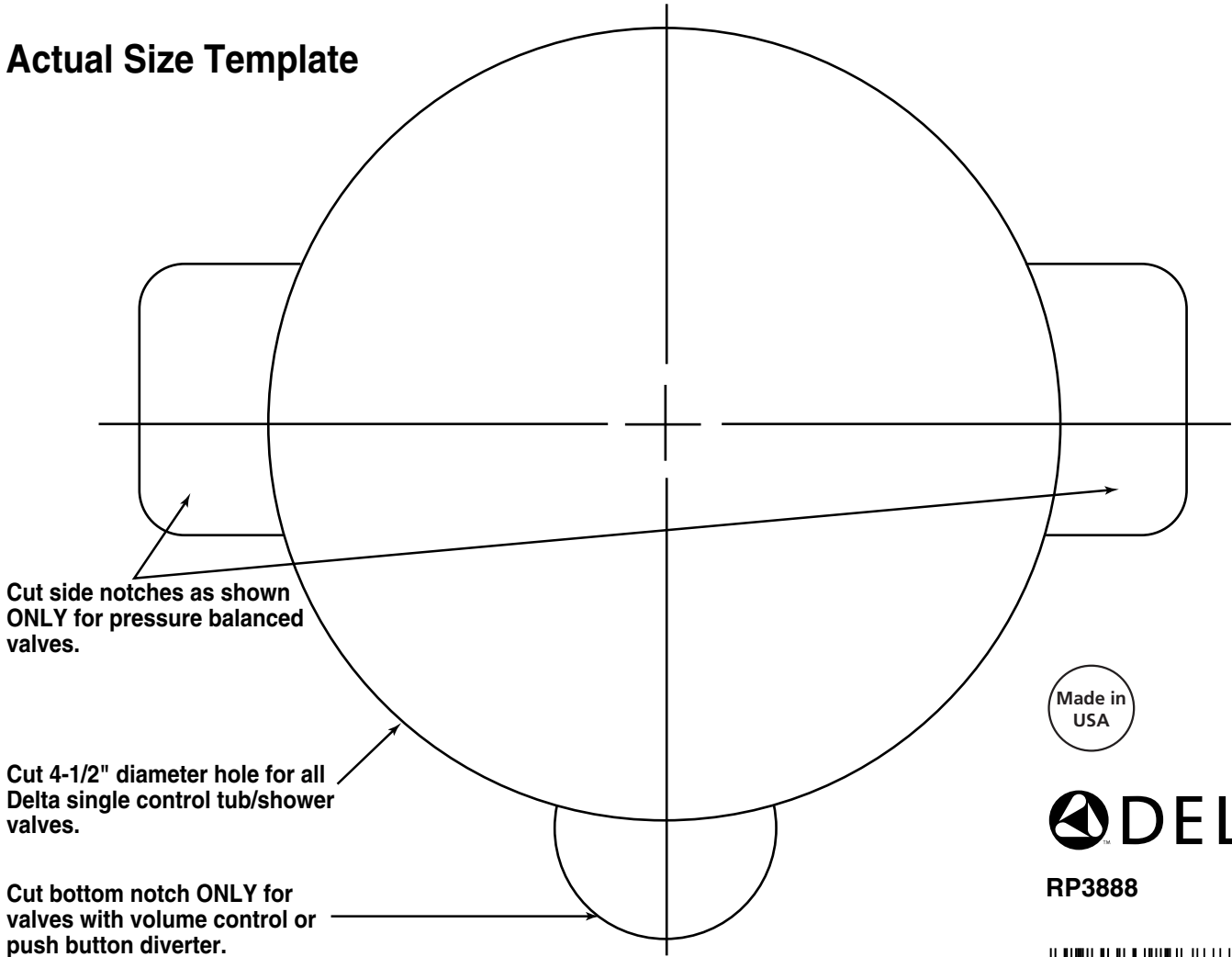


### Thin Wall Enclosure Installation of Delta Valve

1. After valve rough-in has been completed, slide mounting kit adapter over valve body as shown and leave in place.
2. Cut access hole in enclosure by using appropriate template outline on this card.
3. Install fiberglass enclosure.
4. Mount escutcheon by securing screws through escutcheon, access hole and adapter to valve.



### Actual Size Template



RP3888



1 (800) 345-DELTA (3358)  
[www.deltafaucet.com](http://www.deltafaucet.com)

©2003 Delta Faucet Company  
A Division of Masco Corporation of Indiana  
State Road 46 West, P.O. Box 47, Greensburg, IN 47240