

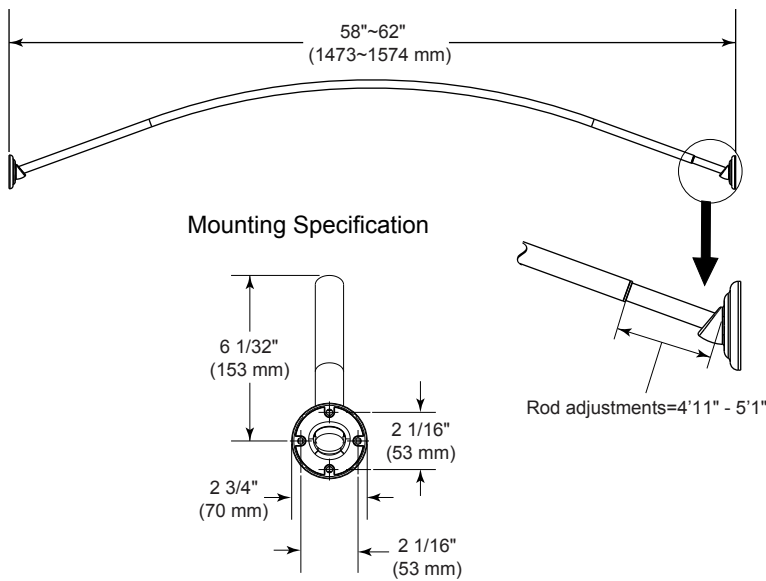
## ACCESSORIES

### ■ Curved Shower Rods

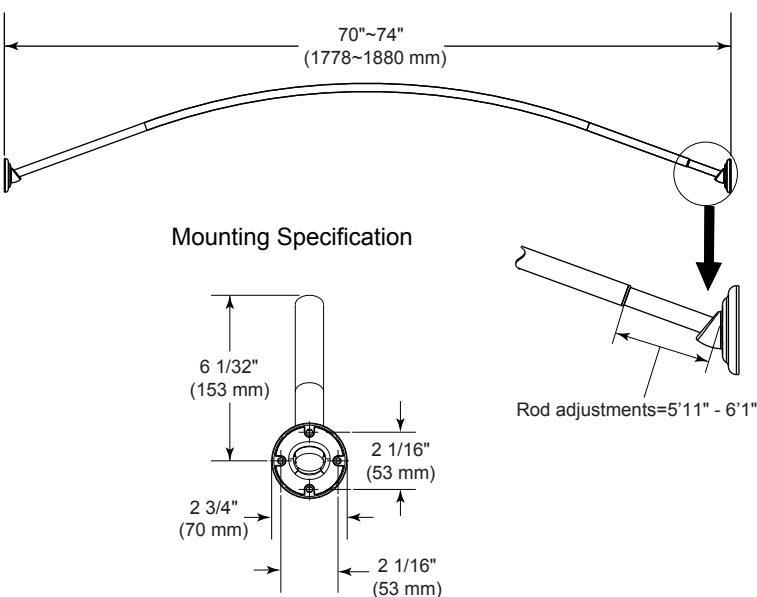
Submitted Model No.: \_\_\_\_\_

Specific Features: \_\_\_\_\_

#### 42205-SS & 42205-ST



#### 42206-SS & 42206-ST



#### ▲ Designate proper finish suffix

Delta reserves the right (1) to make changes in specifications and materials, and (2) to change or discontinue models, both without notice or obligation. Dimensions are for reference only. See full-line price book or [www.specselect.com](http://www.specselect.com) for finish options and product availability.

#### STANDARD SPECIFICATIONS

- Adjustable curved shower rods.
- Oval design prevents rotation and wet floors.
- 1" tubing stainless steel.
- 6" bow.
- Wood blocking is preferable behind all wall surfaces. If wood blocking is not available, use anchors or plugs provided with screws.
- Mounting hardware and mounting template included with product.

#### WARRANTY

- Lifetime Faucet and Finish Limited Warranty to the Original consumer purchaser to be free from defects in material and workmanship.
- 5 Year Limited Warranty for usage in all Industrial, Commercial and business applications.



Liberty Hardware Manufacturing Corporation  
 140 Business Park Drive  
 Winston-Salem, NC 27107  
 800.542.3789  
[www.libertyhardware.com](http://www.libertyhardware.com)  
 ©2010 LHMC, A Masco Company