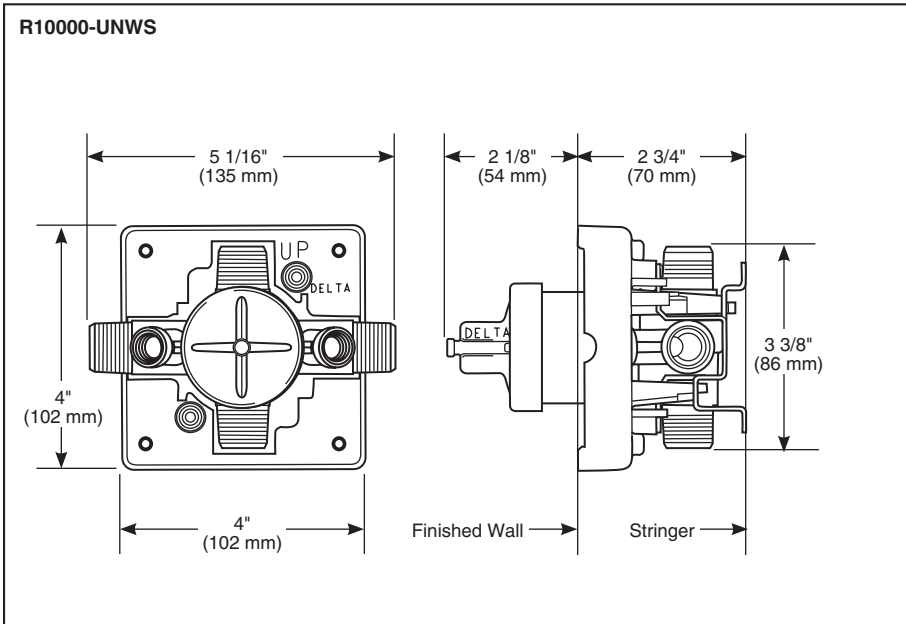
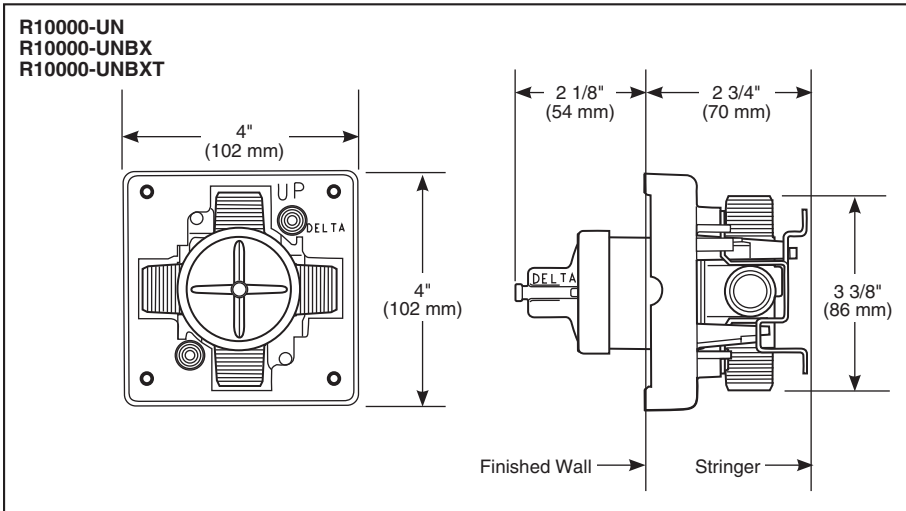


Submitted Model No.: _____
 Specific Features: _____



- R10000-UN (Case Qty 12)
- R10000-UNBX (Case Qty 3)
- R10000-UNBXT (Case Qty 3)
- R10000-UNWS (Case Qty 12)
- R10000-PX (Case Qty 12)
- R10000-PXWS (Case Qty 12)
- R10000-IP (Case Qty 12)
- R10000-IPWS (Case Qty 12)
- R10000-MF (Case Qty 12)
- R10000-MFWS (Case Qty 12)
- R10000-UNBXHF (Case Qty 3)

STANDARD SPECIFICATIONS:

- Forged brass body.
- Back-to-Back installation capabilities.
- Can be tested with air (200 PSI) or water (300 PSI) without valve using supplied test cap.
- Square plasterguard allows for right angle cuts.
- Thin wall mounting.
- For use with MultiChoice[®] Universal single or dual function trim. Cartridge ships with trim.

Note: No tub outlet in HF model.

Note: Should use proper fitting with each type (copper tubing, iron pipe, and pex fitting).

Note: Should use proper tooling with crimping pex fitting and cold expansion pex models.


COMPLIES WITH:

- ASME A112.18.1 / CSA B125.1