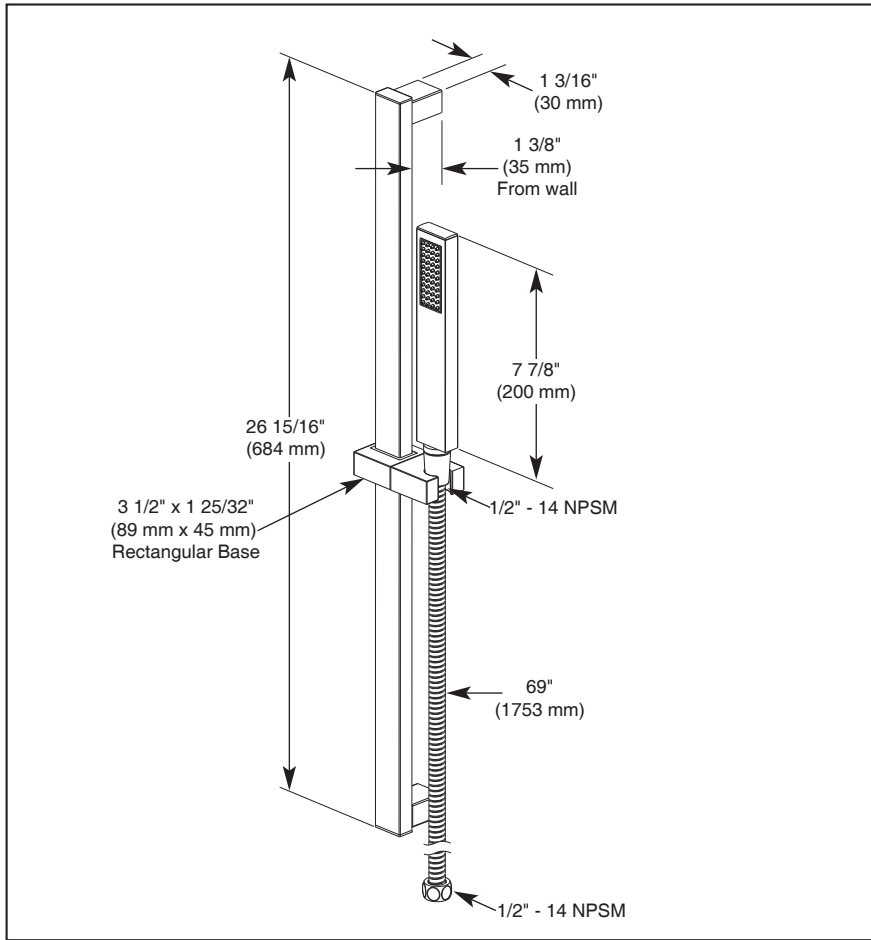


Submitted Model No.: _____
 Specific Features: _____



▲ Designate proper finish suffix

◆ Your Delta Faucet hand shower incorporates a backflow protection system that has been tested to be in compliance with ASME A112.18.3 and ASME A112.18.1/CSA B125.1. It incorporates two certified check valves in series, which operate independently and are integral, non-serviceable parts of the wand assembly.

Delta reserves the right (1) to make changes in specifications and materials, and (2) to change or discontinue models, both without notice or obligation. Dimensions are for reference only. See full-line price book or www.specselect.com for finish options and product availability.

DSP-B-57530 Rev. A



ON-WALL HAND SHOWER

- Vero Bath Collection
- Hand Shower with Full Spray Pattern and Touch Clean Nubs
- Certified Dual Check Valves
- 69" (1753 mm) Metal Hose with Matching Finish

STANDARD SPECIFICATIONS:

- Hand shower with full spray pattern and touch clean nubs.
- Certified dual check valves.
- 2.5 gpm @ 80 psi (9.5 L/min @ 552 kPa)
- 69" (1753 mm) flexible metal hose in matching finish.

WARRANTY

- Lifetime Faucet and Finish Limited Warranty to the original consumer purchaser to be free from defects in material and workmanship.
- 5 Year Limited Warranty for usage in all industrial, commercial and business applications.



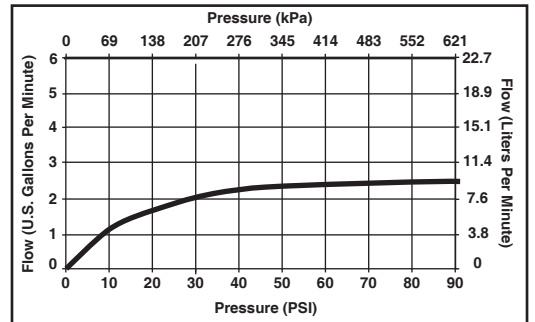
COMPLIES WITH

- ASME A112.18.1 / CSA B125.1 ◆

Spray Pattern



Full Spray



55 E. 111th Street, Indianapolis, Indiana 46280
 395 Matheson Blvd. E., Mississauga, ON L4Z 2H2
 © 2010 Masco Corporation of Indiana