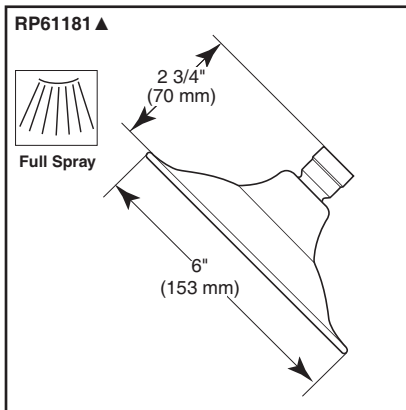
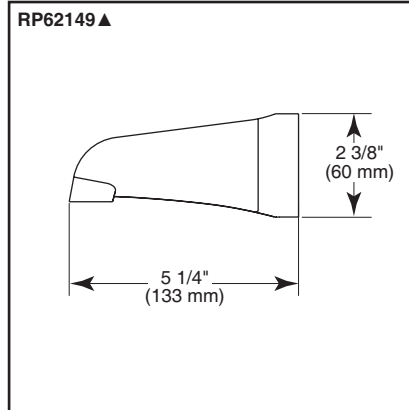
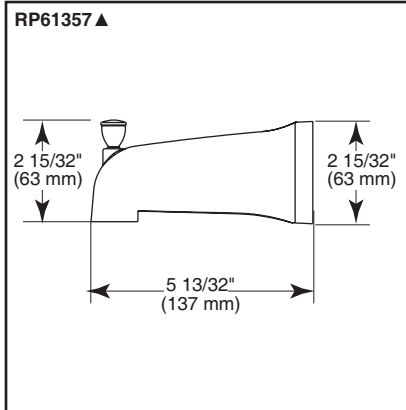
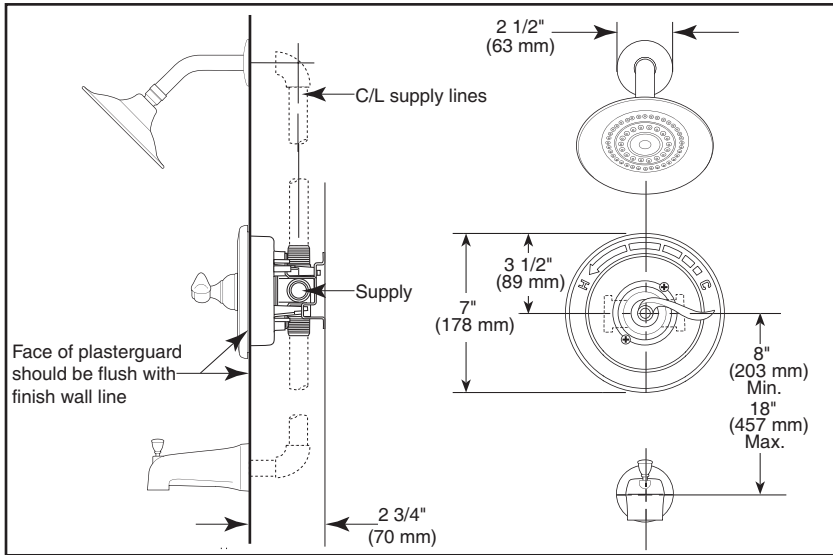


Submitted Model No.: _____
 Specific Features: _____



▲ Designate proper finish suffix

Delta reserves the right (1) to make changes in specifications and materials, and (2) to change or discontinue models, both without notice or obligation. Dimensions are for reference only. See full-line price book or www.specselect.com for finish options and product availability.



TUB AND SHOWER FAUCET TRIM

- Windemere® Bath Collection
- Valve Only (BT14096 Series)
- Shower Only (BT14296 Series)
- Tub/Shower (BT14496 Series)

STANDARD SPECIFICATIONS

- Monitor® 14 Series pressure balanced bath mixing valve with Scald-Guard®.
- Back-to-back installation capability.
- Solid brass forged body.
- Field adjustable means to limit handle rotation into hot water zone.
- 120° - maximum handle rotation.
- For use with MultiChoice® Universal rough valve body. (R10000 Series)
- All parts replaceable from the front of the valve.
- Temperature only controlled with handle.
- Maintains a balanced pressure of hot and cold water even when a valve is turned on or off elsewhere in the system.
- 1/2" -14 threaded tub spout.

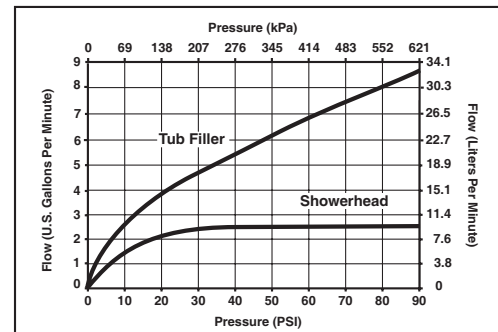
WARRANTY

- Lifetime Faucet and Finish Limited Warranty to the Original consumer purchaser to be free from defects in material and workmanship.
- 5 Year Limited Warranty for usage in all Industrial, Commercial and business applications.



COMPLIES WITH

- ASME A112.18.1 / CSA B125.1
- ASSE 1016
- CSA Certified
- Indicates compliance to ICC/ANSI A117.1



55 E. 111th Street, Indianapolis, Indiana 46280
 395 Matheson Blvd. E., Mississauga, On L4Z 2H2
 © 2009 Masco Corporation of Indiana