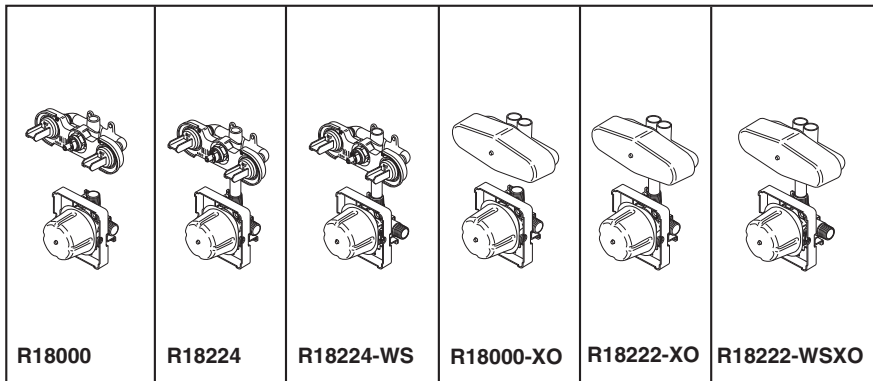




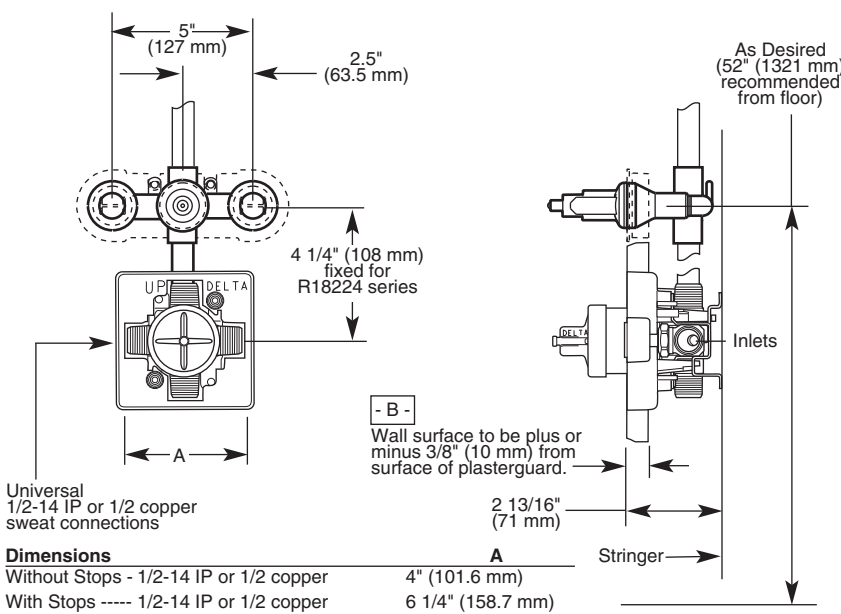
# JETTED SHOWER™ ROUGH VALVE BODY

- Shower Only (R18000 & R18224)
- Shower and Extra Outlet (R18000-XO & R18222-XO)

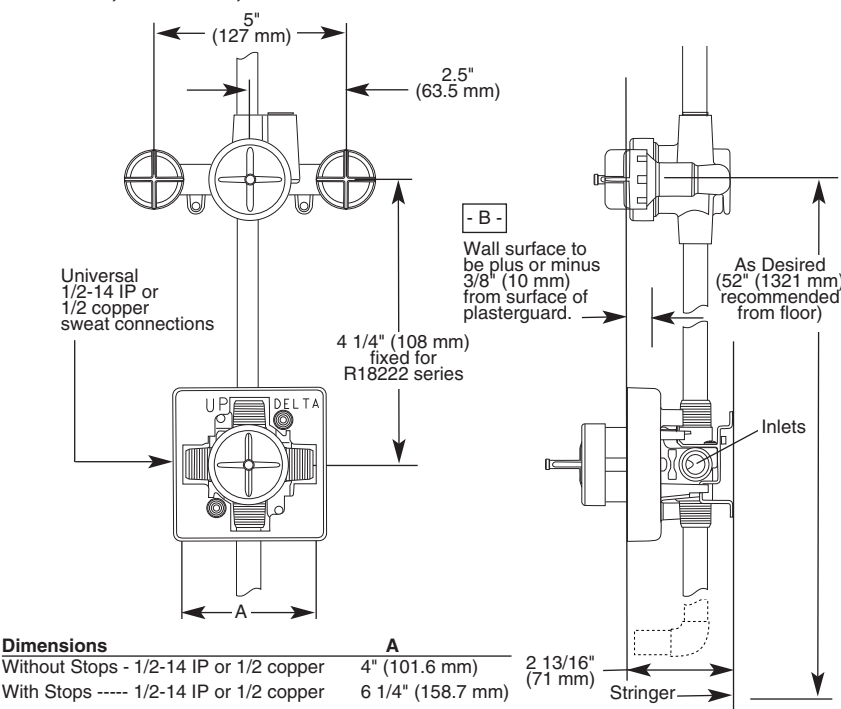


Submitted Model No.: \_\_\_\_\_  
 Specific Features: \_\_\_\_\_

### R18000, R18224, R18224-WS



### R18000-XO, R18222-XO, R18222-WSXO



### STANDARD SPECIFICATIONS:

- Brass body.
- Back-to-back installation capability.
- Can be tested with air (200 psi) or water (300 psi) without cartridge using supplied test cap.
- Adjusts for up to 3/4" wall thickness.
- Extra outlet models (XO) include 3 port, six position diverter.
- R18222 and R18224 include prefabricated valve and jet module.
- R18000 and R18000-XO include separately plumbed valve and jet module.
- For use with Multi Choice Universal 18 Series and 18T Series Jetted Shower™ trim. Monitor® 17 Series dual function pressure balanced cartridge ships with 18 Series trim. 17T Series dual function thermostatic cartridge ships with 18T Series trim.

### WARRANTY

- Lifetime Faucet and Finish Limited Warranty to the original consumer purchaser to be free from defects in material and workmanship.
- 5 Year Limited Warranty for usage in all industrial, commercial and business applications.



### COMPLETE VALVE COMPLIES WITH:

- ASME A112.18.1 / CSA B125.1



Indianapolis, Indiana 46280  
 A Division of Masco Corporation of Indiana  
 © 2009 Masco Corporation of Indiana

Delta reserves the right (1) to make changes in specifications and materials, and (2) to change or discontinue models, both without notice or obligation. Dimensions are for reference only. See current full-line price book or www.specselect.com for finish options and product availability.  
 DSP-B-R18000 Rev. A