

KITCHEN FAUCETS

- Two Handle Deck Mount
- 4 Hole Sink Applications

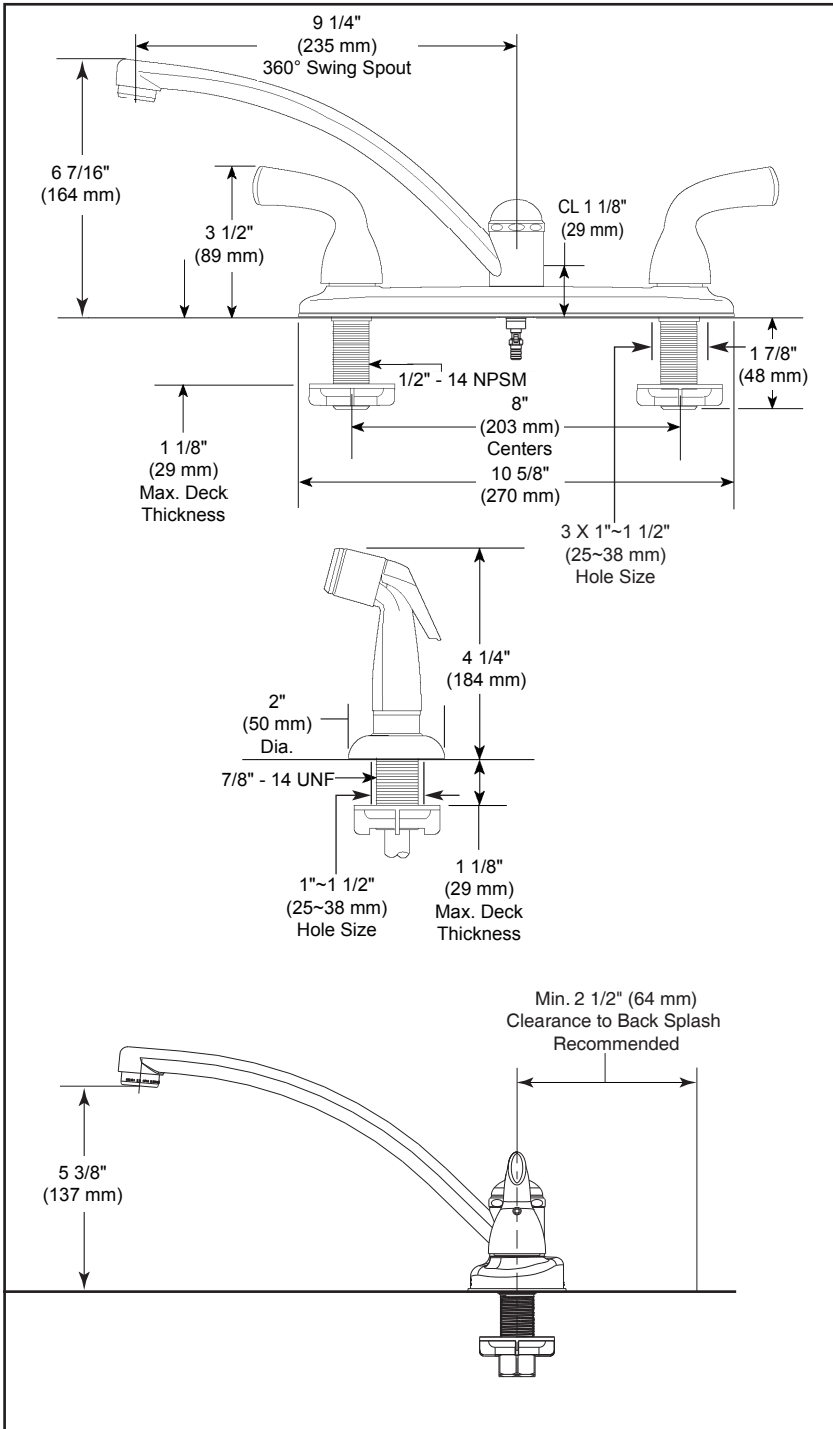
Submitted Model No.: _____
 Specific Features: _____

STANDARD SPECIFICATIONS

- 8" (203 mm) centers.
- 9 1/4" (235 mm) long, 6 7/16" (164 mm) high spout swings 360°.
- Lever handles with 1/4 turn stops.
- Hot and cold stems are interchangeable.
- Lever handle control mechanism is a rotating cylinder type with stainless steel plate and 90° rotating, with replaceable non-metallic seats.
- 1/2" -14 NPSM threaded male inlet shanks.
- Models with spray attachment have antisiphon device as integral part of valve body.

WARRANTY

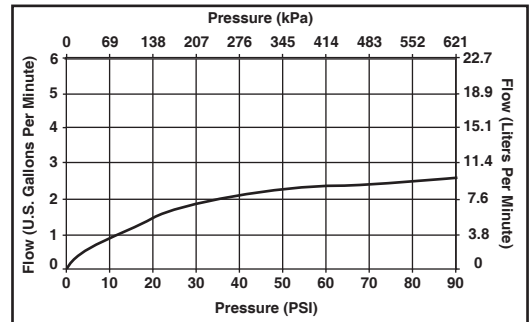
- Lifetime Faucet and Finish Limited Warranty to the Original consumer purchaser to be free from defects in material and workmanship.
- 5 Year Limited Warranty for usage in all Industrial, Commercial and business applications.



COMPLIES WITH

- ASME A112.18.1 / CSA B125.1
- Indicates compliance to ICC / ANSI A117.1
- CSA Certified

Verified compliant with 0.25% weighted average Pb content regulations.



55 E. 111th Street, Indianapolis, Indiana 46280
 395 Matheson Blvd. E., Mississauga, ON L4Z 2H2
 © 2010 Masco Corporation of Indiana

Delta reserves the right (1) to make changes in specifications and materials, and (2) to change or discontinue models, both without notice or obligation. Dimensions are for reference only. See full-line price book or www.specselect.com for finish options and product availability.