

# Shower Accessories

**TECK<sup>®</sup>**  
COMMERCIAL

**DELTA<sup>®</sup>**

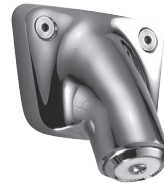
**Specification: (example)**

Brass body diverter valve,  
ADA compliant lever handle,  
polished chrome plated metal trim.

❑ **060852A** 



❑ **061058A**   
(See Product Variations  
No.'s 3 & 9)



❑ **060274A**

76 mm (3") Diameter wall thermometer,  
18 to 82 degrees C (0 to 180 degrees F),  
stainless steel construction with shatterproof  
Lexan lens, complete with cast brass tee,  
polished chrome plated brass nipple and  
set screw wall flange.



❑ **54T1200** 

With 70mm (2-3/4") ADA compliant  
lever blade handle and integral stop.  
In-wall, volume control stop, TUF-TECK<sup>®</sup>  
institutional structure, polished chrome  
plated finish exposed metal trim, color  
indexed metal handle with vandal  
resistant screw, 1/2" FIP inlet/outlet.



❑ **060732A**

Brass body volume control, polished  
chrome plated finish, flow adjustment  
lever handle, 1/2" NPS inlet/outlet.



❑ **060605A**

Forged brass Toe Tester Spout,  
polished chrome plated finish,  
1/2" FIP inlet.



❑ **060710A**

Brass bent showerarm,  
metal set screw wall flange,  
polished chrome plated finish.  
(Supplied with Shower  
No. 1, 2, 3 & 8)



**Specification: (example)**

Cast brass institutional wallmounted shower  
head, polished chrome plated finish, 30°  
spray angle from wall, concealed cast  
brass mounting plate, vandal resistant  
front mounting screws, universal 1/2" FIP/  
copper sweat inlet.

❑ **060793A** – 2.0 USGPM (7.6 L/min.)

❑ **060991A** – 1.75 USGPM (6.6 L/min.)

❑ **061011A** – 1.5 USGPM (5.7 L/min.)  
(See Shower No. 6 – T13H Series)

❑ **060890A**

Brass body showerhead fixed  
2.2 USGPM (8.4 L/min.) flow control  
spray, polished chrome plate finished.  
(See Shower No. 1 on  
T13H Series)

❑ **RP43381**

3-Function Touch-Clean<sup>®</sup>, chrome plated  
finish, brass ball showerhead,  
2.0 USGPM (7.6 L/min.).  
(See Shower No. 2)

❑ **RP38357**

Touch-Clean<sup>®</sup>, polished chrome  
plated finish, brass ball showerhead,  
2.0 USGPM (7.6 L/min.).  
(See Shower No. 3 on  
T17TH Series)

❑ **061048A**

Rubclean, chrome plated brass ball  
showerhead 1.5 USGPM (5.7 L/min.).  
(See Shower No. 3 on  
T13H Series)

❑ **RP46384**

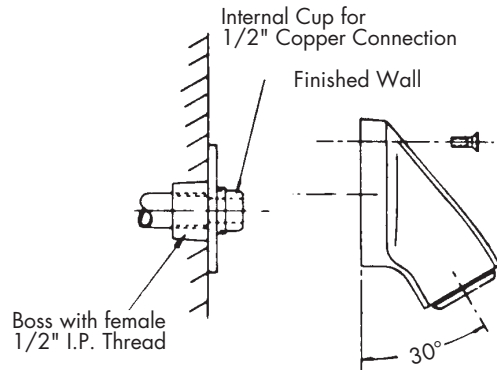
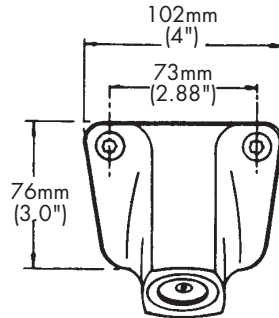
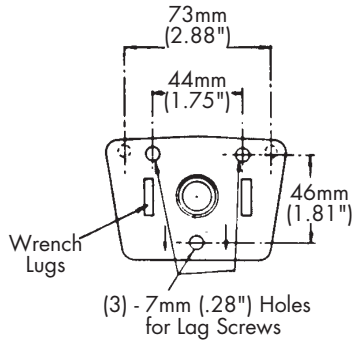
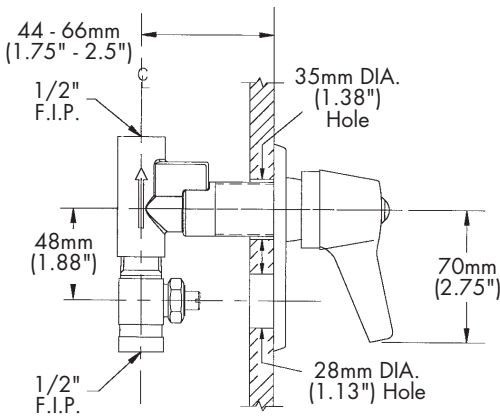
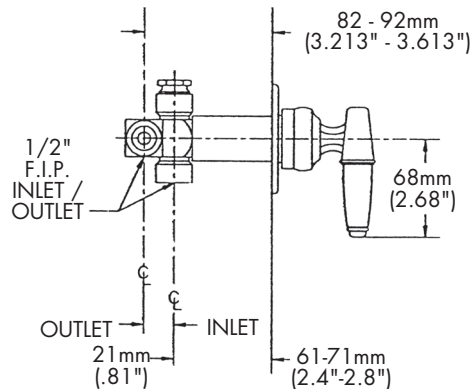
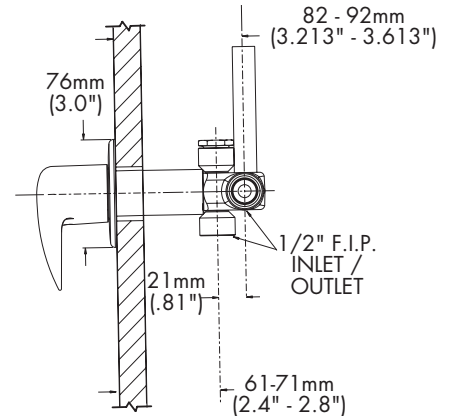
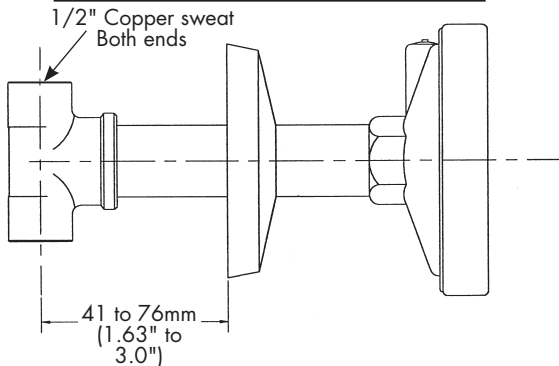
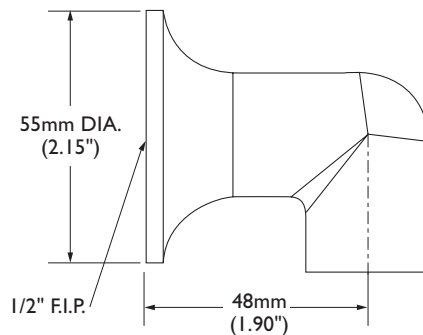
H<sub>2</sub>Okinetic Technology<sup>®</sup> Showerhead,  
1.5 USGPM (5.7 L/min.).  
(See Shower No. 8 on  
T13H Series)

Refer to [www.specselect.com](http://www.specselect.com) for individual models.

Flow Rates are at 80 PSI.  
Note: Use this page front and back as a product submittal sheet.

Delta reserves the right (1) to make changes in specifications and materials, and (2) to change or discontinue models, both without notice or obligation. Dimensions are for reference only. See current full-line price book or [www.specselect.com](http://www.specselect.com) for finish options and product availability.

DSP-SHWB Rev. D

**060793A, 060991A & 061011A SHOWERHEAD**
**ANCHOR PLATE**

**54T1200 CONTROL VALVE**

**060852A DIVERTER VALVE**

**061058A DIVERTER VALVE**

**060274A WALL THERMOMETER**

**060605A TOE TESTER SPOUT**

 Note: Measurements may vary  $\pm$  6mm (0.25")