

Single Water Faucets – Deckmount

TECK®
COMMERCIAL



Features:

- Fits a maximum 1-1/2" diameter hole (1" diameter hole recommended)
- Teck® rigid/swivel gooseneck
 - unique design permits field installation as a rigid or swivel gooseneck
 - heavy-duty gooseneck made from seamless brass pipe
- All brass body with deck flange – **No Vandal Resistant Locking Pin**
- Raised lockwasher to provide positive gripping during installation
- Teck® Lab structure
- C.P. renewable brass seat
- Two handle variations
 - 2 arm Teck® Lab handle
 - ADA compliant 2-3/4" lever handle
- Two vacuum breaker variations
 - Angled atmospheric vacuum breaker. Brass construction with durable silicone disk allowing high heat and water hammer shock resistance. Provides superior performance when used with aspirator assemblies
 - Dual check in-line vacuum breaker resulting in above average flow rate and consequently lower pressure loss
- Gooseneck can be oriented to suit left, center, or right handle operation

2 Arm Lab Handle Product

With Gooseneck Spout

- W6601**
Deckmount single faucet with rigid/swivel gooseneck complete with deck flange, 1/4" I.D. 10 serration nozzle, shank, locknut, lockwasher, 2 arm lab handle, Teck® Lab structure, C.P. renewable brass seat, 1/4" NPT tailpiece and coupling nut
- W6601-8**
As W6601, but with 2.2 USGPM (8.3 L/min.) flow control aerator
- W6601-9**
As W6601, but with in-line dual check vacuum breaker and nozzle

With Angle Vacuum Breaker Spout

- W6601-10**
Deckmount single faucet with rigid/swivel angle vacuum breaker spout, complete with deck flange, 1/4" I.D. 10 serration nozzle, shank, locknut, lockwasher, 2 arm lab handle, Teck® Lab structure, C.P. renewable brass seat, 1/4" NPT tailpiece and coupling nut
- W6601-12**
As W6601-10, but with C.P. Aspirator (filter pump) having serrated hose-end connection at both suction and discharge ends



ADA Compliant 2-3/4" Lever Blade Handle Product



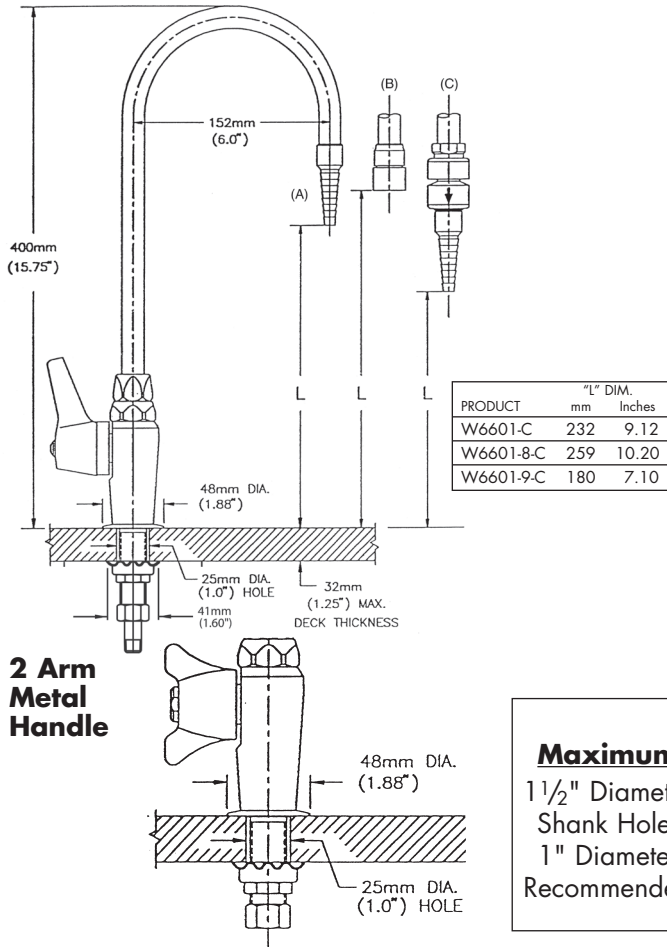
With Gooseneck Spout

- W6601-C**
Deckmount single faucet with rigid/swivel gooseneck complete with deck flange, 1/4" I.D. 10 serration nozzle, shank, locknut, lockwasher, ADA compliant 2-3/4" lever blade handle, Teck® Lab structure, C.P. renewable brass seat, 1/4" NPT tailpiece and coupling nut
- W6601-8-C**
As W6601-C, but with 2.2 USGPM (8.3 L/min.) flow control aerator
- W6601-9-C**
As W6601-C, but with in-line dual check vacuum breaker and nozzle

With Angle Vacuum Breaker Spout

- W6601-10-C**
Deckmount single faucet with rigid/swivel angle vacuum breaker spout, complete with deck flange, 1/4" I.D. 10 serration nozzle, shank, locknut, lockwasher, ADA compliant 2-3/4" lever blade handle, Teck® Lab structure, C.P. renewable brass seat, 1/4" NPT tailpiece and coupling nut
- W6601-12-C**
As W6601-10-C, but with C.P. Aspirator (filter pump) having serrated hose-end connection at both suction and discharge ends

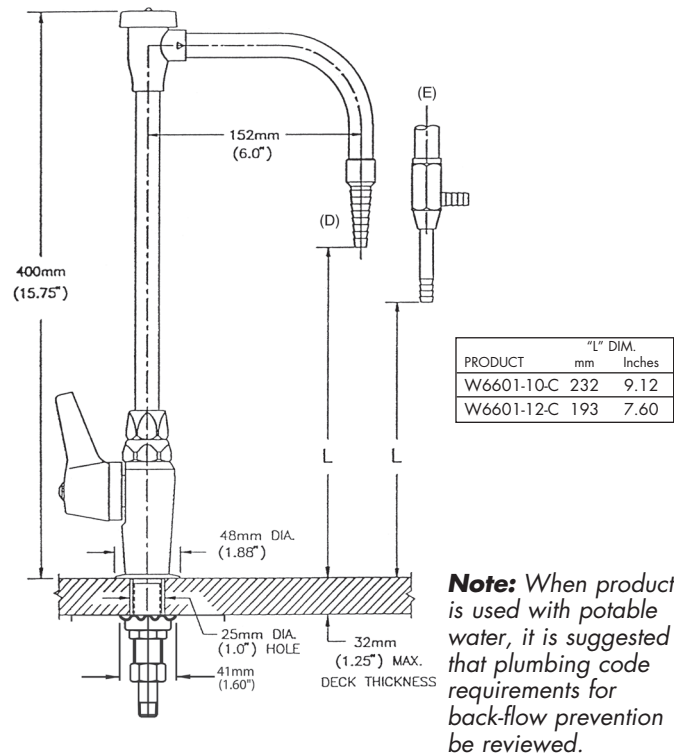
With Gooseneck Spout (R5) Standard Spout



2 Arm Metal Handle

Maximum
1 1/2" Diameter Shank Hole,
1" Diameter Recommended

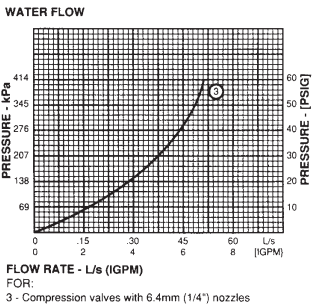
With Angle Vacuum Breaker Spout (R23) Standard Spout



Note: When product is used with potable water, it is suggested that plumbing code requirements for back-flow prevention be reviewed.

- (A) Gooseneck Spout with serrated nozzle
 - W6601** 2 arm lab handle
 - W6601-C** 2-3/4" lever blade handle (ADA) – shown
- (B) Gooseneck Spout with aerator
 - W6601-8** 2 arm lab handle
 - W6601-8-C** 2-3/4" lever blade handle (ADA) – shown
- (C) Gooseneck Spout with In-line vacuum breaker and serrated nozzle
 - W6601-9** 2 arm lab handle
 - W6601-9-C** 2-3/4" lever blade handle (ADA) – shown

- (D) Angle Vacuum Breaker Spout with serrated nozzle
 - W6601-10** 2 arm lab handle
 - W6601-10-C** 2-3/4" lever blade handle (ADA) – shown
- (E) Angle Vacuum Breaker Spout with serrated end aspirator
 - W6601-12** 2 arm lab handle
 - W6601-12-C** 2-3/4" lever blade handle (ADA) – shown



FOR OPTIONAL RIGID/SWIVEL SPOUTS
See DSP-LABSPopt for detailed specification
(Found in the "Add-On Option" section when using the printed spec binder)

Approvals and Standards Met:

- CSA certified to B125 with compliance to ASME A112.18.1
- ADA compliant and meets Handicapped Accessibility Standard ASME A117.1 of less than 5 lbs. operating force when 2-3/4" lever blade handle is used
- In-line VB tested and approved in conformance with ASSE 1035 "Laboratory Faucet Vacuum Breakers".
CSA certified to B64.7
- Angle VB tested and approved in conformance with ASSE 1001 and CSA B64.1.1

Note: Measurements may vary ± 6mm (0.25")