



SHOWERHEAD

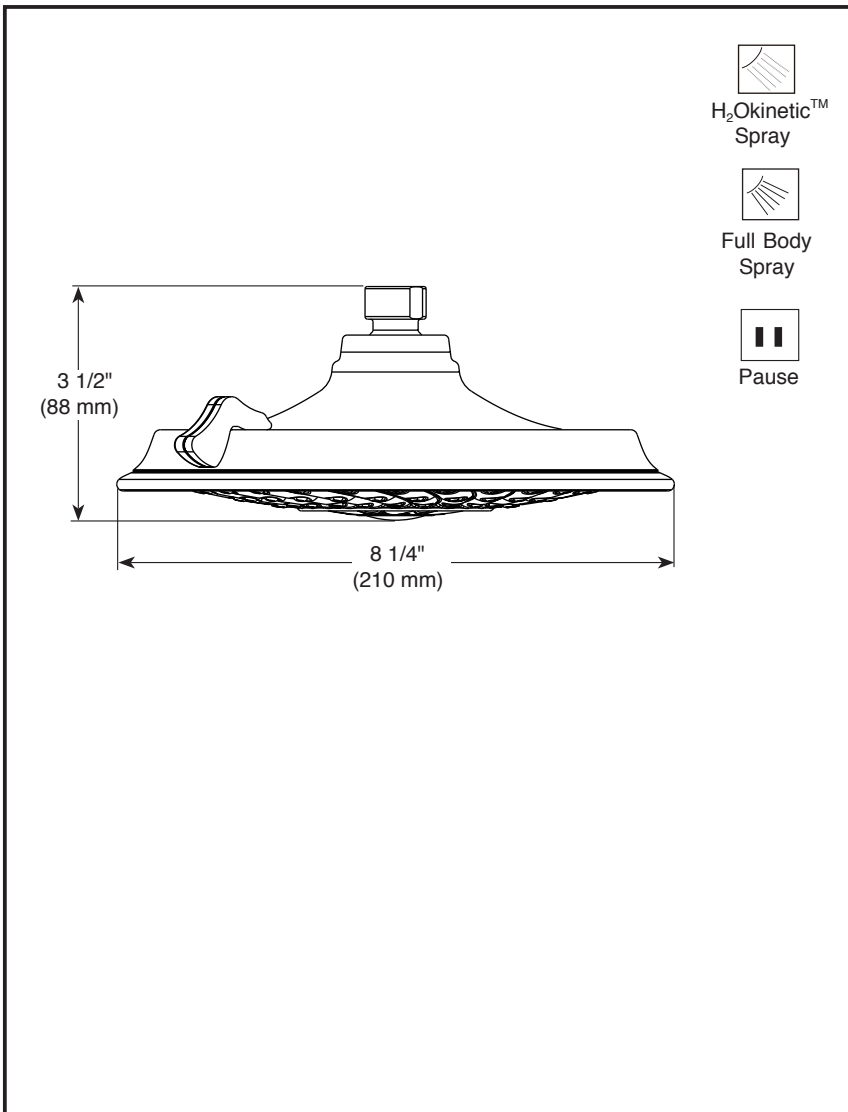
- H₂Okinetic[™] Showerhead
- 3-Spray Setting Showerhead
- Touch-Clean[®] Nozzles



52687 ▲

Submitted Model No.: _____

Specific Features: _____



STANDARD SPECIFICATIONS:

- ABS showerhead with three settings – not a positive shut-off.
- Standard 1/2" pipe fitting.
- Easy-turn spray dial.
- Metal ball connector for durability. Easy installation.
- Maximum flow rate 2.0 gpm (7.6L/min) @ 80 PSI.

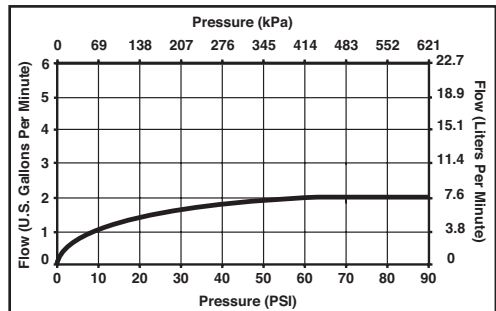
WARRANTY

- Lifetime limited warranty on parts (other than electronic parts and batteries) and finishes; or, for commercial users, for 5 years from the date of purchase.
- 5 year limited warranty on electronic parts (other than batteries); or for commercial users, for 1 year from the date of purchase. No warranty is provided on batteries.



COMPLIES WITH

- ASME A112.18.1 / CSA B125.1



▲ Designate proper finish suffix

Delta reserves the right (1) to make changes in specifications and materials, and (2) to change or discontinue models, both without notice or obligation. Dimensions are for reference only. See current full-line price book or www.deltafaucet.com for finish options and product availability.

