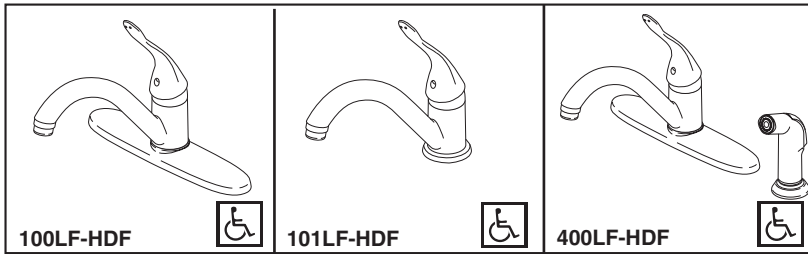
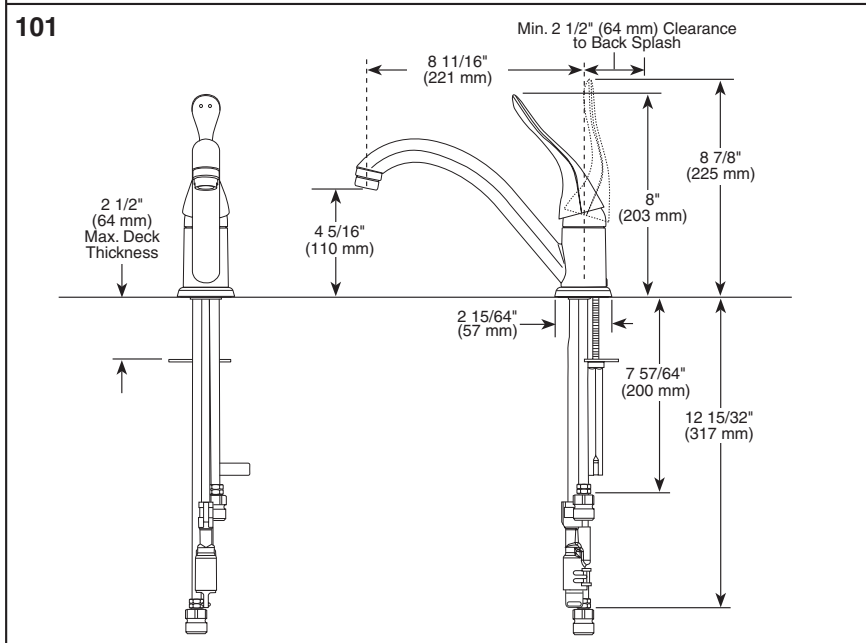
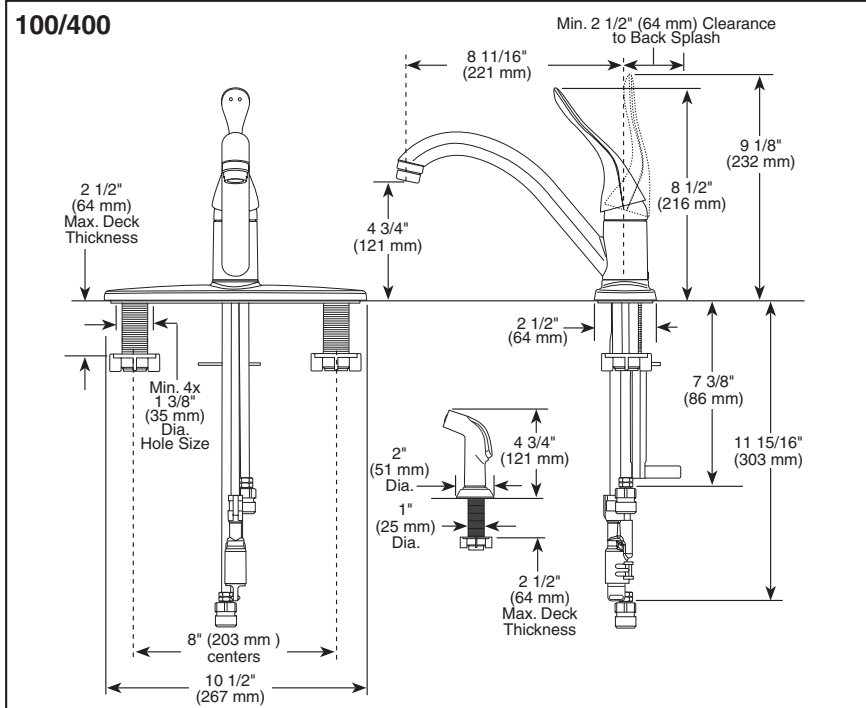


# Kitchen Faucets

**HDF<sup>®</sup>**  
COMMERCIAL



Submitted Model No.: \_\_\_\_\_  
Specific Features: \_\_\_\_\_



- Single Handle
- Single, 3 and 4 Hole Sink Applications

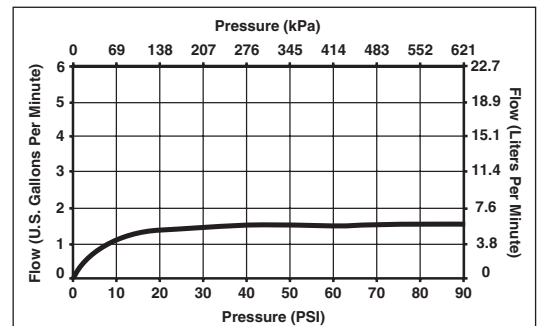
**STANDARD SPECIFICATIONS:**

- Single handle kitchen deck faucets for exposed mounting on single, three or four hole sinks.
- All metal fabricated body.
- 8 11/16" (221 mm) long spout swings 180°.
- 1.5 gpm (5.7 L/min.) vandal resistant aerator.
- Lever handle shall return to neutral position when faucet is turned off.
- Red and blue on handle to indicate hot/cold temperature.
- Control mechanism shall be the diamond coated ceramic cartridge.
- Adjustable handle limit stop.
- 3/8" O.D. straight, staggered copper supply tubes with 3/8" fittings.
- Model 400 series with 45" (1143 mm) hose and spray attachment has anti-siphon device as integral part of faucet.
- Mounts on standard 1 3/8 (35 mm) diameter holes on 8" (203 mm) centers.



**COMPLIES WITH:**

- ASME A112.18.1 / CSA B125.1
- NSF 61
- Indicates compliance to ICC/ANSI A17.1
- Verified compliant with .25% weighted average Pb content regulations



Delta reserves the right (1) to make changes in specifications and materials, and (2) to change or discontinue models, both without notice or obligation. Dimensions are for reference only. See current full-line price book or www.specselect.com for finish options and product availability.