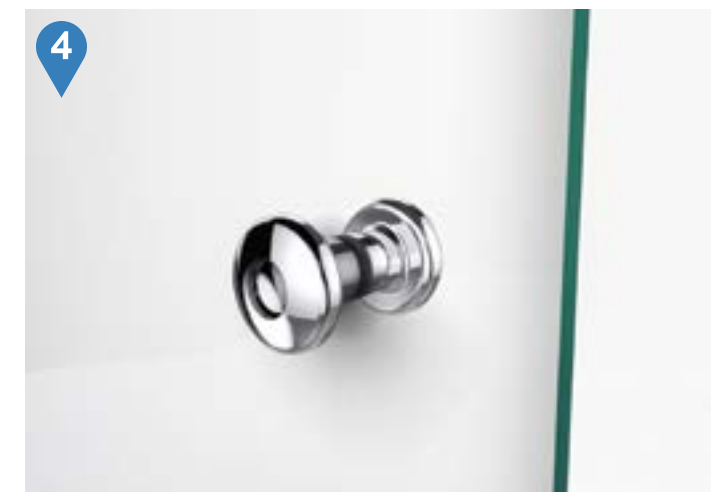
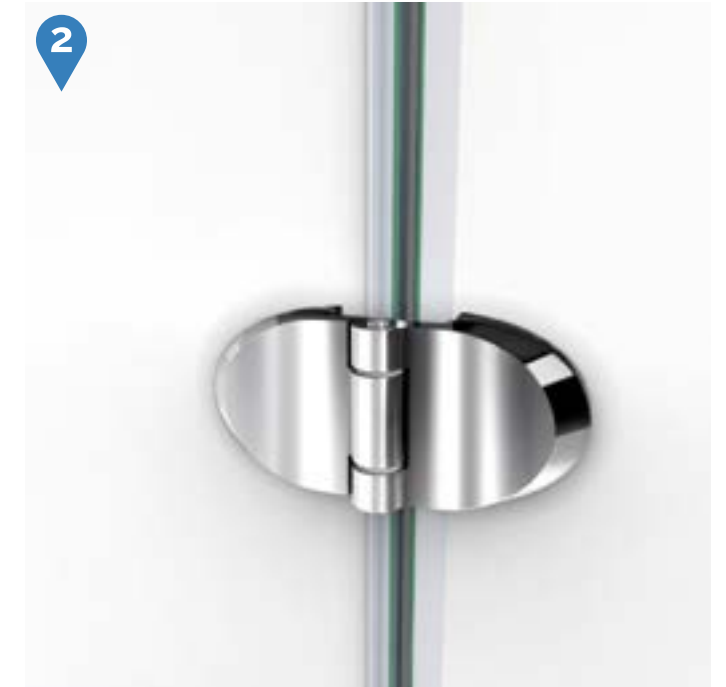
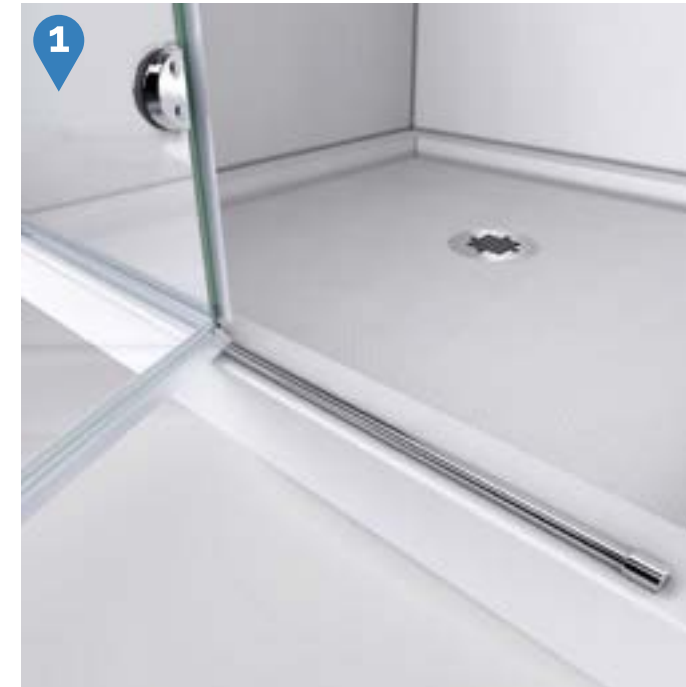


Aqua Fold™

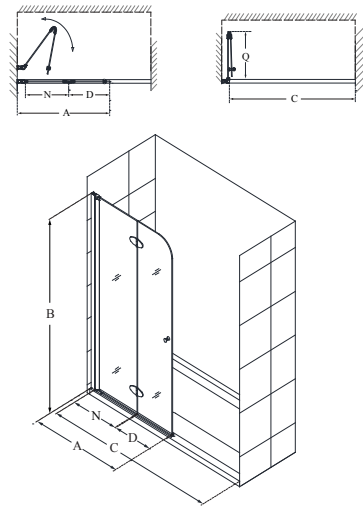
Bi-Fold Door



Chrome

- Quality ¼" (6mm) thick ANSI certified clear tempered glass
- Anodized aluminum wall profile allows up to 3/8" adjustment for out-of-plumb (uneven walls)
- Continuous self-centering pivot allows rotation into and out of the shower or tub
- Bi-Fold design allows for a wide entry, while using minimal space
- Tub Screen can be combined with an optional Extender or Return Panel
- Extender/Return Panels feature 5/16" glass attached to the wall and bottom by U-channels
- U-channel allows up to ½" adjustment for width or out-of-plumb (uneven walls)
- Suitable for installation on any straight (not curved) bathtub

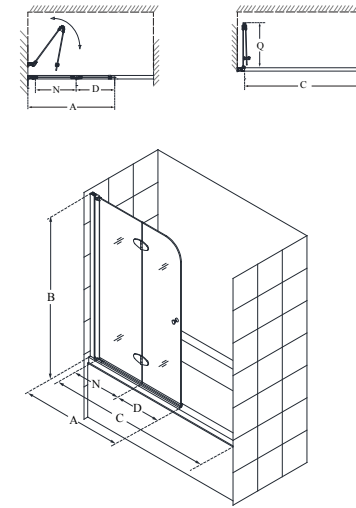
Aqua Fold™



Configuration 1

SKU	A MODEL WIDTH	B MODEL HEIGHT	C ACCESS WIDTH	D DOOR WIDTH	N HINGE PANEL WIDTH	-01 CHROME
SHDR-3630720	29 1/2"	72"	45" (in a 48" opening) 57" (in a 60" opening)	12 11/16"	13 11/16"	-
SHDR-3634720	33 1/2"	72"	45" (in a 48" opening) 57" (in a 60" opening)	14 11/16"	15 11/16"	-

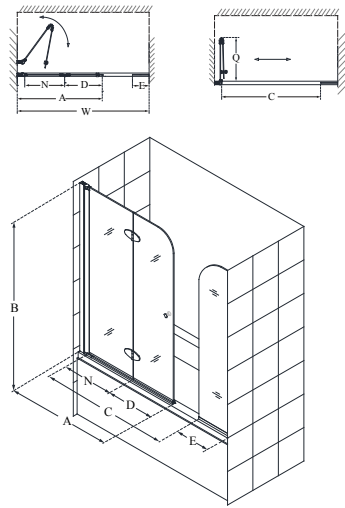
Aqua Fold™



Configuration 2

SKU	A MODEL WIDTH	B MODEL HEIGHT	C ACCESS WIDTH	D DOOR WIDTH	N HINGE PANEL WIDTH	-01 CHROME
SHDR-3636580	36"	58"	57" (in a 60" opening)	15 7/8"	16 15/16"	-

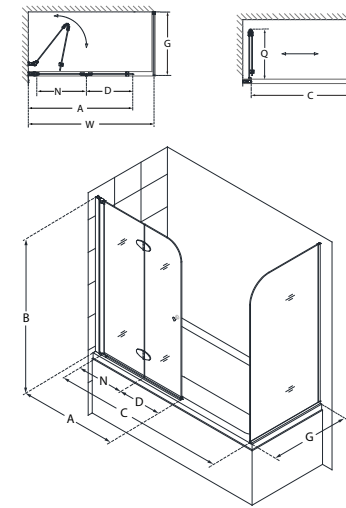
Aqua Fold™



Configuration 3

SKU	A MODEL WIDTH	B MODEL HEIGHT	C ACCESS WIDTH	D DOOR WIDTH	E EXTENDER PANEL WIDTH	N HINGE PANEL WIDTH	-01 CHROME
SHDR-3636580-EX	36"	58"	48" (in a 60" opening)	15 7/8"	9"	16 15/16"	-

Aqua Fold™



Configuration 4

SKU	A MODEL WIDTH	B MODEL HEIGHT	C ACCESS WIDTH	D DOOR WIDTH	G RETURN PANEL WIDTH	N HINGE PANEL WIDTH	-01 CHROME
SHDR-3636580-RT	36"	58"	57" (in a 60" opening)	15 7/8"	30"	16 15/16"	-