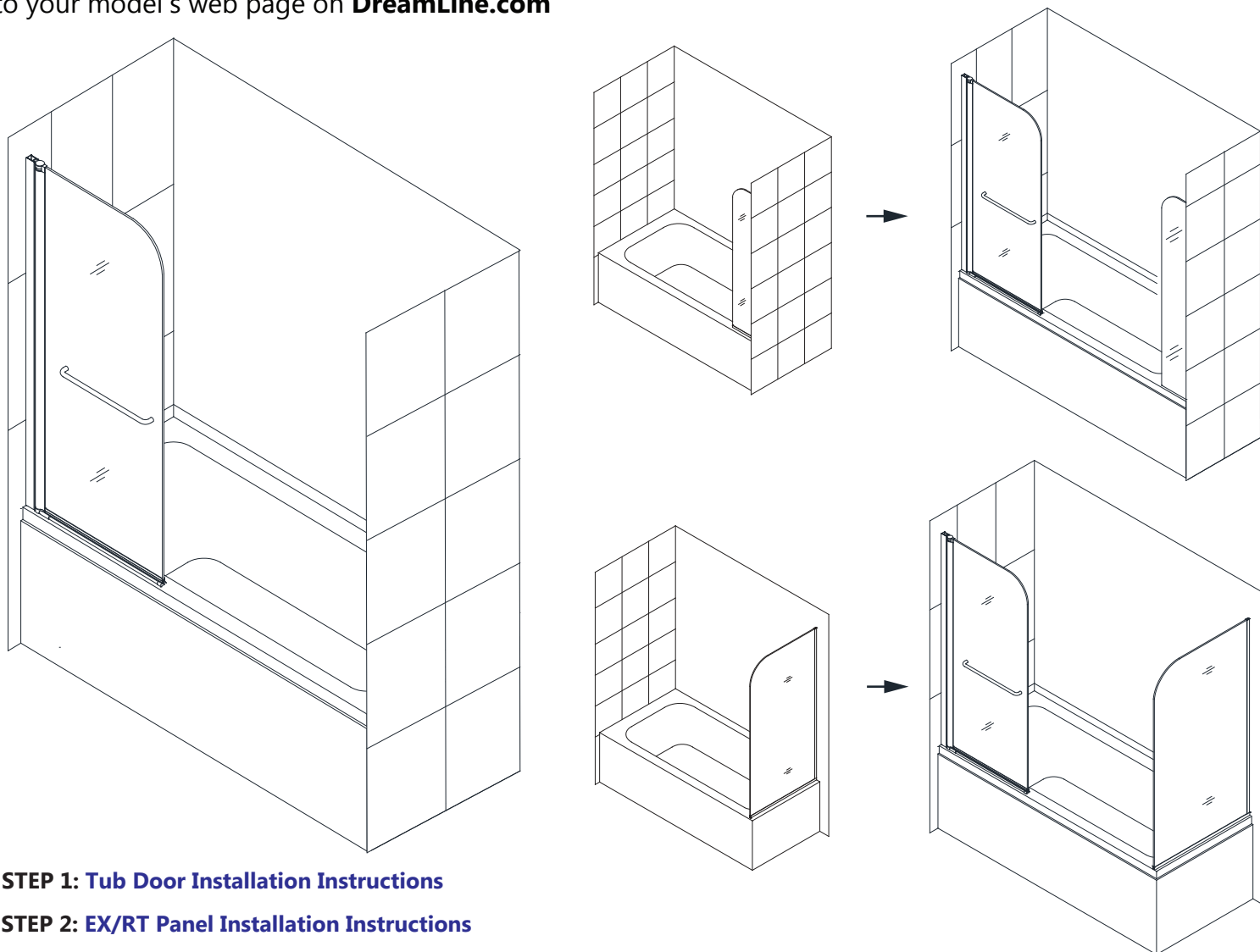


Aqua Swing Tub Door & EX/RT Panel

TUB DOOR AND PANEL INSTALLATION INSTRUCTIONS

IMPORTANT

DreamLine[®] reserves the right to alter, modify or redesign products at any time without prior notice. For the latest up-to-date technical drawings, manuals, warranty information or additional details please refer to your model's web page on **DreamLine.com**



STEP 1: Tub Door Installation Instructions

STEP 2: EX/RT Panel Installation Instructions



Questions?

Please Call **DreamLine** Customer Support: **1-855-831-2126**
Hours of Operation M-F 8AM - 7PM EST and Saturday 9AM - 5PM EST

Support@DreamLine.com



For more information about DreamLine[®] Shower Doors, Tub Doors & Enclosures, please visit **DreamLine.com**

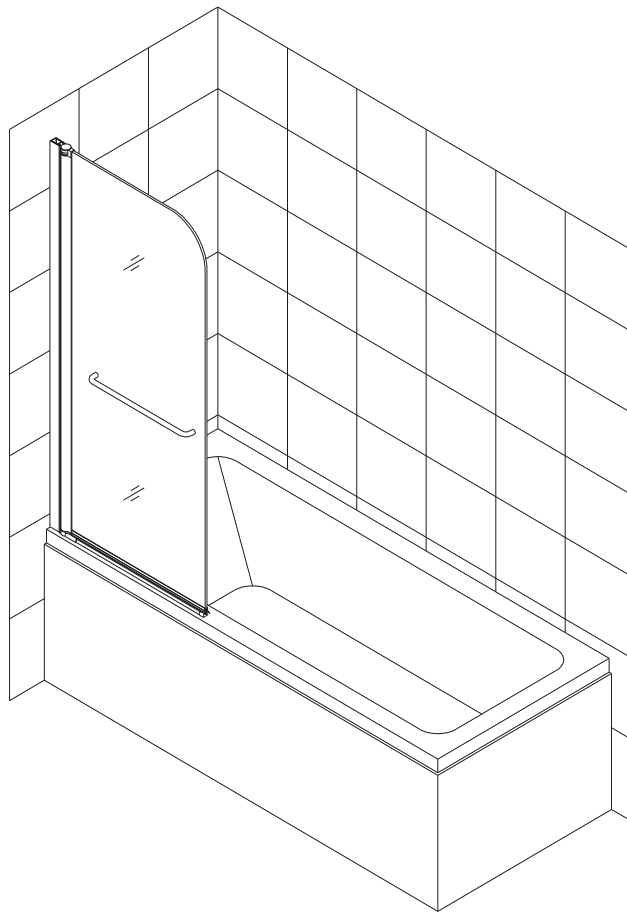


AQUA SWING

SHOWER DOOR INSTALLATION INSTRUCTIONS

IMPORTANT

DreamLine® reserves the right to alter, modify or redesign products at any time without prior notice. For the latest up-to-date technical drawings, manuals or additional details please refer to your model's web page on DreamLine.com.



Left hand installation shown

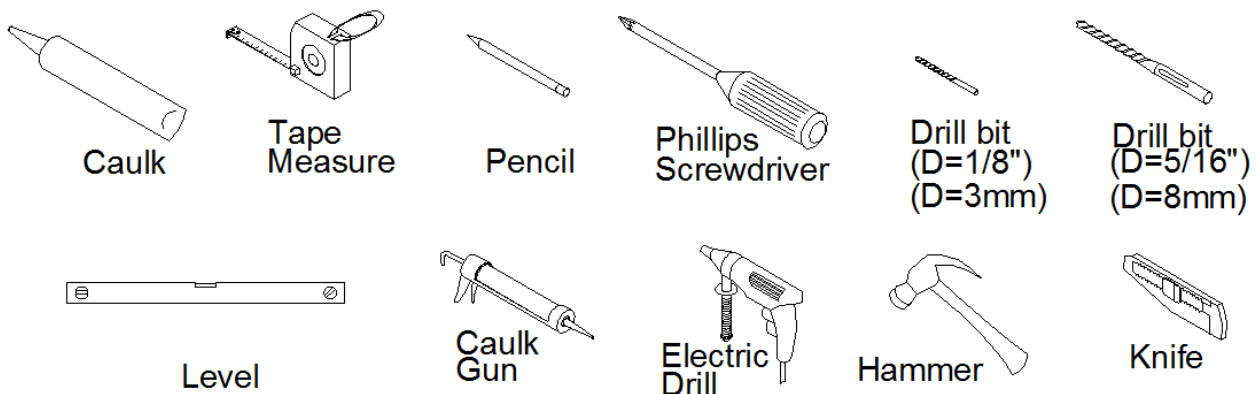
Please read these instructions carefully before installing. If you have any questions regarding installation, please contact our technical support specialists Monday through Friday 8:00 AM – 7:00 PM EST at Phone: [1-866-731-2244](tel:1-866-731-2244), Fax: [1-866-857-3638](tel:1-866-857-3638) or e-mail our technical support group at Support@DreamLine.com

For more information about DreamLine® products please visit DreamLine.com

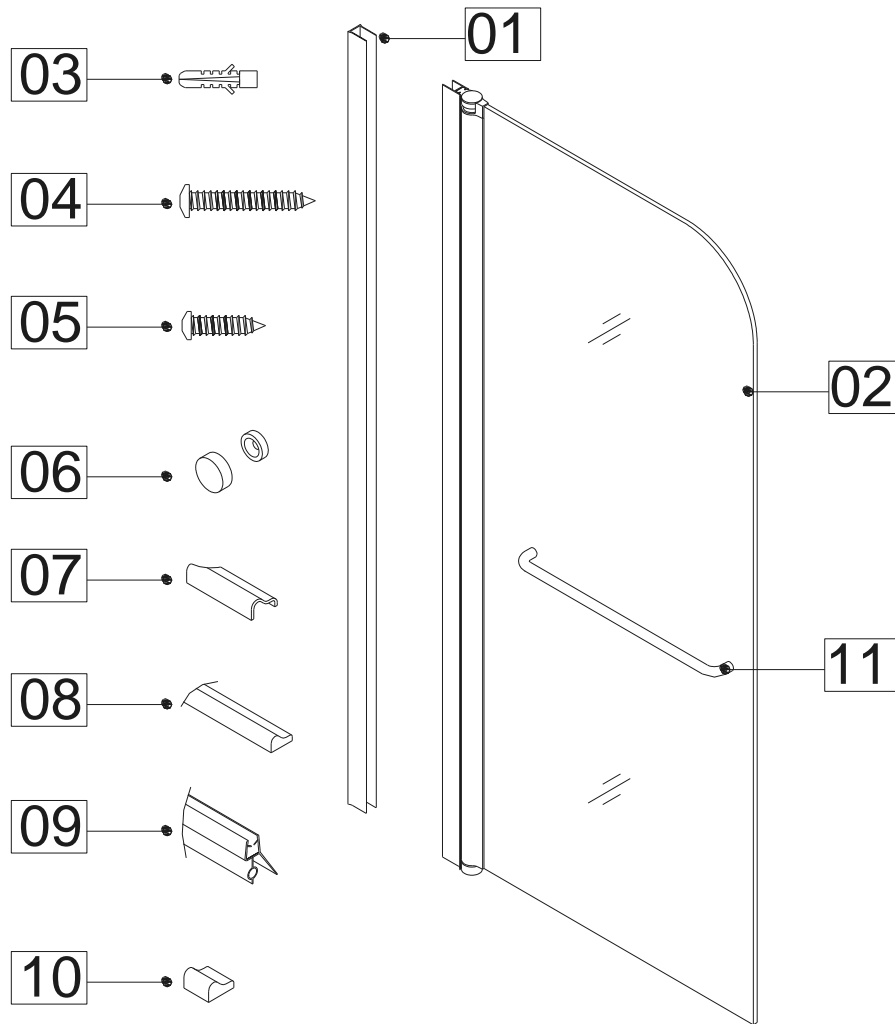
Preparation

1. Prior to installation, examine all boxes and packages for shipping damage and compare the piece count with your packing slip. After opening all boxes and packages read this introduction carefully. Check that all of the needed parts are included in the package by checking off the components on the "Detailed Diagram of Shower Door Components". If the unit has been damaged, has a finishing defect, or has missing parts, please contact our customer support department within **3 business days** of the delivery date. Please note that **DreamLine® will not replace any damaged products or missing parts free of charge after 3 business days or if the product has been installed.** Feel free to contact DreamLine® if you have any questions, and please provide an order number, job name or other proof of purchase to help us identify your original order.
2. **Please note that you should consult your local building codes with questions on installation compliance standards. Building and plumbing codes may vary by location, and DreamLine® is not responsible for code compliance standards for your project and will not accept any returns.**
3. Please make sure that prior to beginning the installation, the surfaces are leveled and solid and will be able to support the total weight of the unit. Also make sure the walls are at right angles. Irregular installation surface level or improper angle of side walls will result in serious problems for your installation. Please, note that some adjustments and drilling might be necessary during the installation process.
4. **This model has 3/8" of adjustment for out-of-plumb wall conditions within the wall profiles.**

Tools Required



Detailed Diagram of Shower door Components



Packing list

01	Wall profile	1pc	07	Threshold connector (left/right)	1set
02	Glass door with Hinged glass profile	1set	08	Aluminum threshold	1pc
03	Wall anchor	4pcs	09	Bottom anti-water strip	1pc
04	Big head screw ST4.2x55	4pcs	10	Threshold end cover (left/right)	1set
05	Round head screw ST4.2x16	3pcs	11	Handle	1pc
06	Decorative plug and washer	3sets			

NOTE: Unpack your unit carefully and inspect it. Identify all parts using the detailed diagram and packing list in this manual as a reference. Before discarding the carton, check for small hardware bags that tend to fall to the bottom of the box. If any parts are damaged or missing, please contact DreamLine® for replacement. The shipping boxes may contain extra parts not used in your model configuration.

NOTE: Retain these installation instructions for future reference.

Shower door installation

1. Prepare your finished opening for installation. Clean all surfaces and remove any debris or construction materials. See Fig 1.

NOTE: This model is reversible for left or right hand installation. This manual will show the left hand installation. For a right hand installation, simply begin on the opposite wall and reverse the orientation of the parts as necessary.

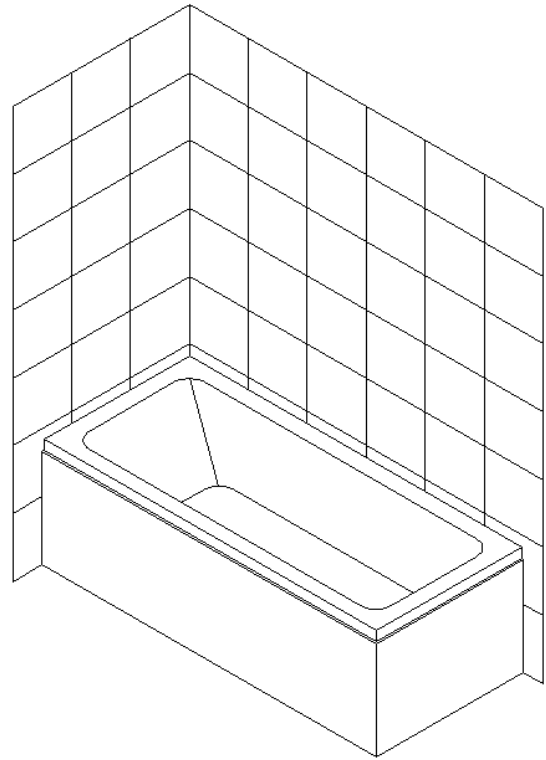


Fig 1

2. Using a level, position the **Wall profile (01)** on the tub deck and against the wall, in line with your threshold/tub deck. This unit requires 1" of flat threshold space for installation. See Fig 2.

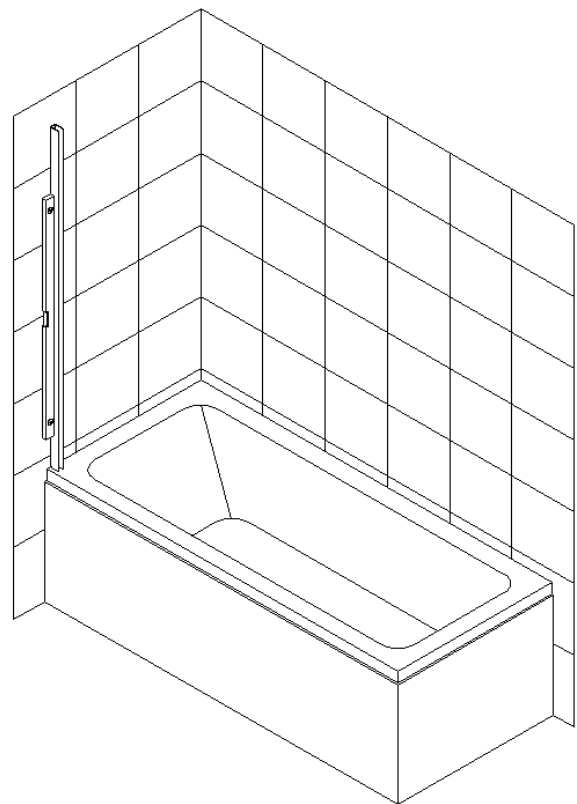


Fig 2

3. Mark the drill holes on the wall through the predrilled holes in the **Wall profile (01)**. Now drill holes in the wall using a **Φ5/16 drill bit** and insert the **Wall anchors (03)**. Apply silicone along the back of the **Wall profile** and into the drill holes. Fasten the **Wall profile** to the wall with the **Big head Screw ST4.2x40 (04)**. See Fig 3.

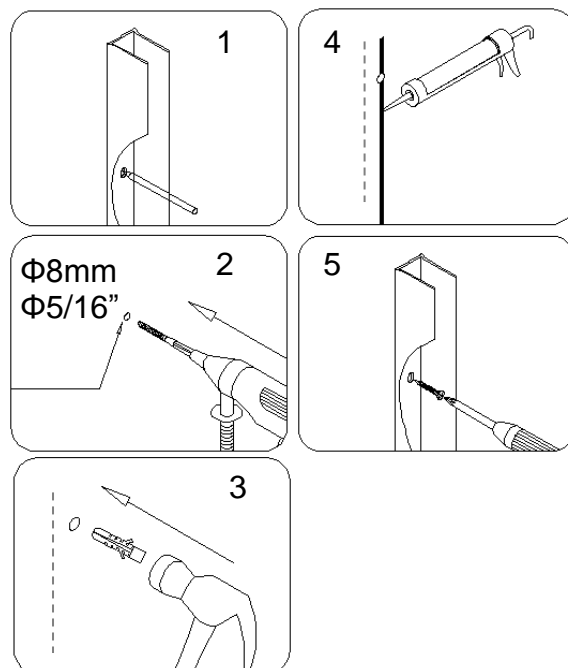


Fig 3

4. Slide the assembled **Glass door with Hinged glass profile (02)** into the groove of the **Wall profile (01)** and level it vertically (Fig 4.3). Make final adjustment (up to 1/2") if required keeping the door glass level. Drill the holes through the first layer of the **Wall profile (01)** and into the **Hinged glass profile** using an **Φ1/8 drill bit**. Secure the **Wall profile** and the **Hinged Glass profile** with the **Round head screws ST4.2x16 (05)** and washers. Cover the screw heads with the **Decorative Covers (06)**. See Fig 4.

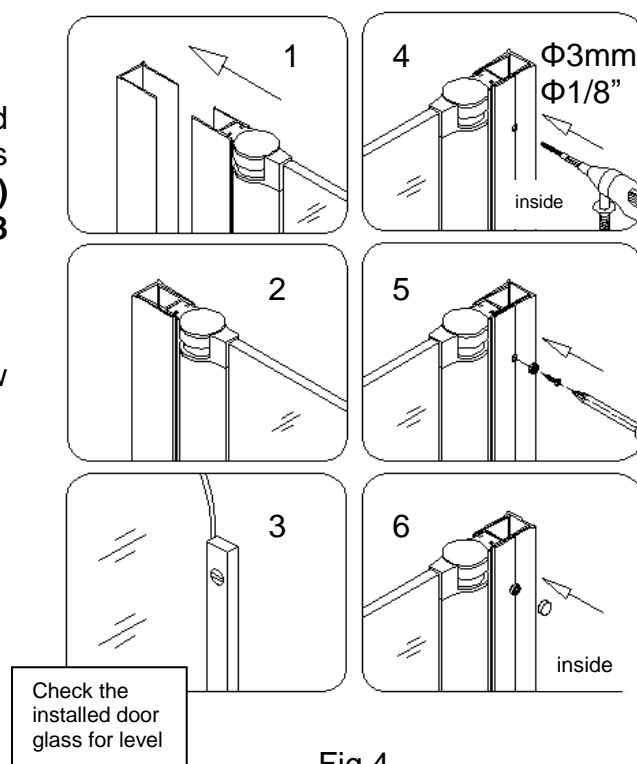


Fig 4

5. Snap the **Aluminum threshold (08)** into the **Threshold connector (07)** and **Threshold end cover (10)**.

Left hand installation shown

Run a bead of Waterproof silicone along the bottom of the **Aluminum threshold**. Attach the **Aluminum threshold** onto the tub, parallel to the tub edge with the **Threshold connector** tight to the bottom and even with the outside of the **Hinged glass profile** (Fig. 5.4). Run a bead of Waterproof silicone along the connection of the **Threshold connector** and Hinged glass profile. See Fig 5.

Note: Allow the silicone to fully cure before operating the door to prevent dislodging the threshold from the tub deck. You may even consider using painter's tape or similar to hold the threshold tightly in place while it sets.

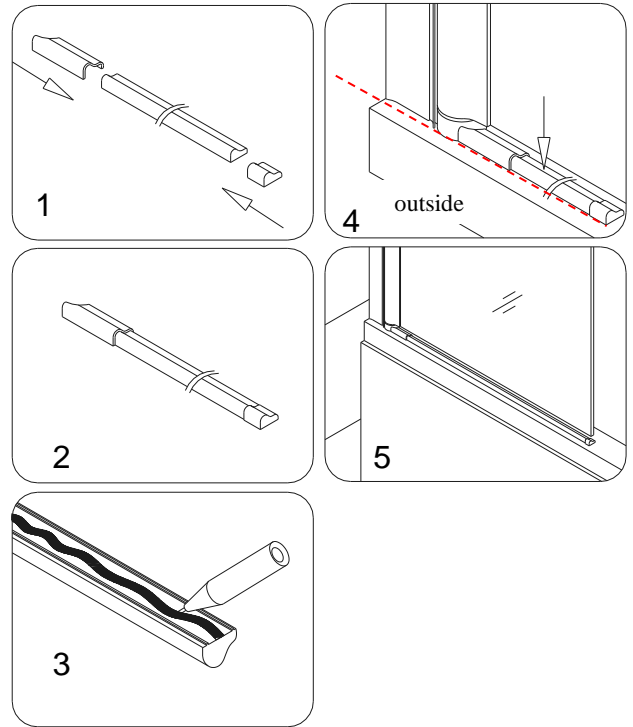


Fig 5

6. After the silicone fully sets, attach the **Bottom anti-water strip (09)** to the bottom edge of the **Glass door**.

See Fig 6.

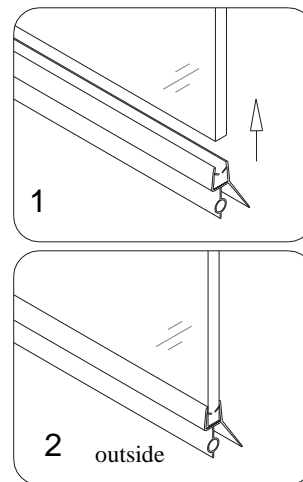


Fig 6

7. Mount the **Handle (11)** onto the outside of the **Glass door (02)**. See Fig 7 and Fig 8.

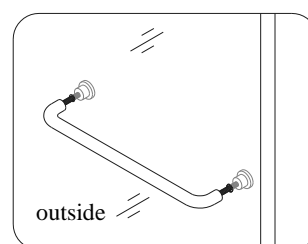


Fig 7

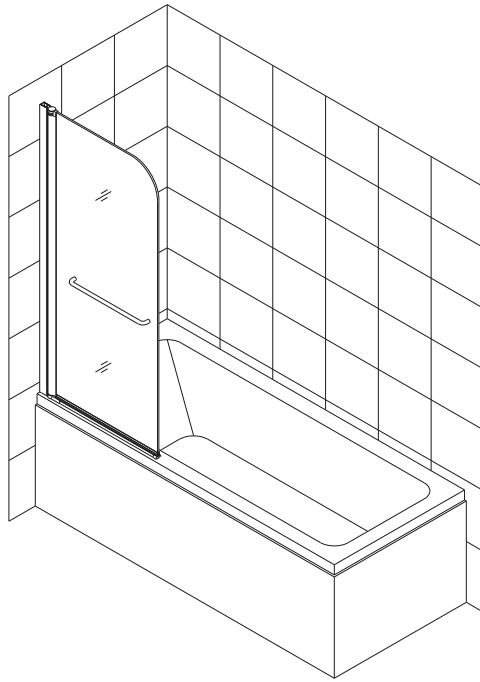


Fig 8

8. Allow 24 hours for the silicone to fully cure before using your new shower.

See Fig 9 and See Fig 10.

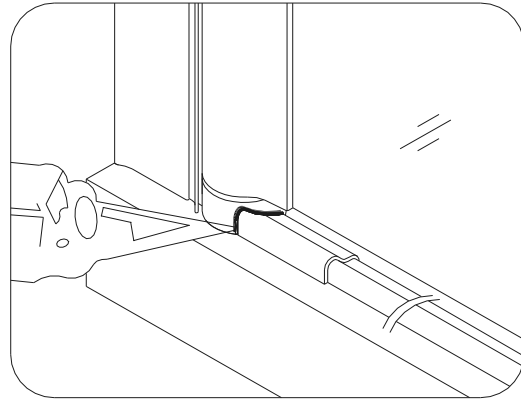


Fig 9

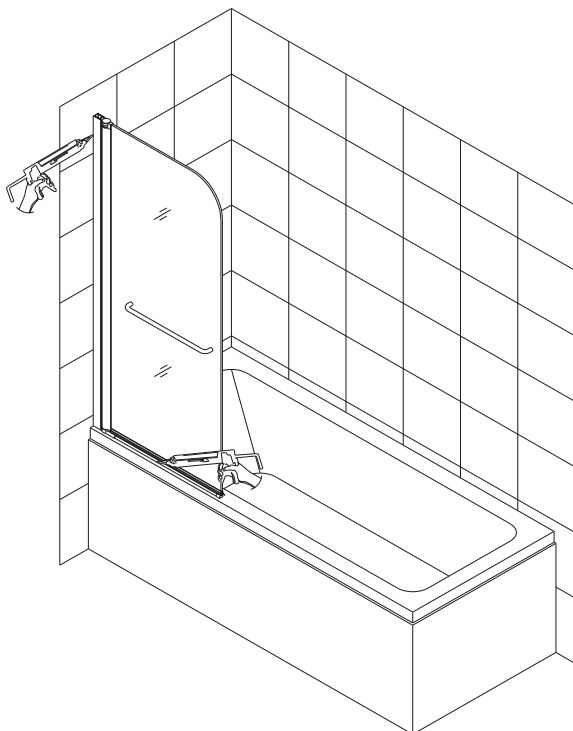
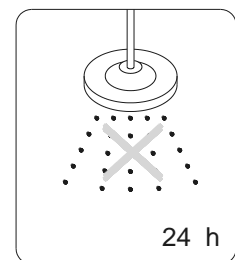
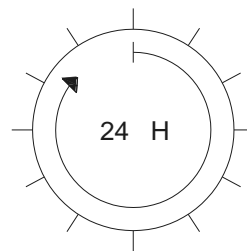


Fig 10



Product Maintenance

BASES and BACKWALLS: To ensure a long life for your acrylic back walls: wipe them off after each use with a soft cloth. To clean the acrylic back walls use non-abrasive sprays or cream based cleaners. Never use abrasive cleansers, metal brushes or scrapers that could scratch or dull the surface.

GLASS: To ensure long lasting life for your glass shower products: wipe them off after each use with a soft cloth. Rinse and wipe off the glass using either a soft cloth or a squeegee to prevent soap buildup and water spots. To prevent scratching the surface: never use abrasive cleaners and cleaning products that contain scouring agents. Never use bristle brushes or abrasive sponges.

HARDWARE: To ensure a long lasting finish: wipe off the metal parts after each use with a soft cloth. Do not use abrasive cleaners or cleaning products containing ammonia, bleach or acid. If accidentally used, rinse the surface as soon as possible to prevent finish peeling or corrosion. After cleaning the polished finishes, rinse thoroughly and wipe dry with soft cloth. Never use an abrasive sponges or cloth, steel wool or wired brushes as these may permanently scratch the surface.



TEL: [866-731-2244](tel:866-731-2244)

FAX: [866-857-3638](tel:866-857-3638)

DREAMLINE.COM

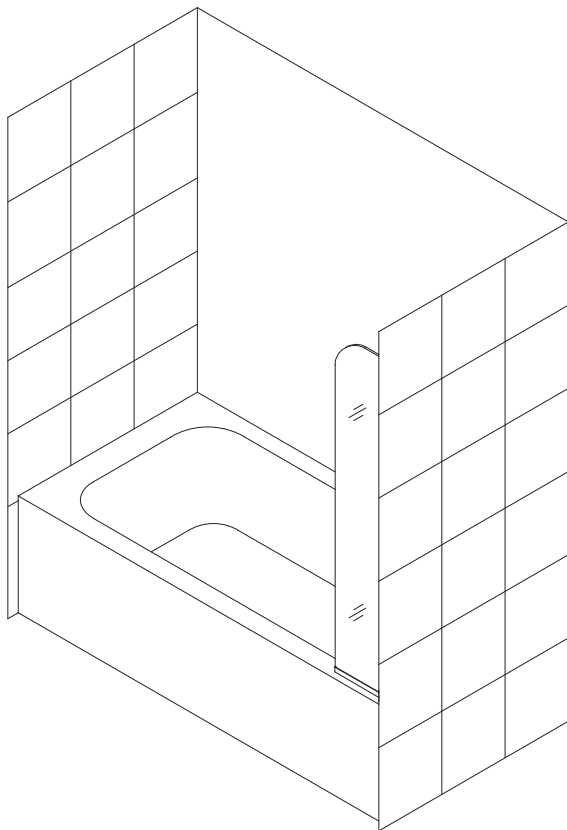
For more information on [DreamLine® Shower Doors](#) and [Enclosures](#) please visit DreamLine.com

EXTENDER Panel (EX) / RETURN Panel (RT)

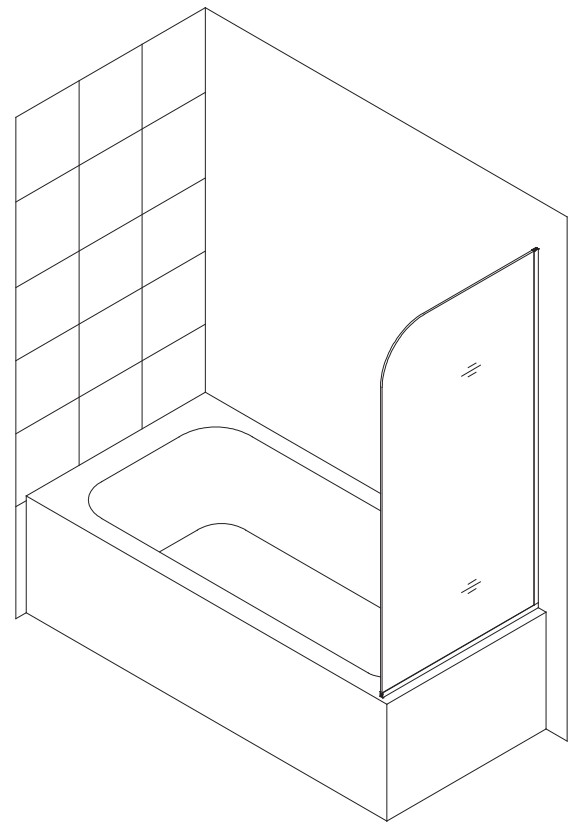
EX / RT STATIONARY PANEL INSTALLATION INSTRUCTIONS

IMPORTANT

DreamLine® reserves the right to alter, modify or redesign products at any time without prior notice. For the latest up-to-date technical drawings, manuals, warranty information or additional details please refer to your model's web page on DreamLine.com



9" x 58" Extender Panel (EX)



30" x 58" Return Panel (RT)

Right hand installation shown



Questions?

Please Call **DreamLine Customer Support: 1-855-831-2126**
Hours of Operation M-F 8AM - 7PM EST and Saturday 9AM - 5PM EST

Support@DreamLine.com



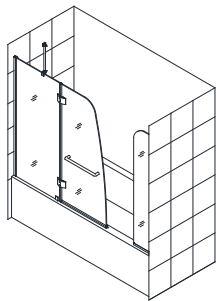
For more information about DreamLine® Shower Doors & Tub Doors please visit DreamLine.com

Table of Contents

Section title	Page #
Aqua Series with Extender (EX) or Return (RT) Panel Model #s	3
Preparation	4
Tools	5
Parts Diagram/Packing List	6
Installation Steps	7-14
Product Maintenance	15

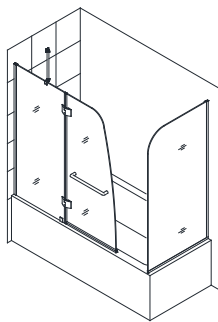
AQUA series with Extender (EX) or Return Panel (RT) Model #s:

Aqua Tub -EX



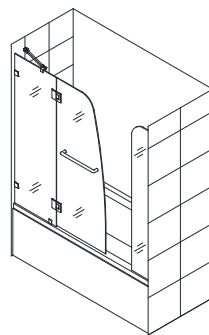
SHDR-3148586-EX-01
SHDR-3148586-EX-04

Aqua Tub -RT



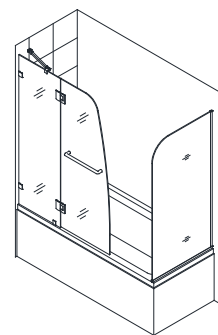
SHDR-3148586-RT-01
SHDR-3148586-RT-04

AquaLux-Tub -EX



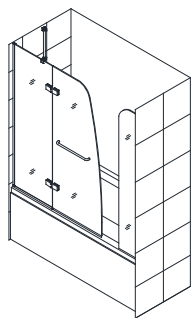
SHDR-3348588-EX-01
SHDR-3348588-EX-04

AquaLux-Tub -RT



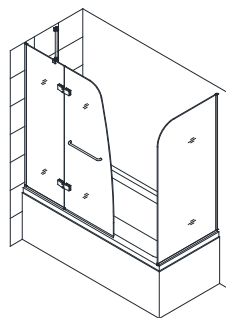
SHDR-3348588-RT-01
SHDR-3348588-RT-04

Aqua-Ultra Tub-EX



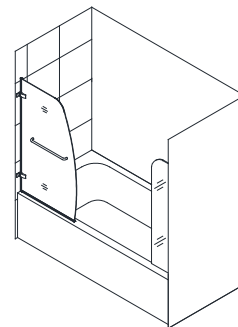
SHDR-3448580-EX-01
SHDR-3448580-EX-04

Aqua-Ultra Tub-RT



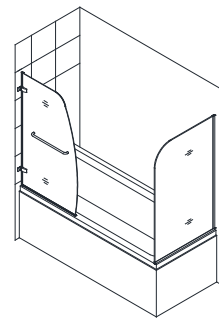
SHDR-3448580-RT-01
SHDR-3448580-RT-04

Aqua Uno-Tub-EX



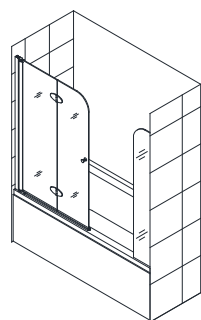
SHDR-3534586-EX-01
SHDR-3534586-EX-04

Aqua Uno-Tub-RT



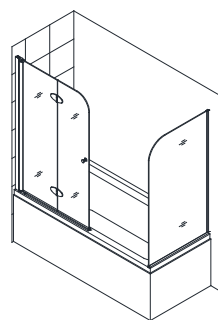
SHDR-3534586-RT-01
SHDR-3534586-RT-04

Aqua Fold-Tub -EX



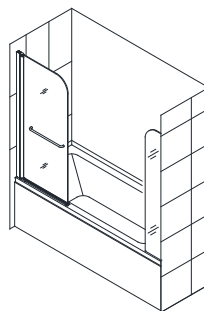
SHDR-3636580-EX-01

Aqua Fold-Tub -RT



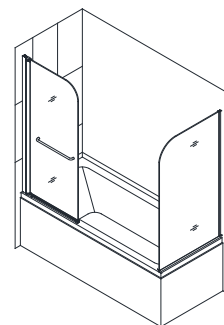
SHDR-3636580-RT-01

Aqua Swing-Tub-EX



SHDR-3734580-EX-01

Aqua Swing-Tub-RT



SHDR-3734580-RT-01

Finish:
01- Chrome
04- Brushed Nickel

Preparation

1. Prior to installation, examine all boxes and packages for shipping damage and compare the piece count with your packing slip. After opening all boxes and packages read this introduction carefully. Check that all of the needed parts are included in the package by checking off the components on the "Detailed Diagram of Shower Door Components". If the unit has been damaged, has a finishing defect, or has missing parts, please contact our customer support department within **3 business days** of the delivery date. **Please note that DreamLine® will not replace any damaged products or missing parts free of charge after 3 business days or if the product has been installed.** Contact DreamLine® if you have any questions and please provide an order number, job name or other proof of purchase to help us identify your original order.
2. **Please note that you should consult your local building codes with questions on installation compliance standards. Building and plumbing codes may vary by location, and DreamLine® is not responsible for code compliance standards for your project and will not accept any returns.**
3. If this unit is going to be installed in a new construction, please install all of the required plumbing and drainage before installing the shower. Use a competent and licensed (if required by local code) plumber for all plumbing installation.
4. Make sure that prior to beginning the installation, the surfaces are leveled and solid and will be able to support the total weight of the unit. Also make sure the walls are at right angles. Irregular installation surface level, radius corners or improper angle of side walls will result in serious problems for your installation. Please, note that some adjustments and drilling might be necessary during the installation process.
5. Protect all primary surfaces of the product during installation. Never set your glass down directly onto a tile floor. Leave corner protectors in place until necessary to remove them. Always use a piece of wood or cardboard to protect the bottom edge and corners of the glass prior to and during installation.
6. This unit must be installed upon a finished threshold and against finished walls.
7. This model allows for a maximum of 1/2" of adjustment for out-of-plumb wall conditions and 1/4" of adjustment for out-of-level conditions within the u-channel. Use a level to verify the opening conditions before proceeding with the installation.
8. **This model requires that you drill into the threshold for proper installation.**
9. These panels require 5/8" of flat threshold space for installation.

This manual assumes that the Aqua Series tub door has already been installed.



NOTE: These panels are reversible for left or right hand installation. This manual will show the right hand installation as an example. For a left hand installation, simply begin on the opposite wall and reverse the orientation of the parts as necessary.

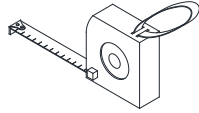


To prevent serious injury, DO NOT lean against the installed panel glass.

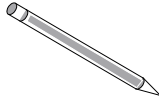
Tools



Level



Tape Measure



Pencil



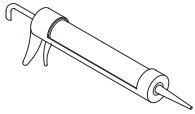
Phillips Screwdriver



Drill bit (Ø=5/16")



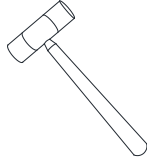
Drill bit (Ø=1/8")



Silicone



Power Drill



Hammer

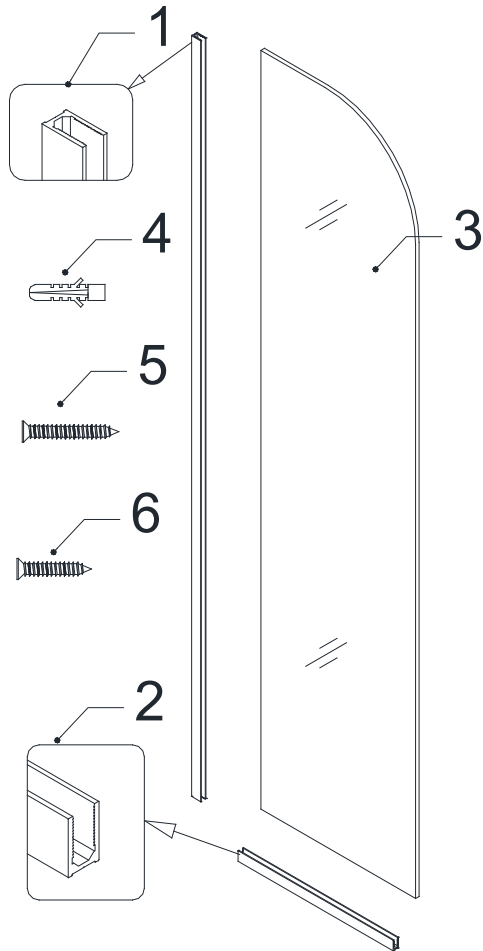
NOTE: Unpack your unit carefully and inspect it. Lay it out and identify all parts using the detailed diagram and packing list in this manual as a reference. Before discarding the carton, check for small hardware bags that may have fallen to the bottom of the box. If any parts are damaged or missing, please contact DreamLine® for replacement. The shipping boxes may contain extra parts not used in your model configuration.

NOTE: Retain these installation instructions for future reference.

Parts Diagram

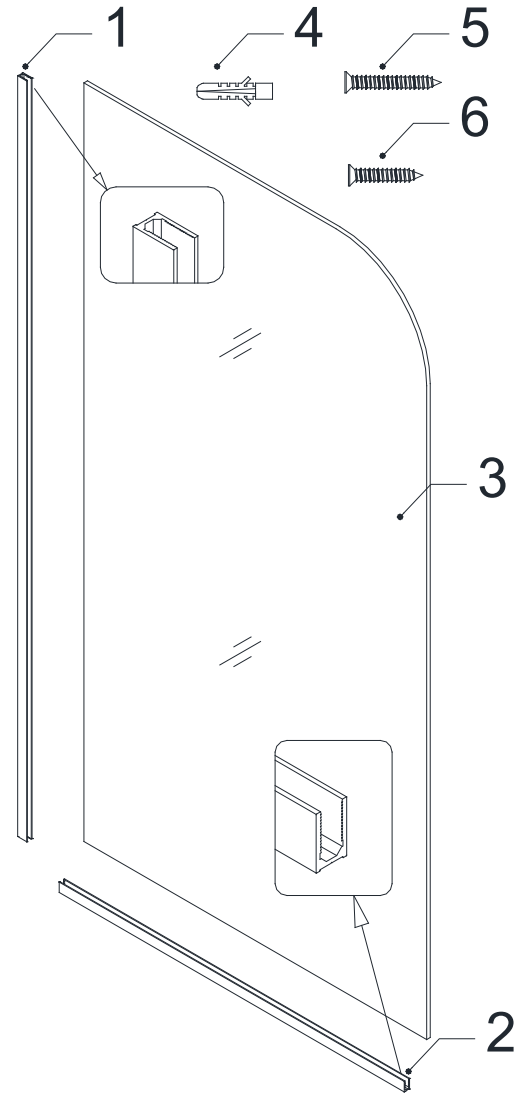
Parts Diagram A

9" x 58" Extender Panel (EX)



Parts Diagram B

30" x 58" Return Panel (RT)



Packing List

Diagram A					
PART#	DESCRIPTION	QTY	PART#	DESCRIPTION	QTY
01	U-Channel 1 (58" wall profile)	1pc	04	Ø5/16" Wall anchor	4pcs
02	U-Channel 2 (9" bottom profile)	1pc	05	Countersunk screw ST4.2x40	4pcs
03	Extender panel glass	1pc	06	Countersunk screw ST4.2x25	2pcs
Diagram B					
01	U-Channel 1 (58" wall profile)	1pc	04	Ø5/16" Wall anchor	4pcs
02	U-Channel 2 (30" bottom profile)	1pc	05	Countersunk screw ST4.2x40	4pcs
03	Return panel glass	1pc	06	Countersunk screw ST4.2x25	2pcs

Installation steps

9" In-Line Extender Panel Installation (EX)

NOTE: The following panel installation instructions apply to all of the Aqua series tub doors. Please install whichever Aqua model tub door you purchased prior to proceeding with the following Stationary Glass installation instructions. Please see the Shower / Tub Door Installation manual included in the door packaging for complete tub door installation instructions.

NOTE: Use **Parts Diagram "A"** for the **EX panel** assembly and installation. (**Fig 1**)

Note: The **bottom u-channel (#02)** should measure: **Glass width (+) 3/16"**
the **vertical u-channel (#01)** should measure: **Glass height (-) 5/8"**

1. Slip the **U-Channel 2 (bottom profile) (#02)** and **U-Channel 1 (wall profile) (#01)** onto the **Extender Panel Glass (#03)**. With the door open, place the **Extender Panel Glass (#03)** and **U-Channel** onto the tub surface ensuring that the **U-Channel 1 (wall profile) (#01)** is flush with the wall. (**Fig 2.1 and 2.1**)

Close the Door Glass and align the **Extender Panel Glass (#03)** (**Fig 2.3**) Ensure that the **Extender Panel Glass (#03)** is precisely in line with the Door Glass and level it vertically (plumb). (**Fig 2.5**) Mark the position of both **U-Channels** along the inside edge on the wall and tub surface (**Fig 2.6**).

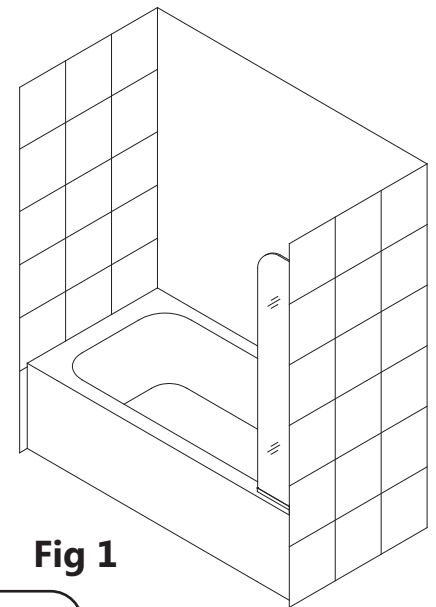


Fig 1

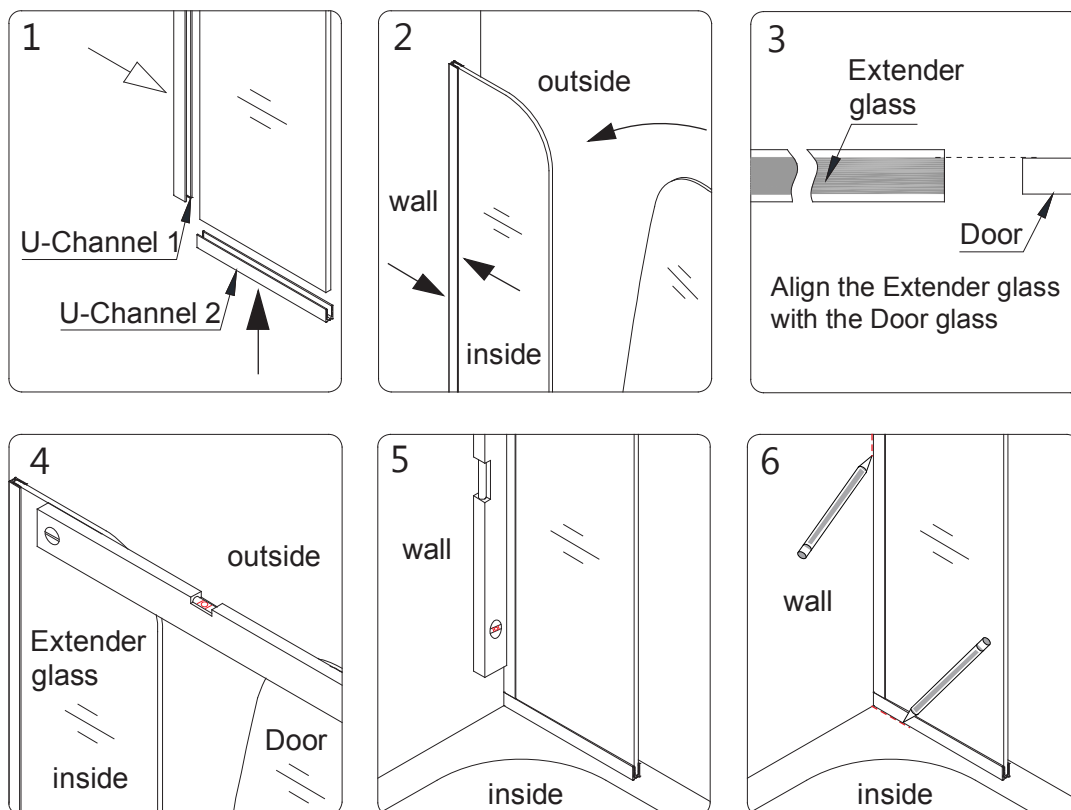


Fig 2

2. Remove the U-Channel 1 (wall profile) (#01) and U-Channel 2 (bottom profile) (#02) from the Extender Panel Glass (#03) and carefully set the Extender Panel Glass (#03) aside. Place the **U-Channel 2 (bottom profile) (#02)** back onto the tub surface in line with the inside U-Channel mark. Mark the drill holes on the tub surface through the pre-drilled holes in the **U-Channel 2 (bottom profile) (#02)** and drill the holes using an $\text{Ø}1/8''$ drill bit. Apply waterproof silicone along the bottom surface and around the holes of the **U-Channel 2 (bottom profile) (#02)** and fasten it to the tub surface with the **Countersunk Screws ST4.2×25 (#06)**. **(Fig 3)**

NOTE: The surface needs to be clean and free of debris before applying silicone.

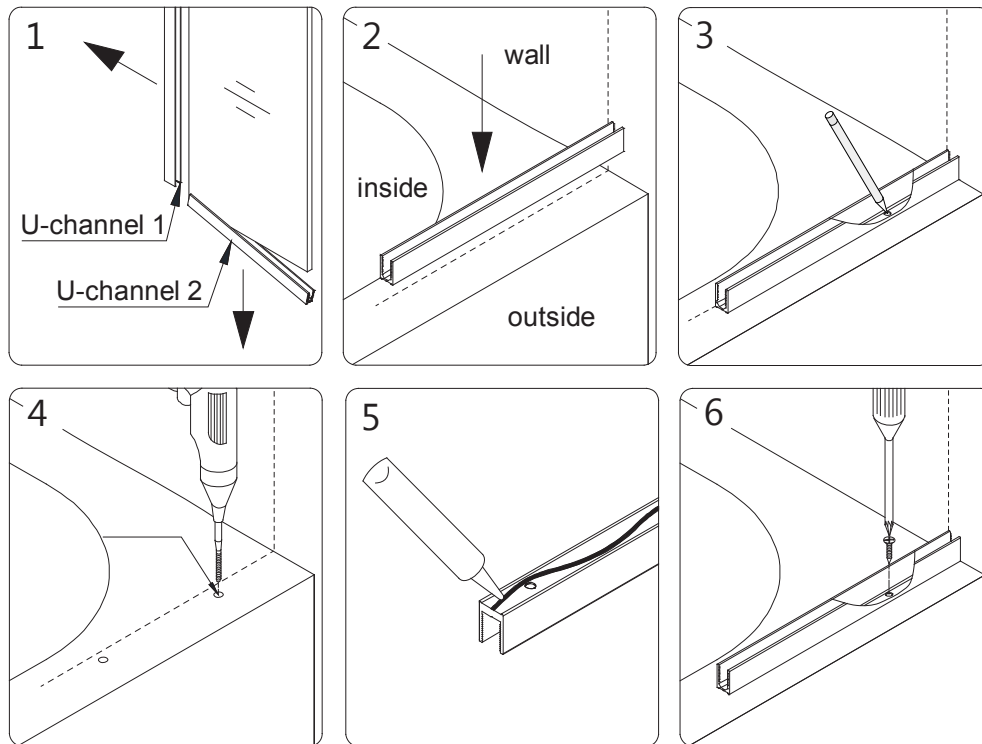


Fig 3

3. Place the U-Channel 1 (wall profile) (#01) onto the U-Channel 2 (bottom profile) (#02) and align it vertically with the inside U-channel wall mark from the previous step (Fig 4.1). Mark the drill holes on the wall through the predrilled holes in the **U-Channel 1 (wall profile) (#01)**.

Now drill holes into the wall using a $\text{Ø}5/16''$ drill bit and insert the $\text{Ø}5/16''$ **Wall Anchors (#04)**. Apply waterproof silicone along the bottom surface and around the holes of the **U-Channel 1 (wall profile) (#01)** and fasten it to the wall with the **Countersunk Screws ST4.2×40 (#05)**. **(Fig 4)**

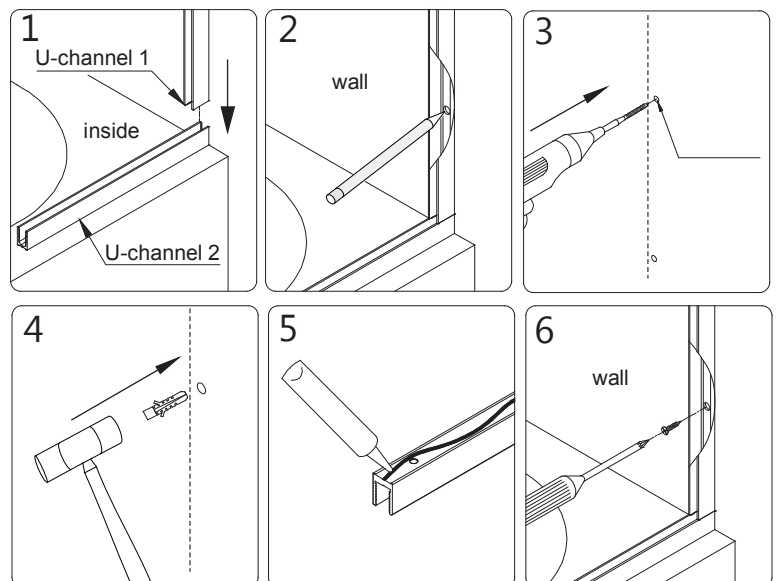


Fig 4

4. Apply waterproof silicone into both U-Channels. (Fig 5)

NOTE: The surface needs to be clean and free of debris before applying silicone.

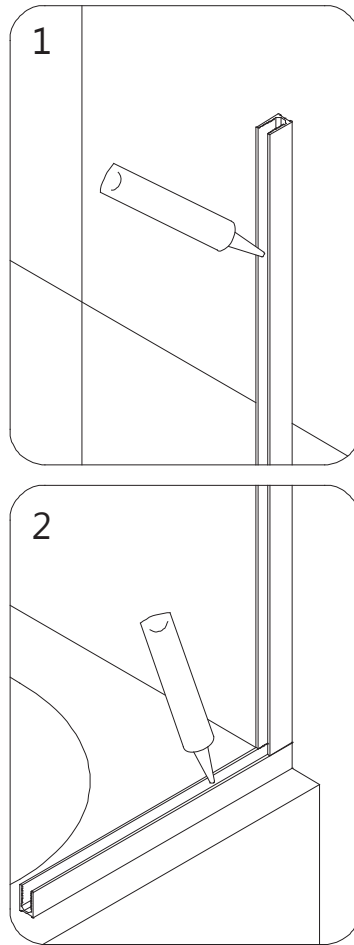


Fig 5

5. Slide the Extender Panel Glass (#03) into the installed U-Channels.

NOTE: If you have difficulty sliding the **Extender Panel Glass (#03)** into the U-Channels, you can use a small block of wood and a rubber mallet to lightly tap on the Extender glass until the glass is firmly set in the U-Channel. Apply a dab of silicone into both open ends of the U-Channels. (Fig 6)

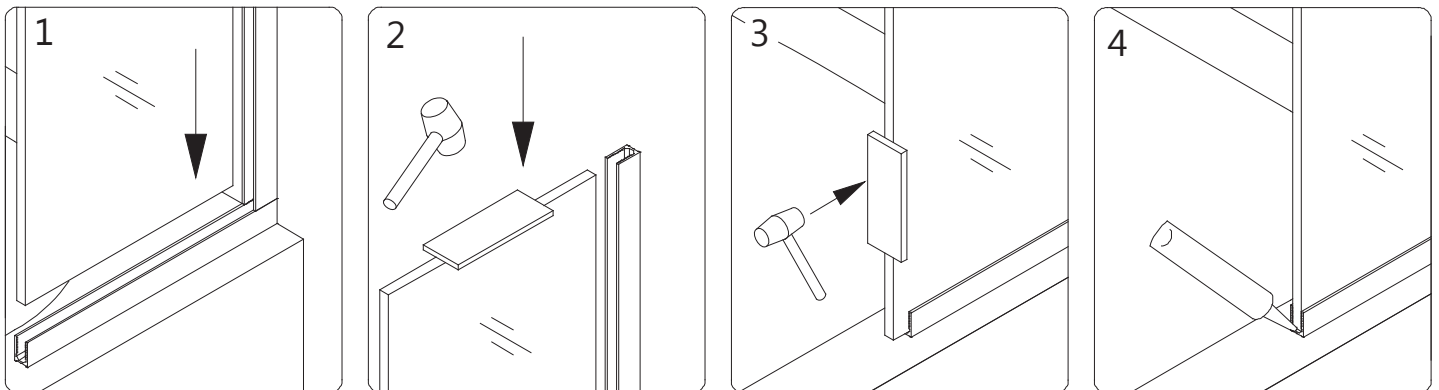


Fig 6

6. Apply a good quality mildew-resistant waterproof silicone along the connection of both U-Channels to the wall and tub surface from the inside of the shower. **(Fig 7)**



Allow 24 hours for the silicone to fully cure before using the shower.

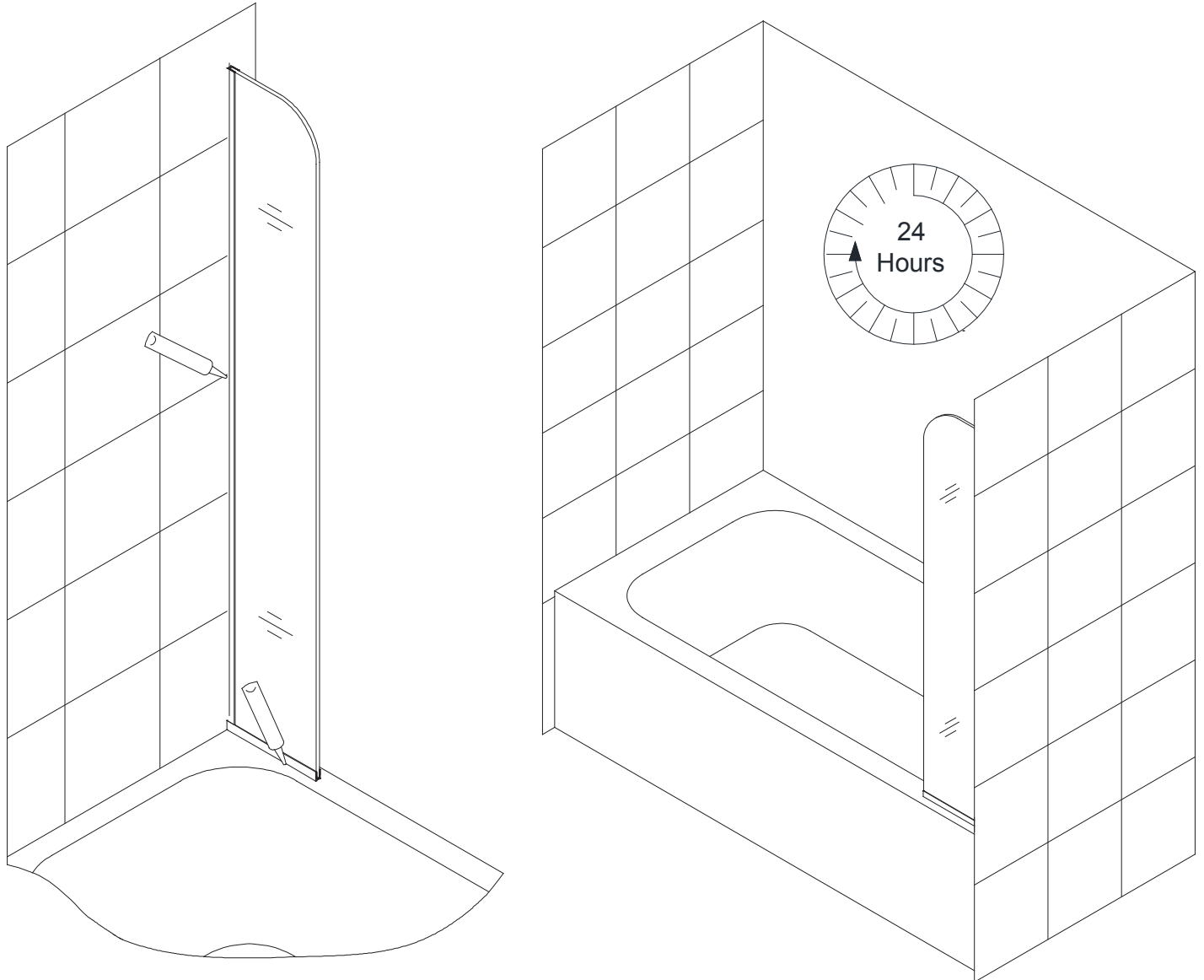


Fig 7

30" Return Panel Installation (RT)

NOTE: The following panel installation instructions apply to all of the Aqua series tub doors. Please install whichever Aqua model you purchased prior to proceeding with the following Return Glass installation instructions. Please see the Shower / Tub Door Installation manual included in the door packaging for complete tub door installation instructions.

NOTE: Use **Parts Diagram "B"** for the **RT panel** assembly and installation (**Fig 8**)

Note: The **bottom u-channel (#02)** should measure: **Glass width (+) 3/16"**
the **vertical u-channel (#01)** should measure: **Glass height (-) 5/8"**

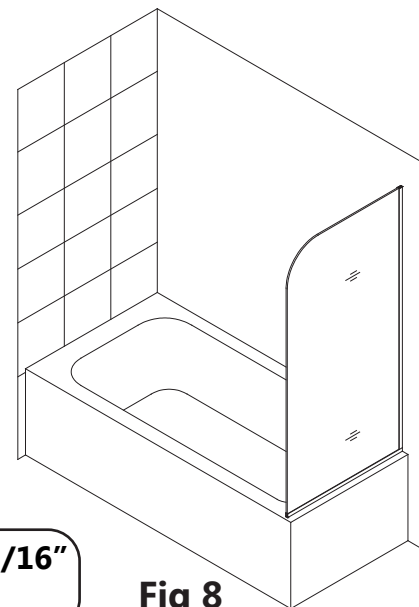


Fig 8

7. Slip the **U-Channel 2 (bottom profile) (#02)** and **U-Channel 1 (wall profile) (#01)** onto the **Return Panel Glass (#03)**.

With the door open, place the **Return Panel Glass (#03)** onto the middle of the tub ledge adjacent to the door ensuring that the **U-Channel 1 (wall profile) (#01)** is flush with the wall. Adjust the **Return Panel Glass (#03)** vertically using a level.

Mark the position of both **U-Channels** along the inside edge on the wall and tub surface. (**Fig 9.4**)

Remove the **U-Channel 1 (wall profile) (#01)** and **U-Channel 2 (bottom profile) (#02)** from the **Return Panel Glass (#03)** and carefully set the **Return Panel Glass (#03)** aside. (**Fig 9**)

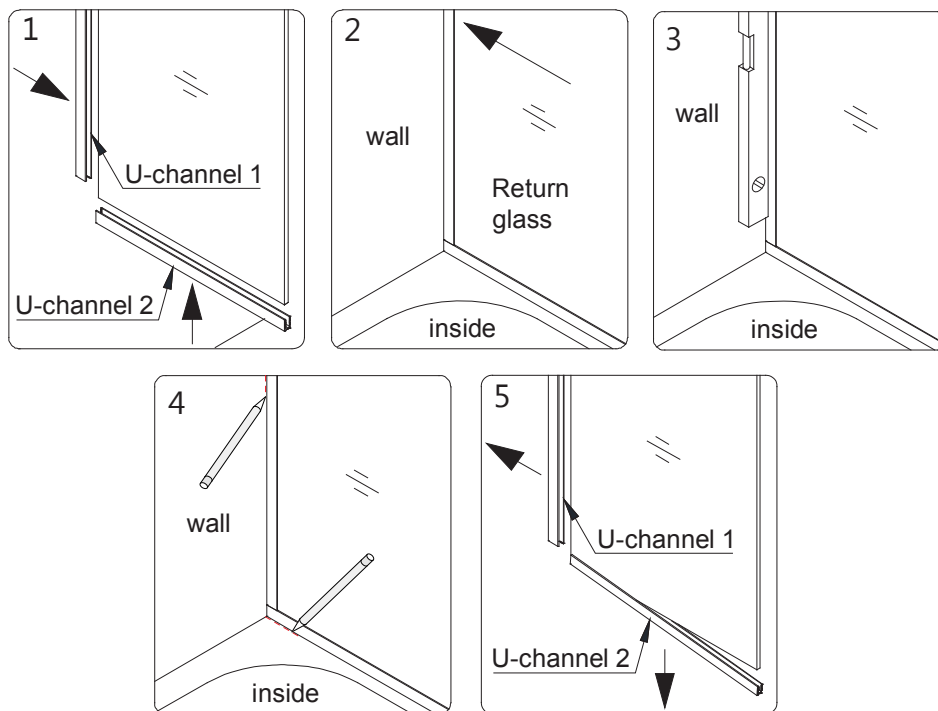


Fig 9

8. Place the **U-Channel 2 (bottom profile) (#02)** onto the tub surface in line with the inside **U-Channel** mark. Mark the drill holes onto the tub ledge through the predrilled holes in the **U-Channel 2 (bottom profile) (#02)** and drill the holes using a **Ø1/8"** drill bit.

Apply waterproof silicone along the bottom surface and around the holes of the **U-Channel 2 (bottom profile) (#02)** and fasten it to the tub ledge with the **Countersunk Screws ST4.2×25 (#06)**. (Fig 10)

NOTE: The surface needs to be clean and free of debris before applying silicone.

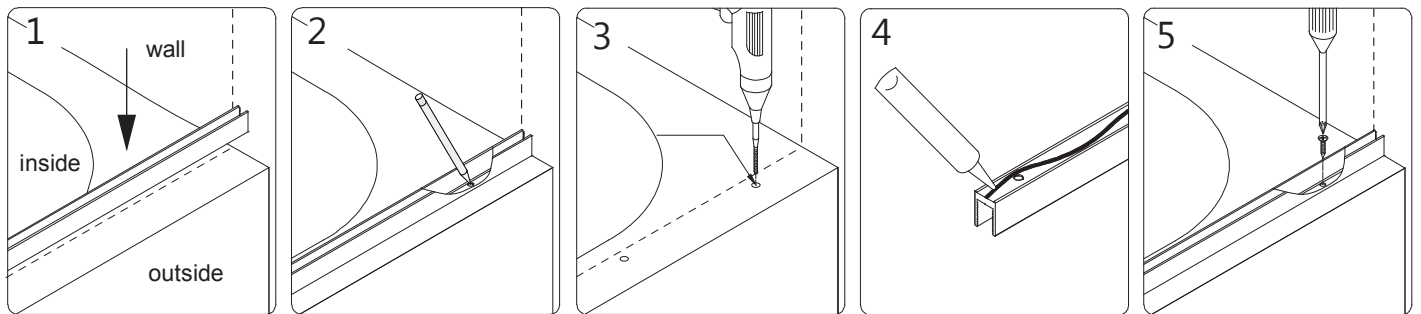


Fig 10

9. Place the **U-Channel 1 (wall profile) (#01)** onto the **U-Channel 2 (bottom profile) (#02)** and align vertically with the inside U-Channel wall mark from the previous step.

Mark the drill holes on the wall through the predrilled holes in the **U-Channel 1 (wall profile) (#01)**. Now drill holes in the wall using a **Ø5/16"** drill bit and insert the **Ø5/16"** Wall Anchors (#04). Apply waterproof silicone along the bottom surface and around the holes of the **U-Channel 1 (wall profile) (#01)** and fasten it to the wall with the **Countersunk Screws ST4.2×40 (#05)**. (Fig 11)

NOTE: The surface needs to be clean and free of debris before applying silicone.

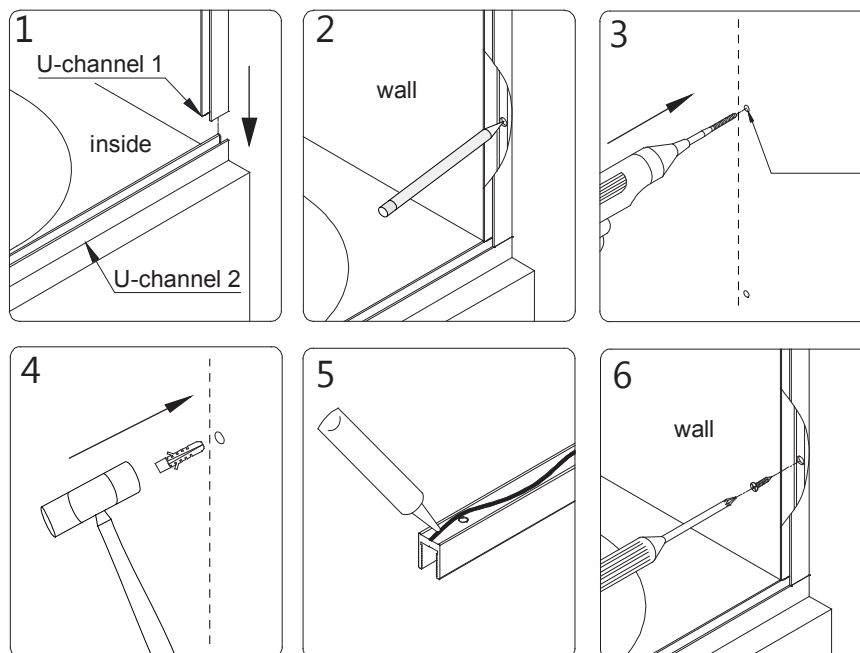


Fig 11

10. Apply waterproof silicone into both U-Channels. **(Fig 12)**

NOTE: The surface needs to be clean and free of debris before applying silicone.

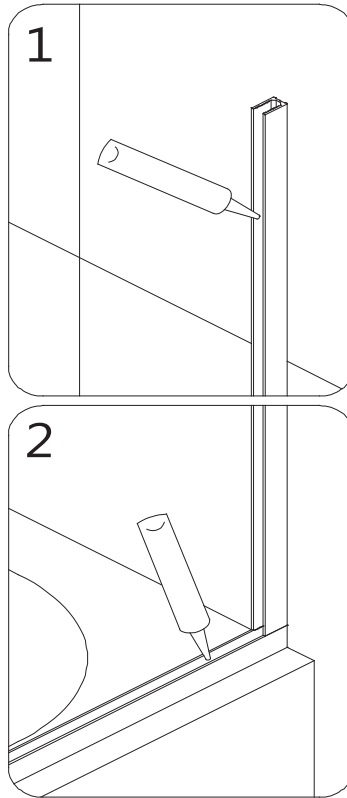


Fig 12

11. Slide the **Return Panel Glass (#17)** into the groove of the installed U-Channels.

NOTE: If you have difficulty sliding the **Return Panel Glass (#17)** into the U-Channels, you can use a small block of wood and a rubber mallet to lightly tap on the Extender glass until the glass is firmly set in the U-Channel.

Apply a dab of silicone to both open ends of the U-Channels. **(Fig 13)**

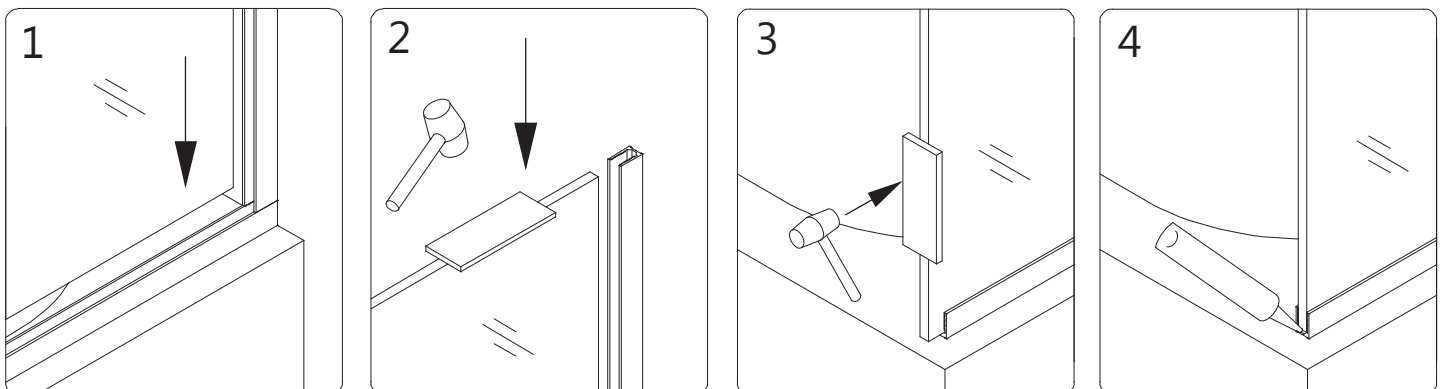


Fig 13

12. Apply a good quality mildew-resistant waterproof silicone along the connection of both U-Channels to the wall and tub surface from the inside of the shower. **(Fig 14)**



Allow 24 hours for the silicone to fully cure before using the shower.

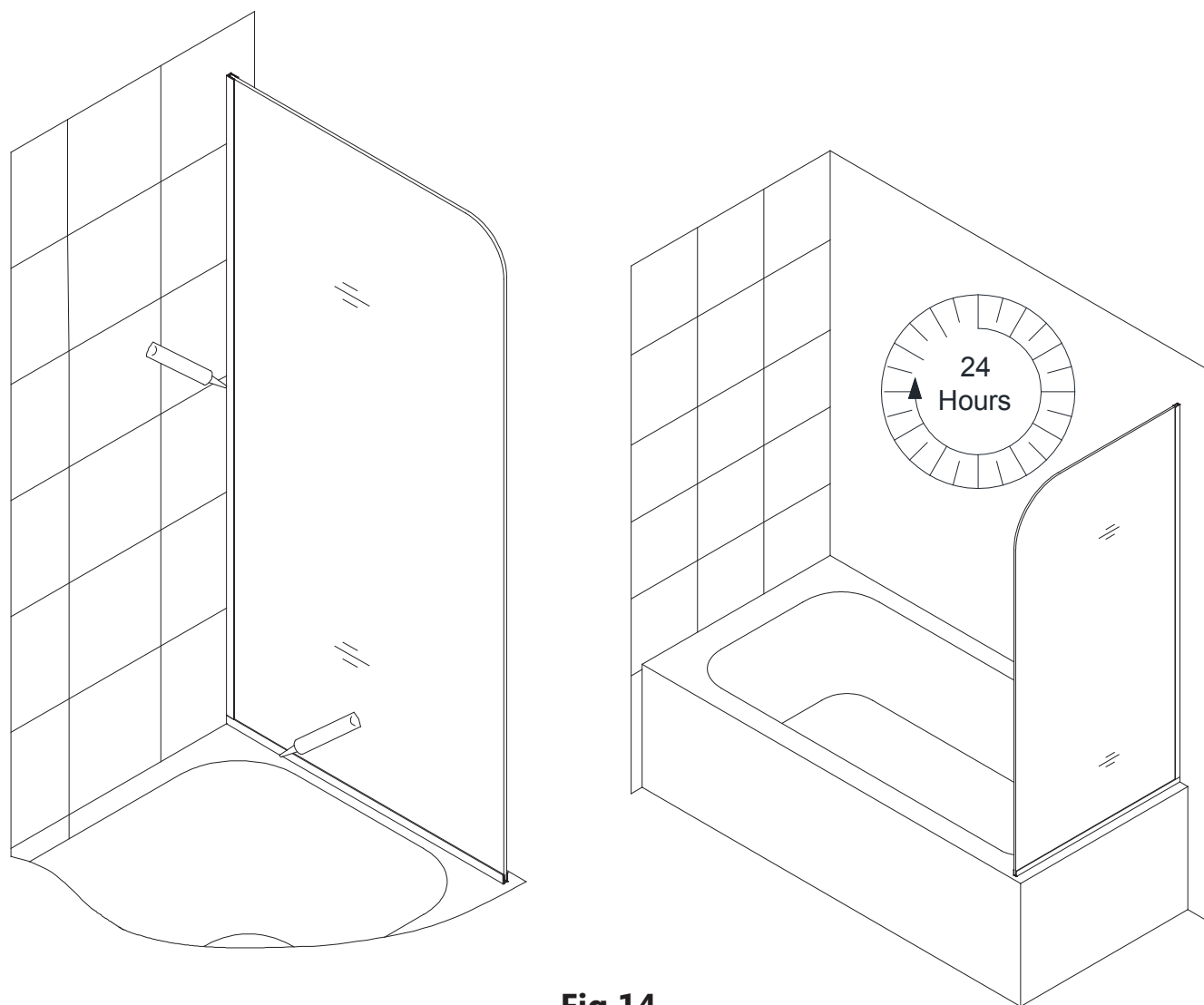


Fig 14

Product Maintenance

BASES and BACKWALLS: To ensure long lasting life for your acrylic back walls: wipe them off after each use with a soft cloth. To clean the acrylic back walls use non-abrasive sprays or cream based cleaners. Avoid the use of aerosol spray cleaners. Never use abrasive cleansers, metal brushes or scrapers that could scratch or dull the surface.

GLASS: To ensure long lasting life for your glass shower products: wipe them off after each use with a soft cloth. Rinse and wipe off the glass using either a soft cloth or a squeegee to prevent soap buildup and water spots (Hard water can etch the surface of the glass over time if left to dry). To prevent scratching the surface: never use abrasive cleaners or cleaning products that contain scouring agents. Never use bristle brushes or abrasive sponges that may scratch the surface.

HARDWARE: To ensure a long lasting finish: wipe off the metal parts after each use with a soft cloth. Do not use abrasive cleaners or cleaning products containing ammonia, bleach or acid. If accidentally used, rinse the surface as soon as possible to prevent damage to the finish (peeling or corrosion). After cleaning the polished finishes, rinse thoroughly and wipe dry with a soft cloth. Clean stainless steel surfaces at least once a week. When applying stainless steel cleaner or polish to stainless steel hardware, work with (not across) the grain. Never use an abrasive sponge or cloth, steel wool or wired brush as these may permanently scratch the surfaces.

NOTE: To maximize the life of your product, it is important to regularly inspect the glass and other hardware for misalignment, proper attachment, and/or damage. Contact DreamLine® with any questions or concerns.



TEL: 866-731-2244
FAX: 866-857-3638
DREAMLINE.COM

For more information on DreamLine® Shower Doors and Enclosures please visit DreamLine.com