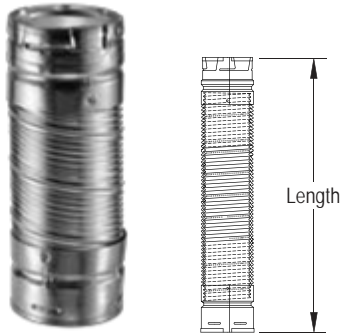


DURACONNECT® - Connector Systems

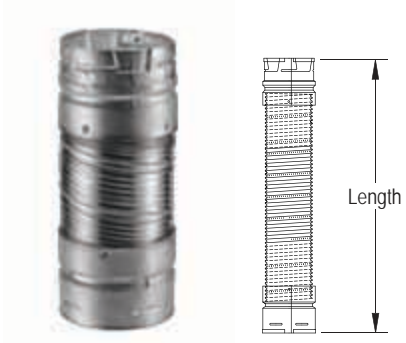
DuraConnect II - Double-Wall Flex Connector



Use as a connector system to replace rigid gas vent with a flexible section. DuraConnect II can be used when Type B gas vent double-wall connector is required. Not to be enclosed and cannot penetrate through walls, floors, or ceilings. Twist-lock connectors on each end.

SIZE	LENGTH	STOCK #	ORDER #
3"	12"	3DV12DW	6505
3"	24"	3DV24DW	6504
3"	36"	3DV36DW	6503
3"	48"	3DV48DW	6502
3"	60"	3DV60DW	6501
4"	12"	4DV12DW	6605
4"	24"	4DV24DW	6604
4"	36"	4DV36DW	6603
4"	48"	4DV48DW	6602
4"	60"	4DV60DW	6601
5"	12"	5DV12DW	6705
5"	24"	5DV24DW	6704
5"	36"	5DV36DW	6703
5"	48"	5DV48DW	6702
5"	60"	5DV60DW	6701

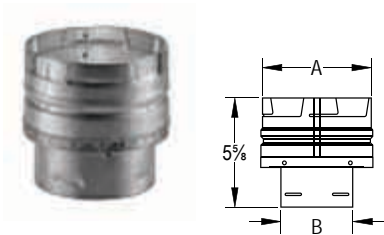
DuraConnect I - Single-Wall Flex Connector



Use anywhere a single-wall connector is allowed. Not to be enclosed. Twist-lock connectors on each end. Patented.

SIZE	LENGTH	STOCK #	ORDER #
3"	12"	3DV12	6006
3"	24"	3DV24	6004
3"	36"	3DV36	6003
3"	48"	3DV48	6002
3"	60"	3DV60	6001
4"	12"	4DV12	6106
4"	24"	4DV24	6104
4"	36"	4DV36	6103
4"	48"	4DV48	6102
4"	60"	4DV60	6101
5"	12"	5DV12	6206
5"	24"	5DV24	6204
5"	36"	5DV36	6203
5"	48"	5DV48	6202
5"	60"	5DV60	6201

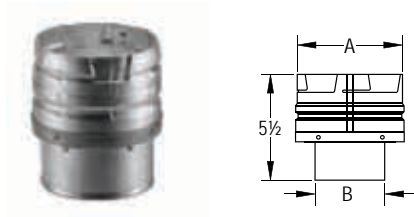
Increaser



Use single-wall Increaser to increase vent. Additional sizes available through special order.

SIZE	STOCK #	ORDER #	A	B
3" x 4"	3DVX4	6010	4 1/2"	3 5/8"
3" x 5"	3DVX5	6011	5 1/2"	3 5/8"
3" x 6"	3DVX6	6012	6 1/2"	3 5/8"
4" x 5"	4DVX5	6110	5 1/2"	4 5/8"
4" x 6"	4DVX6	6111	6 1/2"	4 5/8"
4" x 7"	4DVX7	6112	7 1/2"	4 5/8"
5" x 6"	5DVX6	6210	6 1/2"	5 5/8"
5" x 7"	5DVX7	6211	7 1/2"	5 5/8"

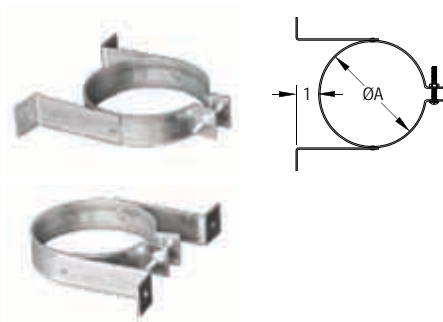
Appliance Connector



Use to attach an appliance to DuraConnect connector pipe.

SIZE	STOCK #	ORDER #	A	B
3"	3DVC	6070	3 1/2"	3"
4"	4DVC	6170	4 1/2"	4"
5"	5DVC	6270	5 1/2"	5"

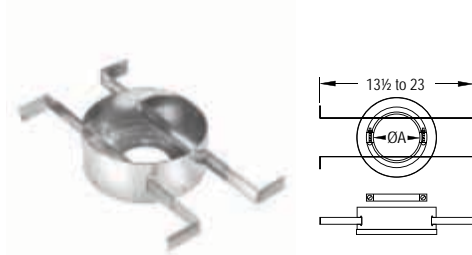
Wall Strap



Use to provide support for offsets and horizontal runs. Recommended every 4' to support vertical common vent. Use also with DuraConnect or DuraConnect II. Wall Strap legs can be rotated 360° to conceal screw.

SIZE	STOCK #	ORDER #	A
3"	3GVWS	1485	3 5/8"
4"	4GVWS	1486	4 5/8"
5"	5GVWS	1487	5 5/8"

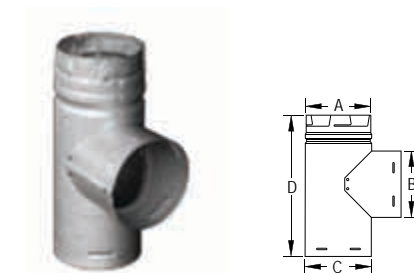
Round Support



Use to support the Type B gas vent between 16" to 24" on center joists or rafters. A Firestop Spacer is required.

SIZE	STOCK #	ORDER #	A
3"	3DVRS	6020	3 3/4"
4"	4DVRS	6120	4 3/4"
5"	5DVRS	6220	5 3/4"

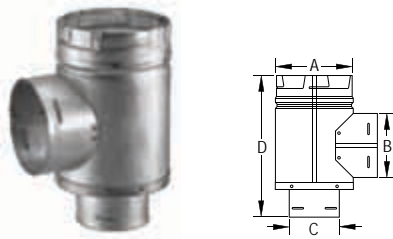
Standard Tee



Use for a 90° offset or to combine connectors from two or more appliances into a common vent.

SIZE	BRANCH & BASE	STOCK #	ORDER #	A	B	C	D
3"	Tee w/3" BR at 90°	3DVT	6090	3 1/2"	3 5/8"	3 5/8"	9"
4"	Tee w/3" BR at 90°	4DVT3	6191	4 1/2"	3 5/8"	4 5/8"	9"
4"	Tee w/4" BR at 90°	4DVT	6190	4 1/2"	4 5/8"	4 5/8"	10"
5"	Tee w/3" BR at 90°	5DVT3	6292	5 1/2"	3 5/8"	5 5/8"	9"
5"	Tee w/4" BR at 90°	5DVT4	6291	5 1/2"	4 5/8"	5 5/8"	9 3/4"
5"	Tee w/5" BR at 90°	5DVT	6290	5 1/2"	5 5/8"	5 5/8"	11"

Increaser Tee



Attaches smaller pipe to branch and smaller pipe to body. Use for a 90° offset or to combine connectors from two or more appliances into a common vent. Additional sizes available through special order.

SIZE	BRANCH & BASE	STOCK #	ORDER #	A	B	C	D
5"	Tee w/4" BR-3" Base	5DVT43	6293	5 1/2"	4 5/8"	3 3/8"	10 1/4"
5"	Tee w/3" BR-4" Base	5DVT34	6294	5 1/2"	3 5/8"	4 5/8"	8 7/8"

Tee Cap



Use to cap Standard Tee or Increaser Tee. Remove Tee Cap to inspect the system; clean out debris or collected condensate from the common vent. Fits on outer wall.

SIZE	STOCK #	ORDER #	A
3"	3DVTC	6051	3 5/8"
4"	4DVTC	6151	4 5/8"
5"	5DVTC	6251	5 5/8"

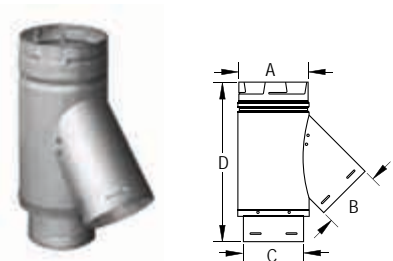
Standard Wye - 45° Branch



Use to combine DuraConnect connectors from two or more appliances into a common vent. Additional sizes available through special order.

SIZE	BRANCH & BASE	STOCK #	ORDER #	A	B	C	D
3"	Y w/3" BR at 45°	3DVY	6045	3 1/2"	3 5/8"	3 5/8"	10 1/2"
4"	Y w/3" BR at 45°	4DVY3	6146	4 1/2"	3 5/8"	4 5/8"	10 1/2"
4"	Y w/4" BR at 45°	4DVY4	6145	4 1/2"	4 5/8"	4 5/8"	11 3/4"
5"	Y w/3" BR at 45°	5DVY3	6247	5 1/2"	3 5/8"	5 5/8"	10 1/2"
5"	Y w/5" BR at 45°	5DVY	6245	5 1/2"	5 5/8"	5 5/8"	13 1/4"

Increaser Wye - 45° Branch



Use to combine DuraConnect connectors from two or more appliances. Use to connect single-wall pipe or DuraConnect to common vented Type B gas vent.

SIZE	BRANCH & BASE	STOCK #	ORDER #	A	B	C	D
4"	Y w/3" BR at 45°-3" Base	4DVY33	6143	4 5/8"	3 5/8"	3 5/8"	11 1/4"
5"	Y w/3" BR at 45°-4" Base	5DVY34	6243	5 5/8"	3 5/8"	4 5/8"	11 1/4"
5"	Y w/4" BR at 45°-4" Base	5DVY44	6242	5 5/8"	4 5/8"	4 5/8"	12 5/8"
5"	Y w/4" BR at 45°-3" Base	5DVY43	6248	5 5/8"	4 5/8"	3 5/8"	13"
5"	Y w/5" BR at 45°-3" Base	5DVY53	6241	5 5/8"	5 5/8"	3 5/8"	14 1/4"