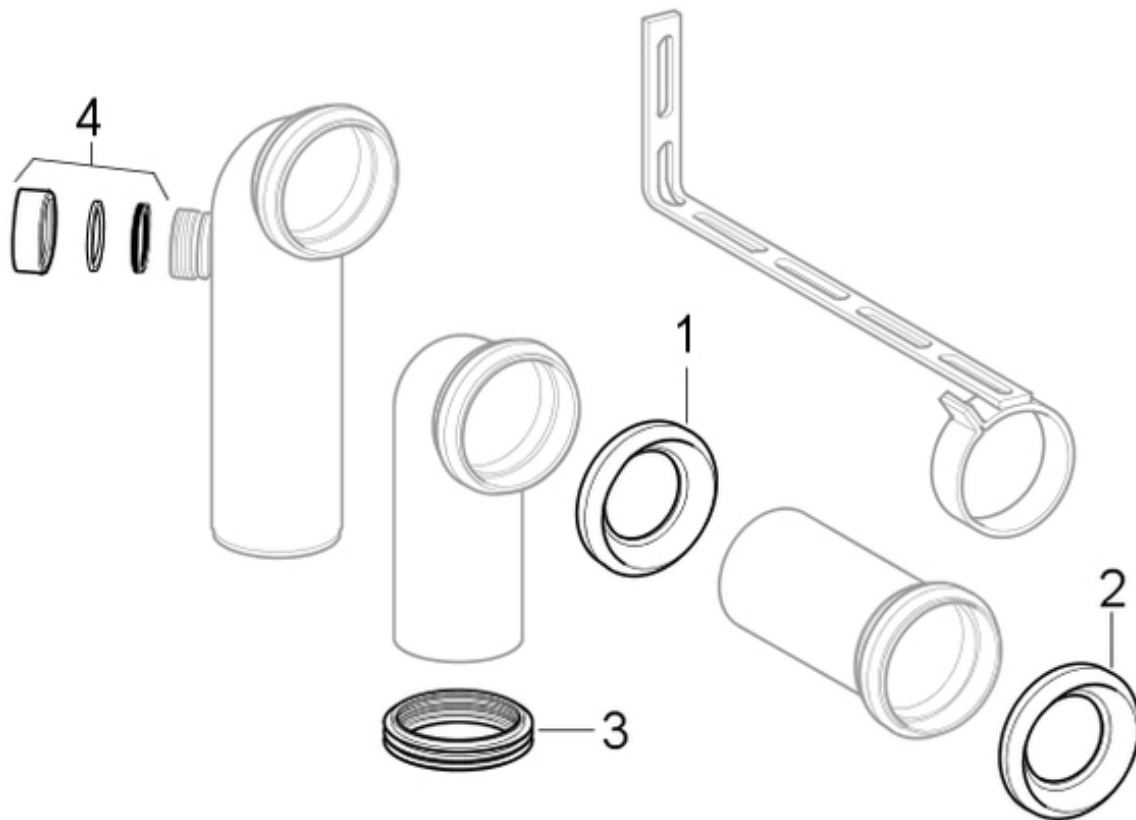


## WC outlet bend, 90°

Year of manufacture 1979-

152.613.11.1

152.647.00.1



Pos.	Description	Article no.	Comment
1	sleeve EPDM für d90 50IRHD	854.487.00.1	
2	sleeve EPDM für d90 50IRHD	854.487.00.1	
3	Rubber seal for HDPE socket for floor mounted WC, dia. 110 x 120-125 mm	152.497.00.1	
4	UNut PP 60/1/8'' sealing for WWC bend	242.081.11.1	