



# GERBER

VITREOUS CHINA  
TOILET  
**20-832**

LAVATORIES

TOILETS

BIDETS / URINALS

CAST IRON



12" Rough-in

## Gravity Avalanche Two-Piece ErgoHeight™ Elongated Toilet

### Features:

- Two piece toilet with Concealed Trapway for superior look with easy installation and cleaning
- Elongated Bowl (18 1/2") for optimal comfort
- Single flush 1.28 HET provides for maximum performance at optimal water savings
- Best in Class Fluidmaster Fill Valve and WDI 3" Flush Valve inside
- Front Mount Tank Lever
- Color-match bolt cover plates included
- Recommended toilet seat for top mount installation: 99-849



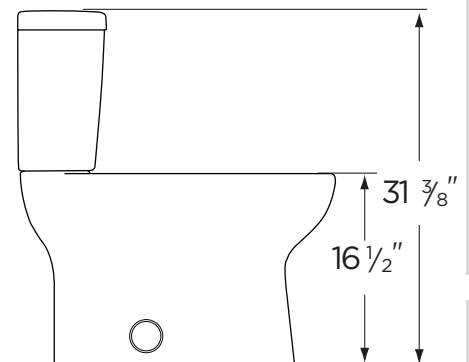
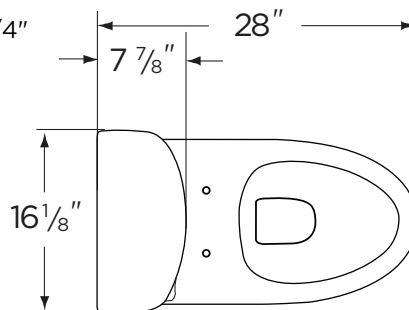
Specifications: #20-832 (21-832 Bowl, 28-830 Tank)

### Dimensions:

- Height ..... 31 3/8"
- Width ..... 16 1/8"
- Depth ..... 28"
- Rough-in ..... 12"
- Trapway (min) ..... 2"
- Shipping Weight ..... 108 lbs
- Water Surface ..... 9-16/19" X 7-1/4"

### Warranty:

- Limited Lifetime Warranty



THIS FIXTURE QUALIFIES ACCORDING TO ASME TEST PROCEDURES AS HIGH EFFICIENCY WATER CLOSET WITH AN AVERAGE CONSUMPTION OF 1.28gpf(4.8Lpf) OR LESS

[www.gerberonline.com](http://www.gerberonline.com)



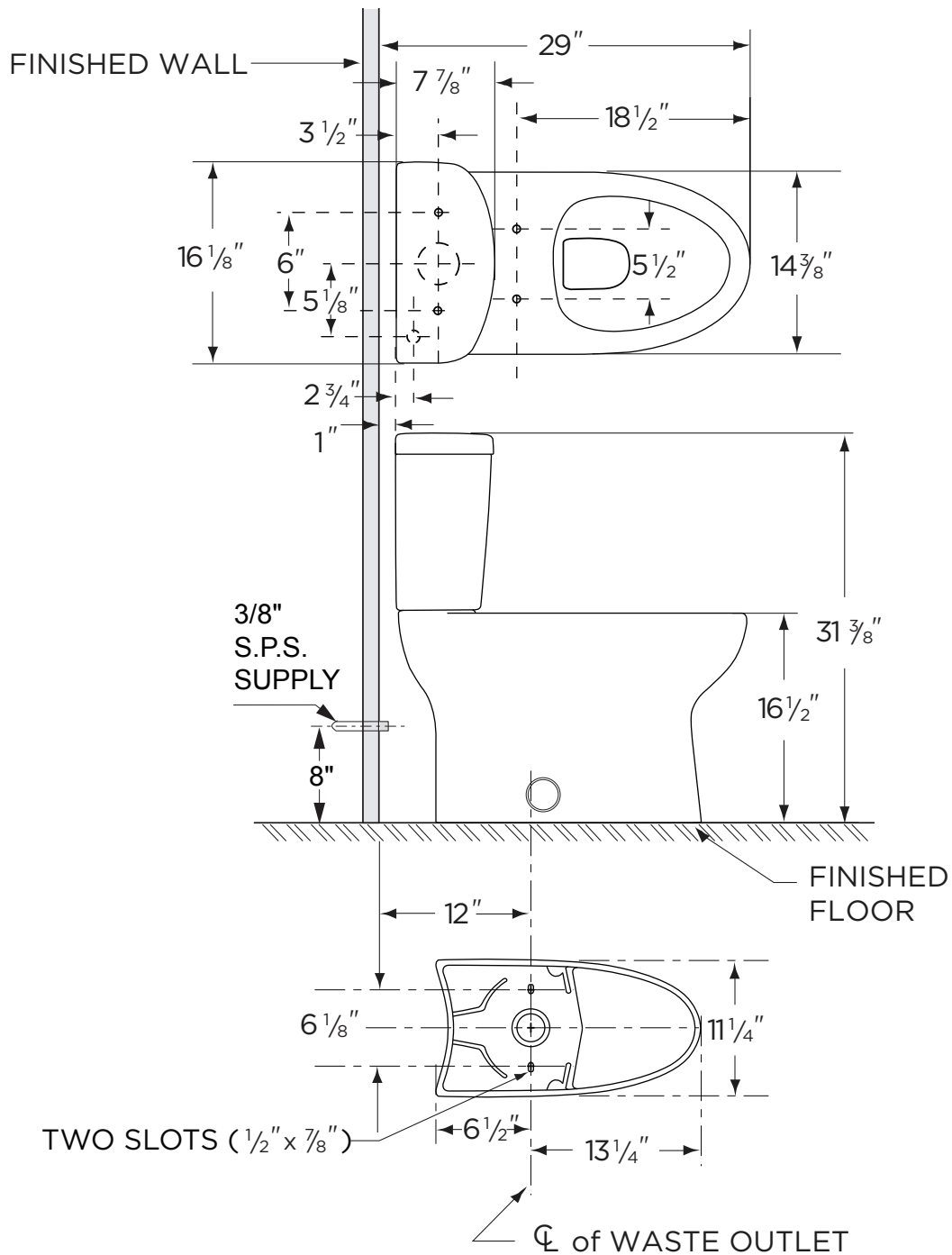


# GERBER

1.28 gpf (4.8 Lpf) TOILET

**20-832**

12" Rough-in  
(Two-Piece)



THIS FIXTURE QUALIFIES ACCORDING TO ASME TEST PROCEDURES AS HIGH EFFICIENCY WATER CLOSET WITH AN AVERAGE CONSUMPTION OF 1.28gpf(4.8Lpf) OR LESS

**IMPORTANT:**  
Dimensions of fixtures are nominal and may vary within the range of tolerances established by ASME Standard A 112.19.2.  
THIS FIXTURE QUALIFIES ACCORDING TO ASME TEST PROCEDURES AS A HIGH EFFICIENCY WATER CLOSET WITH AN AVERAGE CONSUMPTION OF 1.28 gpf (4.8 Lpf) OR LESS.