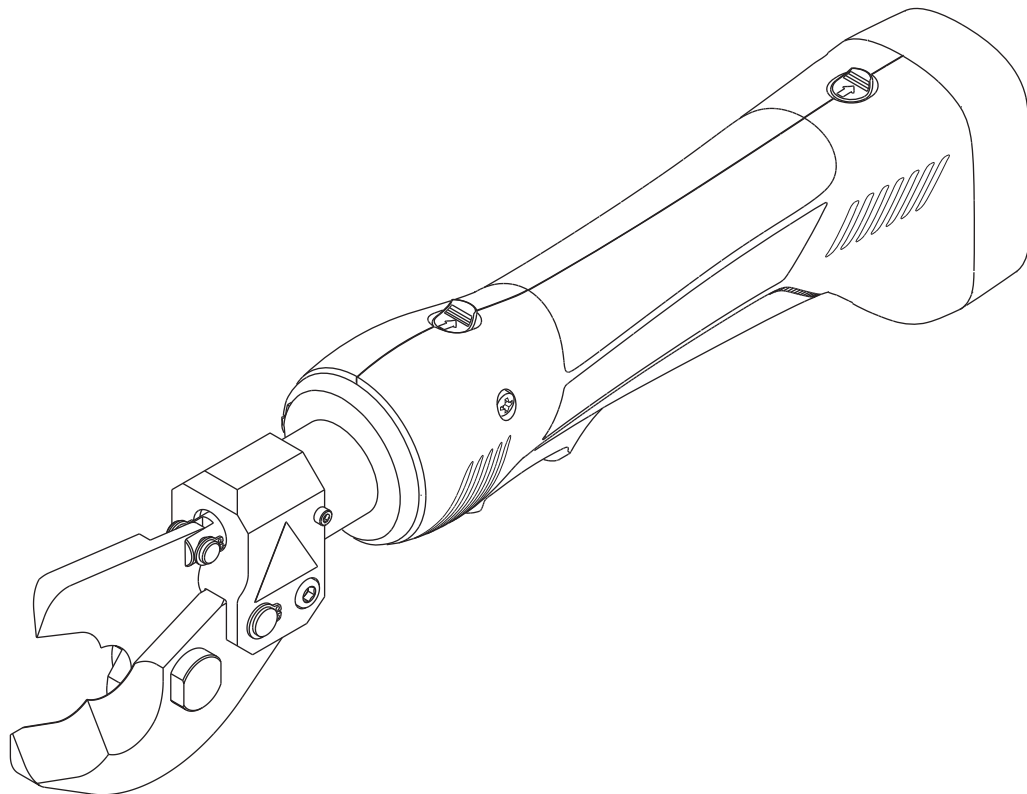


# INSTRUCTION MANUAL



**GREENLEE**<sup>®</sup>  
A Textron Company

Serialnummer



## **GATOR<sup>®</sup> ES32** **Battery-powered** **Cable Cutter**



**Read and understand** all of the instructions and safety information in this manual before operating or servicing this tool.

Register this product at [www.greenlee.com](http://www.greenlee.com)

## Table of Contents

Description .....	2
Safety .....	2
Purpose of this Manual .....	2
Important Safety Information .....	3-4
Identification .....	5
Specifications .....	5
Operation .....	6
Maintenance .....	7
Troubleshooting .....	8
Illustrations .....	9-10
Parts List .....	11

## Description

The ES32 Battery-powered Cable Cutter is a hand-held, self-contained cutting tool intended to cut aluminum and copper cable only.

## Safety

Safety is essential in the use and maintenance of Greenlee tools and equipment. This manual and any markings on the tool provide information for avoiding hazards and unsafe practices related to the use of this tool. Observe all of the safety information provided.

## Purpose of this Manual

This manual is intended to familiarize all personnel with the safe operation and maintenance procedures for the following Greenlee tool:

ES32 Battery-powered Cable Cutter

Keep this manual available to all personnel.

Replacement manuals are available upon request at no charge at [www.greenlee.com](http://www.greenlee.com).

All specifications are nominal and may change as design improvements occur. Greenlee Textron Inc. shall not be liable for damages resulting from misapplication or misuse of its products.

GATOR is a registered trademark of Greenlee Textron Inc.

Tellus is a registered trademark of Shell Oil Company.

# ***KEEP THIS MANUAL***

**IMPORTANT SAFETY INFORMATION**



**SAFETY ALERT SYMBOL**

This symbol is used to call your attention to hazards or unsafe practices which could result in an injury or property damage. The signal word, defined below, indicates the severity of the hazard. The message after the signal word provides information for preventing or avoiding the hazard.

**⚠ DANGER**

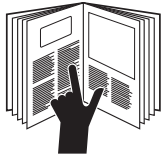
Immediate hazards which, if not avoided, **WILL** result in severe injury or death.

**⚠ WARNING**

Hazards which, if not avoided, **COULD** result in severe injury or death.

**⚠ CAUTION**

Hazards or unsafe practices which, if not avoided, **MAY** result in injury or property damage.



**⚠ WARNING**

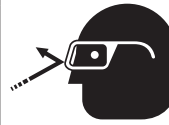
Read and understand all of the instructions and safety information in this manual before operating or servicing this tool.

Failure to observe this warning could result in severe injury or death.



**⚠ WARNING**

Electric shock hazard:  
This tool is not insulated. When using this unit near energized electrical lines, use proper personal protective equipment.  
Failure to observe this warning could result in severe injury or death.



**⚠ WARNING**

Wear eye protection when operating or servicing this tool.  
Failure to wear eye protection could result in serious eye injury from flying debris or hydraulic oil.



**⚠ WARNING**


Skin injection hazard:  
Do not use hands to check for oil leaks. High pressure oil easily punctures skin causing serious injury, gangrene, or death. If injured, seek medical help immediately to remove oil.



**⚠ WARNING**

Do not use solvents or flammable liquids to clean the cutting tool. Solvents or flammable liquids could ignite and cause serious injury or property damage.

## IMPORTANT SAFETY INFORMATION

	<b>⚠ WARNING</b>
	<p>Cutting hazard:</p> <ul style="list-style-type: none"> <li>• Remove battery before changing dies, adapters, or jaws.</li> <li>• Keep hands away from the cutting head when cutting.</li> </ul> <p>Failure to observe these warnings could result in severe injury or death.</p>

<b>⚠ WARNING</b>
<p>Do not dispose of batteries in a fire. They will vent fumes and may explode.</p> <p>Failure to observe this warning could result in severe injury from harmful fumes or burns from flying debris.</p>

<b>⚠ WARNING</b>
<p>Inspect tool and blades before use. Replace any worn or damaged parts. A damaged or improperly assembled tool can break and strike nearby personnel.</p> <p>Failure to observe this warning could result in severe injury or death.</p>

<b>⚠ CAUTION</b>
<ul style="list-style-type: none"> <li>• This tool is not designed for continuous use. After 100 cutting cycles, allow the cutter to cool for 15 minutes.</li> <li>• Do not place the tool in a vise. The cable cutter is designed for hand-held operation.</li> <li>• This tool may be used in damp or wet environments; however, we recommend air-drying the tool before use if it becomes soaked.</li> <li>• Use this tool for the manufacturer's intended purpose only.</li> </ul> <p>Failure to observe these precautions may result in injury or property damage.</p>

<b>IMPORTANT</b>
Do not cut ACSR or steel.

<b>⚠ CAUTION</b>
<p>Do not allow anything to contact the battery terminals.</p> <ul style="list-style-type: none"> <li>• Do not immerse the batteries in liquid. Liquid may create a short circuit and damage the battery. If batteries are immersed, contact your service center for proper handling.</li> <li>• Do not place the battery into a pocket, tool pouch, or tool box with conductive objects. Conductive objects may create a short circuit and damage the battery.</li> <li>• Do not place a battery on moist ground or grass. Moisture may create a short circuit and damage the battery.</li> </ul> <p>Failure to observe these precautions may result in injury or property damage.</p>

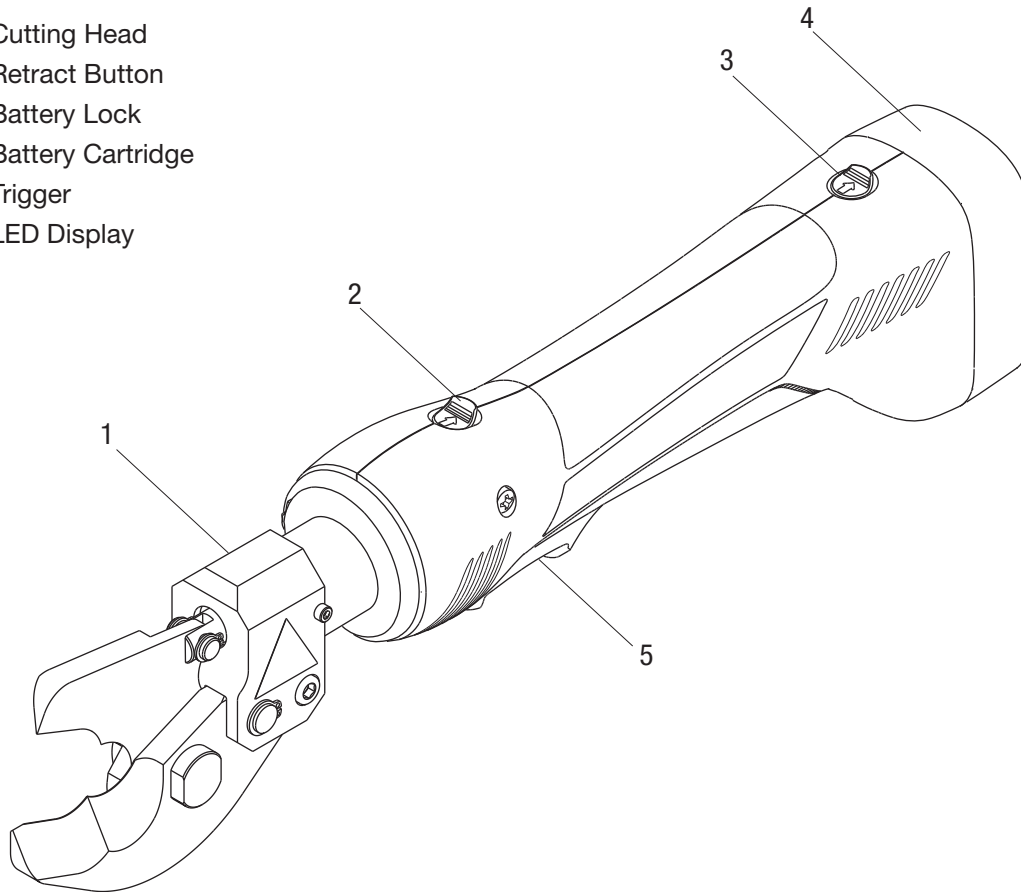
<b>⚠ CAUTION</b>
<ul style="list-style-type: none"> <li>• Do not store the battery at more than 60 °C (140 °F). Damage to the battery can result.</li> <li>• Do not use another manufacturer's charger. Other manufacturers' chargers may overcharge and damage the battery.</li> <li>• Do not attempt to open the battery. It contains no user-serviceable parts.</li> </ul> <p>Failure to observe these precautions may result in injury or property damage.</p>

<b>⚠ CAUTION</b>
<p>Do not perform any service or maintenance other than as described in this manual. Injury or damage to the tool may result.</p> <p>Failure to observe this precaution may result in injury and property damage.</p>

*Note: Keep all decals clean and legible, and replace when necessary.*

## Identification

1. Cutting Head
2. Retract Button
3. Battery Lock
4. Battery Cartridge
5. Trigger
6. LED Display



## Specifications

### Cutting Tool

Length .....	400 mm (15-3/4")
Width .....	60 mm (2-3/8")
Depth.....	108 mm (4-1/4")
Mass/Weight (with battery).....	0.8 kg (1.8 lb)
Sound Level .....	75 dB (A) at 1 meter
Vibration .....	< 2.5 m/s <sup>2</sup>
Hydraulic Oil.....	Shell Tellus® T 15

### Cutting Capacities


Maximum Cable Size with 2 cutting cycles .....	500 kcmil (MCM) (300 mm <sup>2</sup> )
(Aluminum & Copper)	
Maximum Cable Size with 1 cutting cycle .....	400 kcmil (MCM) (240 mm <sup>2</sup> )
(Aluminum & Copper)	

Average Cutting Time.....	2 seconds
Average Cuts per Charge.....	approximately 150


### Battery

Charging Voltage.....	9.6 V
Charging Time.....	45 min

## Operation

	<b>⚠ WARNING</b>
	<p>Electric shock hazard:</p> <p>This tool is not insulated. When using this unit near energized electrical lines, use proper personal protective equipment.</p> <p>Failure to observe this warning could result in severe injury or death.</p>

	<b>⚠ WARNING</b>
	<p>Wear eye protection when operating or servicing this tool.</p> <p>Failure to wear eye protection could result in serious eye injury from flying debris or hydraulic oil.</p>

	<b>⚠ WARNING</b>
	<p>Cutting hazard:</p> <ul style="list-style-type: none"> <li>Remove battery before changing dies, adapters, or jaws.</li> <li>Keep hands away from the cutting head when cutting.</li> </ul> <p>Failure to observe these warnings could result in severe injury or death.</p>

<b>⚠ CAUTION</b>
<ul style="list-style-type: none"> <li>This tool is not designed for continuous use. After 100 cutting cycles, allow the cutter to cool for 15 minutes.</li> <li>Do not place the tool in a vise. The cutting tool is designed for hand-held operation.</li> <li>This tool may be used in damp or wet environments; however, we recommend air-drying the tool before use if it becomes soaked.</li> <li>Use this tool for the manufacturer's intended purpose only.</li> </ul> <p>Failure to observe these precautions may result in injury or property damage.</p>

### Charging the Battery

Read the instructions supplied with the battery charger.

### LED Display

This tool is equipped with a special circuit board incorporating several important features to inform the user about the current status of the unit. The LED signals in the following cases:

Signal	Duration	When it occurs	What it means
● ●	a few seconds of flashing	battery insertion	self check - O.K.
■	glowing for 20 seconds	after cut	battery discharged
● ● ●	flashing for 20 seconds (2Hz)	after cut	time for inspection and preventive maintenance
■ ●	20 seconds glowing and flashing intermittently	after cut	battery discharged —time for inspection and preventive maintenance

### Cutting Cable

1. Insert the cable to be cut into the cutting head.
2. Pull the trigger to make the cut.
3. Hold the trigger down until the cutting tool achieves pressure relief, which is accompanied by an audible "pop".
4. The cutting tool returns automatically.

*Note: For some cables more than one cutting cycle may be required to complete the cut. If the cable is not fully cut during the first cycle, move the cable as close to the jaw pivot as possible and cycle the tool again.*


*Note: If it is necessary to retract the ram before a cutting cycle is completed, push the retract button. Pushing the retract button will result in the complete retraction of the ram.*

## Maintenance

### Each Operating Day


#### Before use:

1. Inspect blades for wear or damage such as cracks, gouges, or chips.
2. Inspect the tool for damage or leaks. If damage is detected, return the tool to an authorized Greenlee service center for inspection.

	<b>⚠ WARNING</b>
	<p><b>Skin injection hazard:</b></p> <p>Do not use hands to check for oil leaks. High pressure oil easily punctures skin causing serious injury, gangrene, or death. If injured, seek medical help immediately to remove oil.</p>

#### After use:

1. Wipe all tool surfaces clean with a damp cloth and mild detergent.

	<b>⚠ WARNING</b>
	<p>Do not use solvents or flammable cleaners to clean the tool body. Solvents could ignite, causing serious injury or property damage.</p>

2. Fully retract the ram. Place the tool in the carrying case. Store in a cool, dry place.
3. Charge the battery.

### Monthly

Thoroughly clean all surfaces.

### Annually or After 10,000 Cuts

Return the tool to a Greenlee Authorized Service Center for inspection.

## Troubleshooting

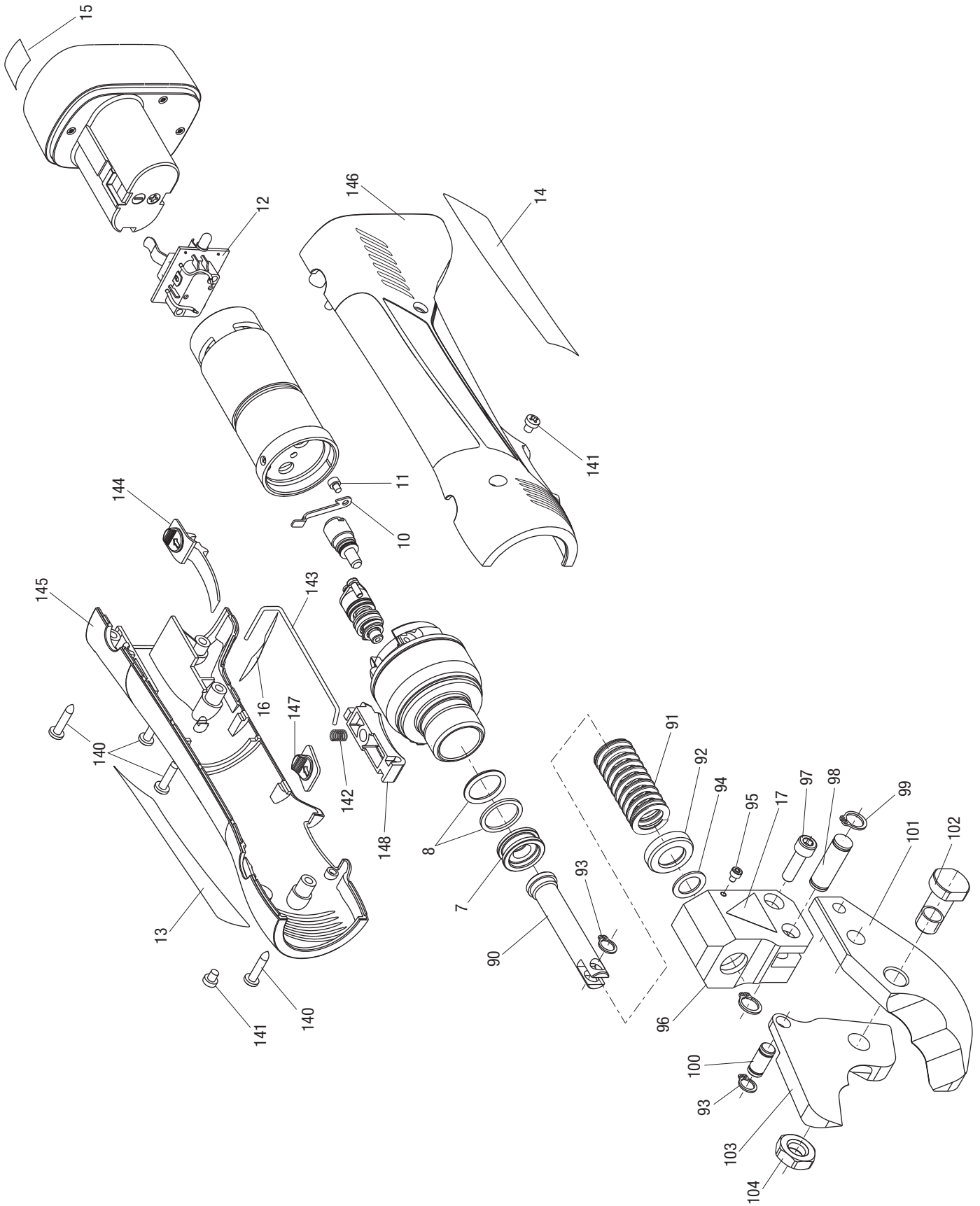
### Before You Begin

1. Make sure that the battery is charged. Recheck the battery after several minutes to make sure the battery is holding its charge.
2. Use a **nonflammable** contact cleaner or pencil eraser to clean the electrical contacts on the battery and cutting tool.
3. Reinstall the battery and check the tool again.

<b>Problem</b>	<b>Probable Cause</b>	<b>Probable Remedy</b>
Tool is inoperative.	Dirt, contaminants, etc., in ram area of tool.	Clean tool.
	Cutting tool battery contacts damaged.	Reform contacts.
	Tool components worn or damaged.	Return tool to a Greenlee Authorized Service Center.
Blades stop during operation.	Oil level is low.	Return tool to a Greenlee Authorized Service Center.
	Air in hydraulic system.	Pull trigger and hold retract button simultaneously. Hold for approximately 10 seconds.
LED glows for 20 seconds.	Battery charge low.	Charge or replace battery.
Tool loses oil.	Damaged internal seal.	Return tool to a Greenlee Authorized Service Center.

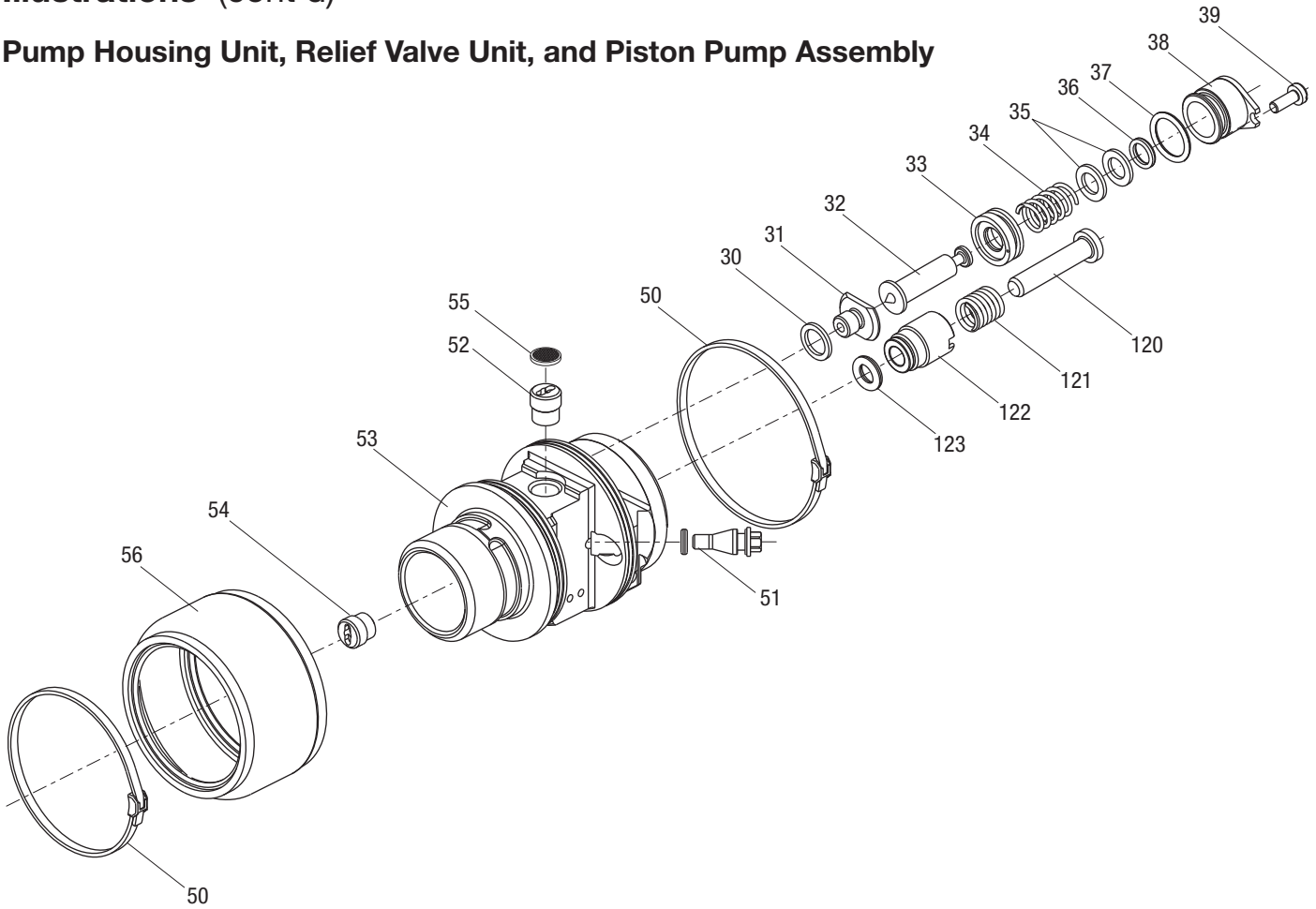


**Illustrations – Main**

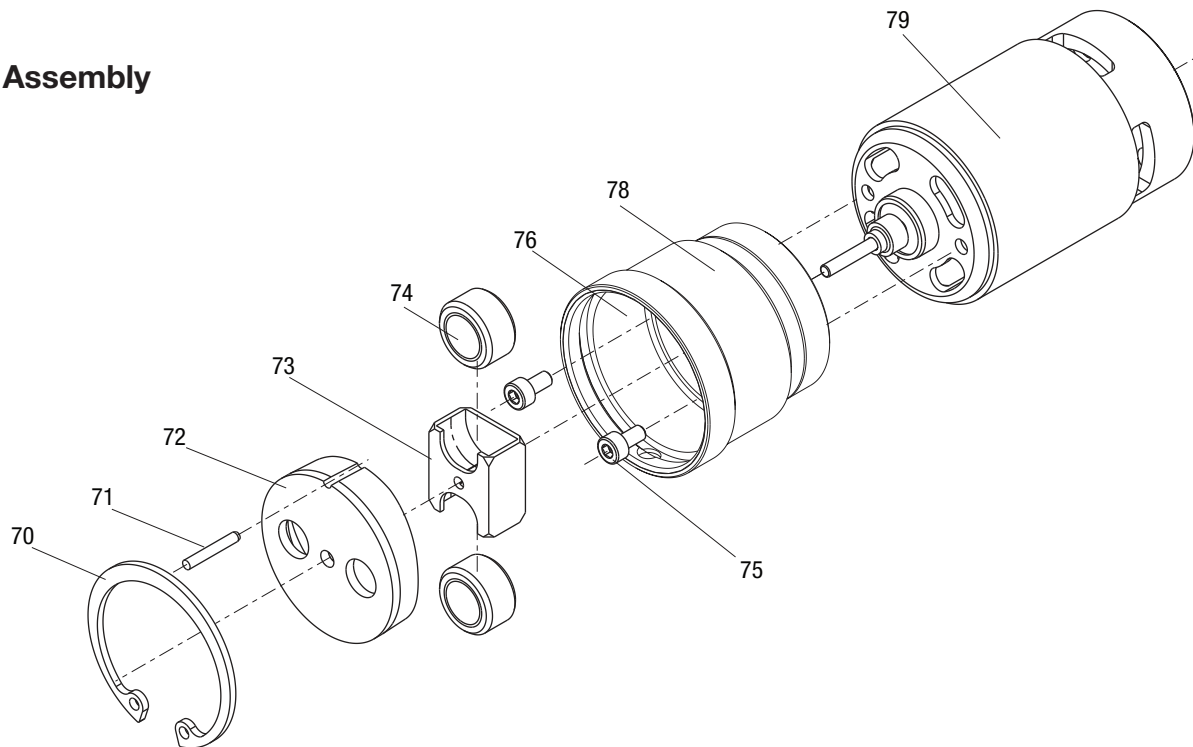


**Illustrations (cont'd)**

**Pump Housing Unit, Relief Valve Unit, and Piston Pump Assembly**



**Motor Assembly**



## Parts List

Key	Part No.	Description	Qty	Key	Part No.	Description	Qty
7	50120050	Bushing with seal.....	1		50121197	Head unit assembly (includes 90–104)	
8*		Seal.....	2	90	50121090	Piston.....	1
10	50019287	Lever, relief valve.....	1	91	50032585	Spring, coil.....	1
11	50019295	Screw.....	1	92	50019112	Washer, steel.....	1
12	52026640	Switch.....	1	93	50121014	Clip, retaining.....	2
13	50019414	Decal, Greenlee GATOR.....	1	94	50121120	Washer, steel.....	1
14	50019422	Decal, Greenlee GATOR.....	1	95	50121030	Screw.....	1
15	50019430	Decal, warning.....	1	96	50120913	Head, aluminum.....	1
16	50020285	Decal, specification.....	1	97	50121049	Screw.....	1
17	52025832	Decal, cut hazard.....	1	98	50120964	Pivot.....	1
	50018922	Relief valve unit (includes 30–39)		99	50034308	Clip, retaining.....	2
30*		Seal.....	1	100	50121057	Pivot.....	1
31	50019554	Valve seat.....	1	101	50120930	Blade, fixed.....	1
32	50019465	Needle valve.....	1	102	50120948	Bolt, pivot.....	1
33	50019546	Plunger.....	1	103	50120921	Blade, movable.....	1
34	50103776	Spring.....	1	104	50036300	Nut, hex.....	1
35	50070150	Lock washer.....	2		50018990	Piston pump assembly (includes 120–123)	
36*		O-ring.....	1	120	50019317	Piston pump.....	1
37*		O-ring.....	1	121	50019015	Spring.....	1
38	50019520	Pressure relief.....	1	122	50019309	Piston pump housing.....	1
39	50109146	Screw.....	1	123*		Piston seal.....	1
	50032399	Pump housing unit (includes 50–56)			50109430	Housing unit, green (includes 140–148)	
50	52055861	Clamp, 10 pack.....	1	140	50042076	Screw.....	4
50*		Clamp.....	2	141	50019767	Screw.....	2
51	52047933	Screw with O-ring.....	1	142	50043960	Compression spring, DA5.5 x L14.0.....	1
52	50109162	Threaded bushing.....	1	143	50019341	Link, trigger.....	1
53		Pump block.....	1	144		Lever, battery release.....	1
54	50109308	Threaded bushing.....	1	145		Housing half.....	1
55	50109316	Screen.....	1	146		Housing half.....	1
56	50019449	Reservoir.....	1	147		Button, relief valve.....	1
	50018957	Motor assembly (includes 70–79)		148		Cover, trigger.....	1
70	50019651	Retaining ring.....	1		* 50047957	Seal kit (includes items marked with an asterisk)	
71	50019589	Pin.....	1		50020196	Case with inserts	
72	50019619	Motor cap.....	1		52026638	9.6 V battery	
73	50019538	Disc housing.....	1		52020086	12 V charger 110 VAC	
74	50019627	Disc.....	2		50021800	12 V charger 220 VAC	
75	50019791	Screw.....	2		52023076	12 V charger 12 VDC	
76	50019740	Gear lube, 1.5 g.....	1				
78	50109332	Motor adapter.....	1				
79	50018965	Motor, electric.....	1				



**GREENLEE®**

A Textron Company

USA	800-435-0786	Fax: 800-451-2632
	815-397-7070	Fax: 815-397-1865
Canada	800-435-0786	Fax: 800-524-2853
International	+1-815-397-7070	Fax: +1-815-397-9247

4455 Boeing Drive • Rockford, IL 61109-2988 • USA • 815-397-7070  
An ISO 9001 Company • Greenlee Textron Inc. is a subsidiary of Textron Inc.

[www.greenlee.com](http://www.greenlee.com)