
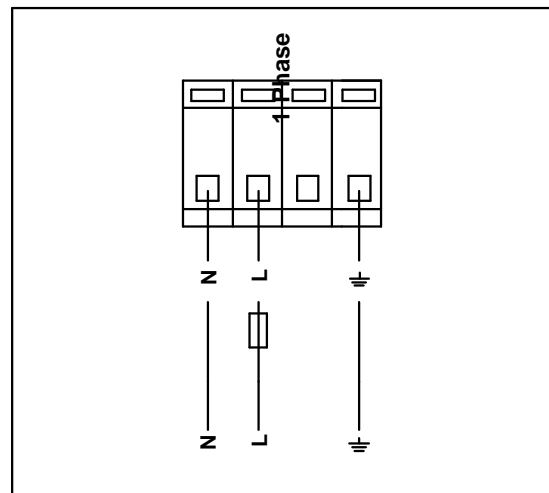
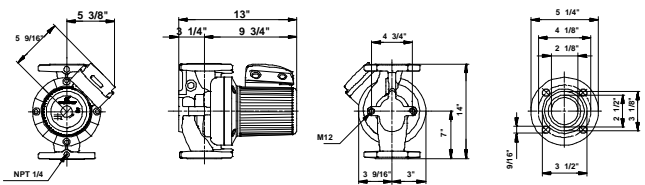
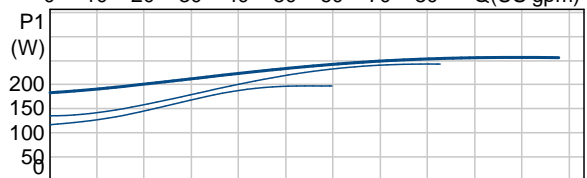
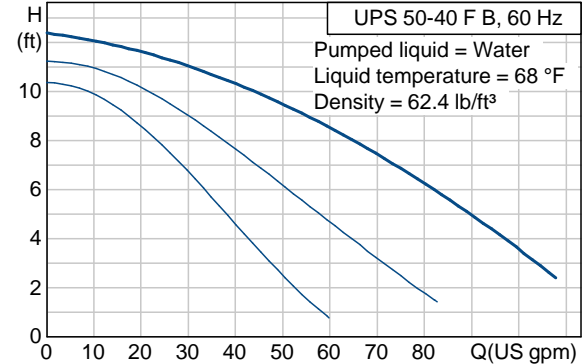




Position	Count	Description	Unit price
	-1	<p data-bbox="354 342 474 363">UPS 50-40</p> <div data-bbox="354 369 732 703" style="border: 1px solid black; padding: 5px; text-align: center;">  </div> <p data-bbox="737 676 1230 697">Product photo could vary from the actual product</p> <p data-bbox="354 735 883 873">Product No.: 96402819 The pump is of the canned rotor type, i.e. pump and motor form an integral unit without shaft seal and with only two gaskets for sealing. The bearings are lubricated by the pumped liquid.</p> <p data-bbox="354 907 870 989">In order to avoid problems in connection with disposal, great importance has been attached to using as few different materials as possible.</p> <p data-bbox="354 1020 699 1045">The pump is characterized by:</p> <ul data-bbox="391 1052 841 1276" style="list-style-type: none"> * 3-speed motor. * Ceramic radial bearings. * Carbon axial bearing. * Stainless steel rotor can, bearing plate and rotor cladding. * Aluminium alloy stator housing. * Bronze pump housing. * Stator with built-in thermal switch. <p data-bbox="354 1308 678 1333">The motor is a 1-phase motor.</p> <p data-bbox="354 1365 850 1476">The pump is supplied with a standard module in the terminal box. The standard module is to be connected to the mains supply via external contactor.</p> <p data-bbox="354 1507 461 1533">Controls:</p> <p data-bbox="354 1539 818 1564">Relay: with relay</p> <p data-bbox="354 1596 435 1621">Liquid:</p> <p data-bbox="354 1627 841 1652">Liquid temperature range: 14 .. 248 °F</p> <p data-bbox="354 1656 776 1682">Liquid temp: 68 °F</p> <p data-bbox="354 1713 477 1738">Technical:</p> <p data-bbox="354 1745 857 1770">Actual calculated flow: 51.4 US gpm</p> <p data-bbox="354 1774 786 1799">Resulting head of the pump: 9.38 ft</p> <p data-bbox="354 1803 797 1829">Maximum operating pressure: 145 psi</p> <p data-bbox="354 1833 764 1858">Approvals on nameplate: CUL</p>	On request

Position	Count	Description	Unit price
		<p>Materials:</p> <p>Pump housing: Bronze DIN W.-Nr. 2.1176.01</p> <p>Impeller: Stainless steel DIN W.-Nr. 1.4301 AISI 304</p> <p>Installation:</p> <p>Range of ambient temperature: 32 .. 104 °F Maximum operating pressure: 145 psi Flange standard: USA Type of connection: F Pipe connection: 50 Pressure stage: 145 psi Port-to-port length: 14" mm</p> <p>Electrical data:</p> <p>Power input in speed 1: 204 W Power input in speed 2: 244 W Max. power input: 285 W Main frequency: 60 Hz Rated voltage: 1 x 115 V Current in speed 1: 2.2 A Current in speed 2: 2.6 A Current in speed 3: 2.66 A Cos phi in speed 1: 0,81 Cos phi in speed 2: 0,82 Cos phi: 0,93 Capacitor size - run: 30 µF/400 V Enclosure class (IEC 34-5): X4D Insulation class (IEC 85): F</p> <p>Others:</p> <p>Net weight: 54.2 lb Gross weight: 61.1 lb Shipping volume: 2.08 ft³</p>	

Description	Value
Product name:	UPS 50-40 F B
Product Number:	96402819
EAN number:	5700390682606
Technical:	
Speed Number:	3
Actual calculated flow:	51.4 US gpm
Resulting head of the pump:	9.38 ft
Head max:	13.1 ft
Maximum operating pressure:	145 psi
Approvals on nameplate:	CUL
Model:	C
Materials:	
Pump housing:	Bronze DIN W.-Nr. 2.1176.01
Impeller:	Stainless steel DIN W.-Nr. 1.4301 AISI 304
Installation:	
Range of ambient temperature:	32 .. 104 °F
Maximum operating pressure:	145 psi
Flange standard:	USA
Type of connection:	F
Pipe connection:	50
Pressure stage:	145 psi
Port-to-port length:	14" mm
Liquid:	
Liquid temperature range:	14 .. 248 °F
Liquid temp:	68 °F
Electrical data:	
Power input in speed 1:	204 W
Power input in speed 2:	244 W
Max. power input:	285 W
Main frequency:	60 Hz
Rated voltage:	1 x 115 V
Current in speed 1:	2.2 A
Current in speed 2:	2.6 A
Current in speed 3:	2.66 A
Cos phi in speed 1:	0,81
Cos phi in speed 2:	0,82
Cos phi:	0,93
Capacitor size - run:	30 µF/400 V
Enclosure class (IEC 34-5):	X4D
Insulation class (IEC 85):	F
Motor protection:	CONTACT
Thermal protec:	internal
R a:	6.55 - 8.55 ohm
R s1:	1.12 - 2.8 ohm
R s2:	4.3 - 5.65 ohm
Controls:	
Relay:	with relay
Pos term box:	1.30H
Others:	
Net weight:	54.2 lb
Gross weight:	61.1 lb

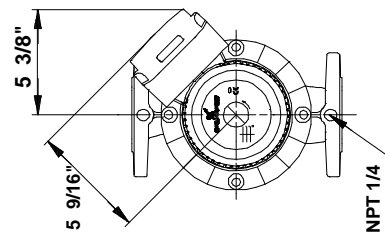
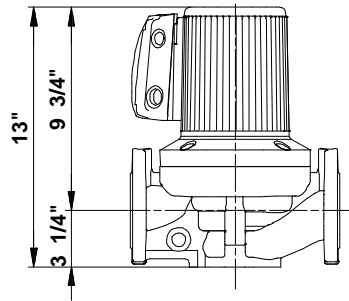
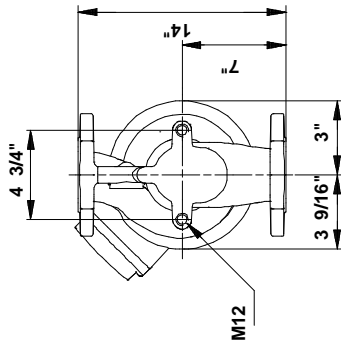
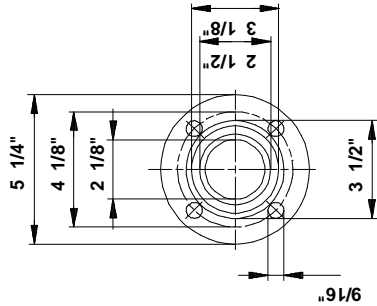




Company name: -
Created by: -
Phone: -
Fax: -
Date: -

Description	Value
Shipping volume:	2.08 ft ³
Sales region:	Namreg

96402819 UPS 50-40 F B 60 Hz



Note! All units are in [mm] unless others are stated.
 Disclaimer: This simplified dimensional drawing does not show all details.