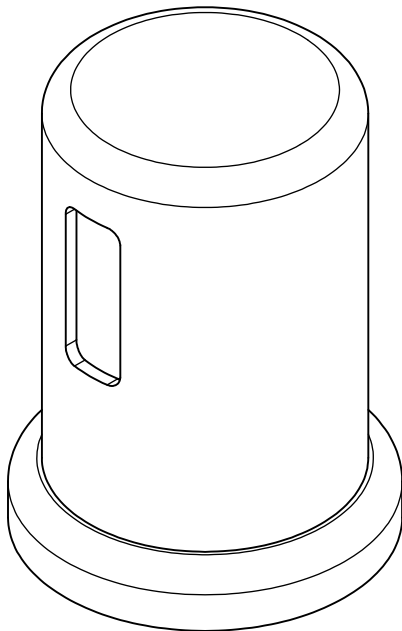
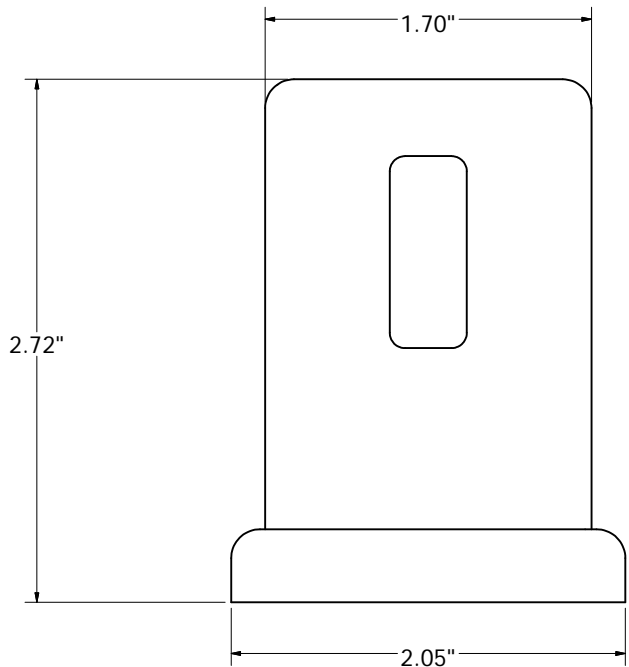
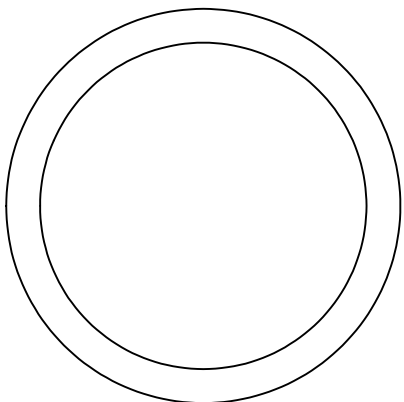


DECORATIVE AIR GAP COVER



- MANUFACTURED OF CELCON WILL NOT CRACK, CHIP, OR PEEL
- REPLACES CHROME COVER ON MOST AIR GAPS
- BLISTER CARD PACKAGING



PHONE NUMBER
1-800-355-6637
 FAX NUMBER
1-800-462-6991
 SCALE: 2 : 1 DATE: 8-26-11
 SHEET
1 OF 1
 DRAWN BY
ASHLEY KRALOVEC

PART NO.	A10002	A10003	A10004	A10005	A10006	
FINISH	POLAR WHITE	EURO WHITE	BISCUIT	ALMOND	BLACK	